

## FITTING INSTRUCTIONS

### WARNING:

Before you begin installation, read all instructions thoroughly.  
Proper tools will improve the quality of installation and reduce the time required.

- This product should be installed as demonstrated in the *Product «Fitting Instructions»*;
- The specified parts, will only fit the models specified by **AFN**;
- Do not modify any component of the product;
- It is recommended that this product is installed by specialized and trained personnel;
- AFN doesn't take responsibility for changes made in the vehicle by its manufacturer;
- Work safely and use specialized tools at all times;
- **Always use protective gear.**

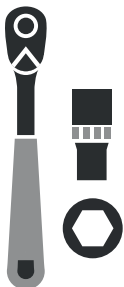


Size	Torque Nm	Torque lbft
M6	9 Nm	7 lbft
M8	22 Nm	16 lbft
M10	44 Nm	32 lbft
M12	77 Nm	57 lbft

### Mouting Time

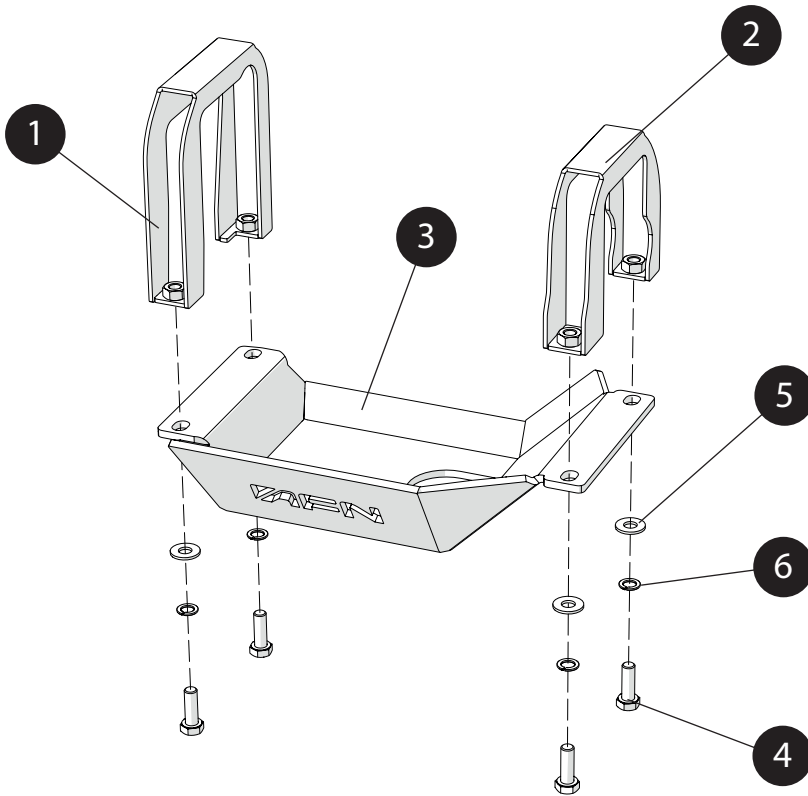
- 30 min
- 1 person (recommended)

### Tools Required



- Ratchet wrench

**STEP1 - FITTING AFN LED LIGHTS**



NUMBER	REF	QUANTITY
1	47001006	1x
2	47001005	1x
3	46003383	1x
4	45000007	4x
5	45000039	4x
6	45000222	4x

Fit both Protection Brackets(1) and (2) in the vehicle.

Then, fit the Front Axle Protection(3) using 4x Bolts M10x30(4) with 4x Lock Washers M10 (6) and 4x Washers M10(5).

Once everything is ok, **give the final torque.**