

Checklist:

NUMBER	DESCRIPTION	REFERENCE	QTY
1	Rear Bumper Toyota LC 78	48001012	1x
2	Right Bracket for Rear Bumper LC 79	46004359	1x
3	Left Bracket for Rear Bumper LC 79	46004360	1x
4	Nylock Nut M8	45000018	4x
5	Washer M12	45000036	4x
6	Washer M10	45000039	10x
7	Washer M8	45000048	8x
8	Bolt M8x20	45000058	4x
9	Bolt M10x30	45000070	4x
10	Bolt M10x25	45000247	6x
11	Bolt M12x35	45000315	4x

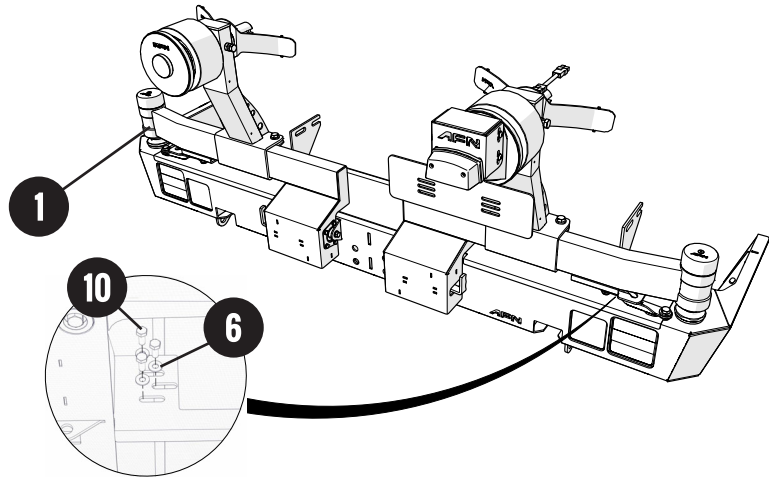
Fitting the AFN Rear Step

Installation

Once the OEM* Bumper is removed start by fitting the **AFN Rear Bumper(1)** on the vehicle.

Use 3x Bolts M10x25(**10**) with 3x Washers M10(**6**).

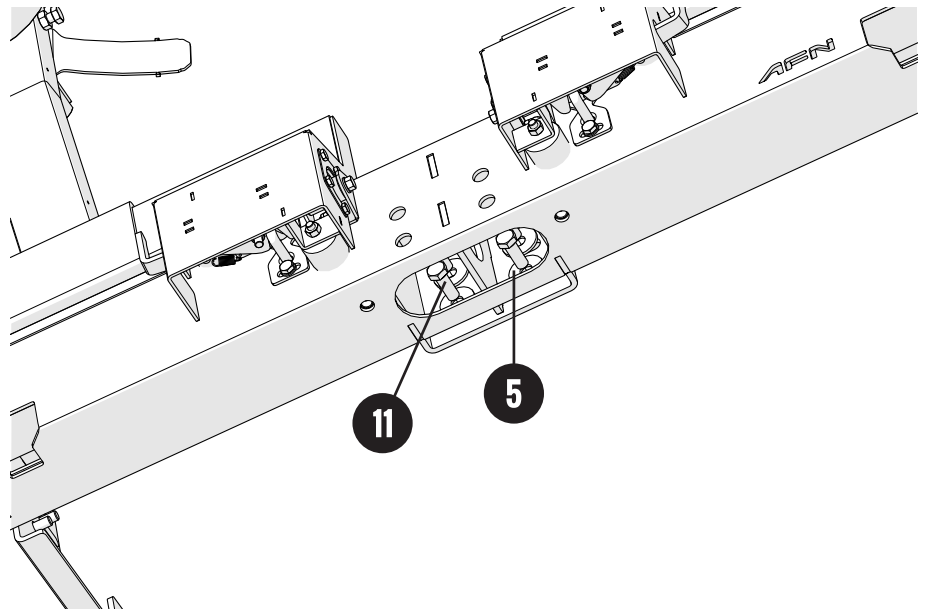
Just finger tight both bolts
Do Not tighten yet.



Then, fit rear part of the **AFN Rear Bumper(1)** in the vehicle.

Use 4x Bolts M12x35(**11**) with 4x Washers M12(**5**).

Just finger tight both bolts
Do Not tighten yet.



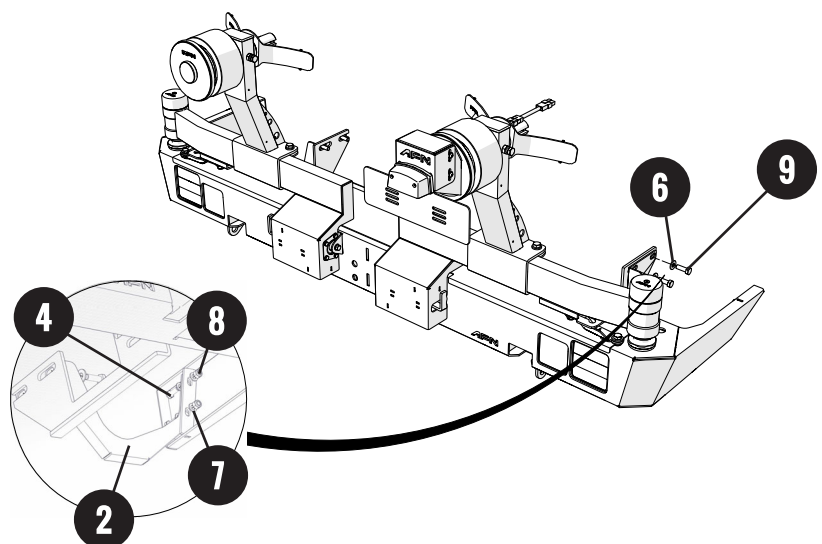
Once that is done, fit **Right Bracket(2)** in the **AFN Rear Bumper(1)**.

On the inner side use 2x Bolts M10x30(**9**), with 2x Washers M10(**6**).

On the outer side use 2x Bolts M8x20(**8**) with 4x Washers M8(**7**) and 2x Nylock Nuts M8(**4**)

Repeat this step for the other side of using **Left Bracket(3)**.

Once everything is correctly aligned
Give the final torque.



*OEM - Original Equipment Manufacturer