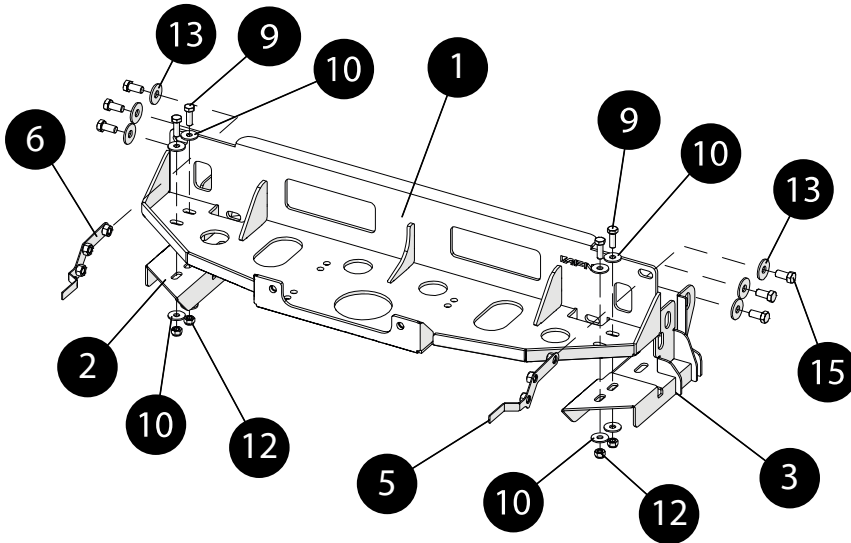
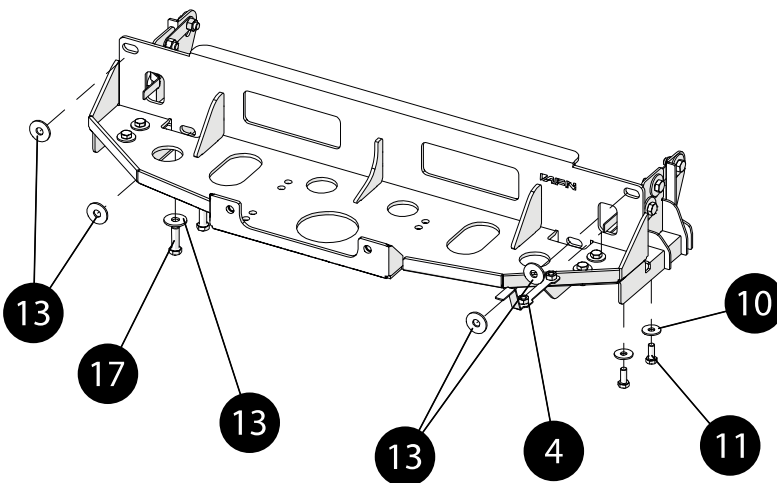


STEP1 - FITTING WINCH BRACKET



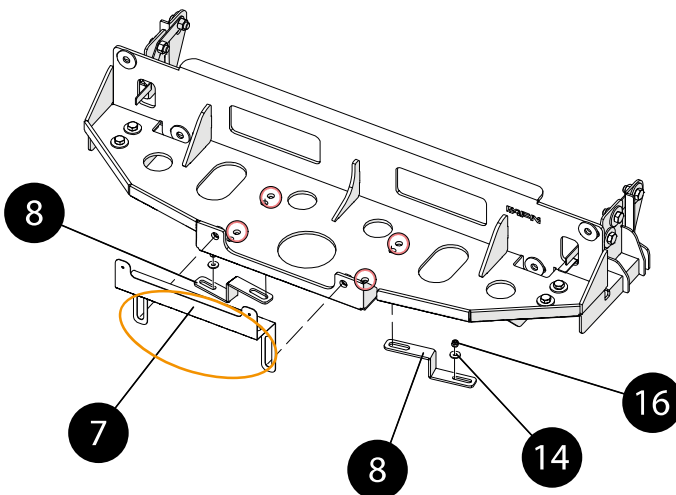
NUMBER	REF	QUANTITY
1	47001741	1x
2	47001742	1x
3	47001743	1x
5	47001745	1x
6	47001746	1x
9	45000007	2/each side
10	45000010	4/ each side
12	45000017	2/ each side
13	45000036	3/ each side
15	45000065	3/ each side

STEP2 - FITTING WINCH BRACKET TO THE REINFORCEMENTS



NUMBER	REF	QUANTITY
4	47001744	1x
10	45000010	2x
11	45000015	2x
13	45001029	6x
17	45000361	2x

STEP3 - FITTING WINCH IN AFN WINCH BRACKET



NUMBER	REF	QUANTITY
7	46002990	1x
8	46006532	1/ each side
14	45000044	1/ each side
16	46008090	1/ each side

The red circles are destined to the Winch. Please use the Winch's bolts.

In the **License Plate Holder(7)**, also use the Winch's Bolts aswell.

Both parts number(8), will secure the OEM Protection to the Winch Bracket(1).

The orange area shows, what you have to take in consideration when trimming the OEM Bumper.