

CRAFTED LIKE NO OTHER

DON'T JUST SETTLE
FOR THE SAME
OLD BULL



OWNER MANUAL

NISSAN

Navara NP300 2015+



WELCOME TO THE AFN FAMILY

This manual contains the Nissan Navara NP300 +2015 fitting instructions for:
Bullbar Ref.: 48002320 Front Bumper Ref.: 48002319

1 INTRODUCTION



The Company

Founded in 1995, AFN - 4x4 Accessories dedicates itself to the production and commerce of all-terrain accessories. Its constant concern in its customers total satisfaction, and in the ideals of innovation and transformation have granted a position of notability both in the national and international panorama.

The only company in Portugal in the mass production of 4x4 accessories, relies on specialized and experienced technicians, with the most adequate knowledge, to an efficient response capability to its customers demands.

Thanks to the specialization in the several areas of design and manufacture and to a constant investment in technology, AFN has been broadening its wide range of products, without ever neglecting the quality factor.

4x4 Accessories

In its diversity of products we can include, with all-terrain quality, protection, safety and aesthetic accessories.

And it is here that AFN invest on the best technology, the best cut precision of the raw material, and the transformation of products with the quality recognized in the marketplace.

AFN has, at its disposal, resources to test and analyse the resistance of its products and stands in the front row regarding the European homologation of materials dedicated to all terrain.

The contact with the most important test laboratories for vehicles, both in England, Spain and Germany, provides AFN with the know-how to manufacture a wide range of quality products.

Our Design Approach

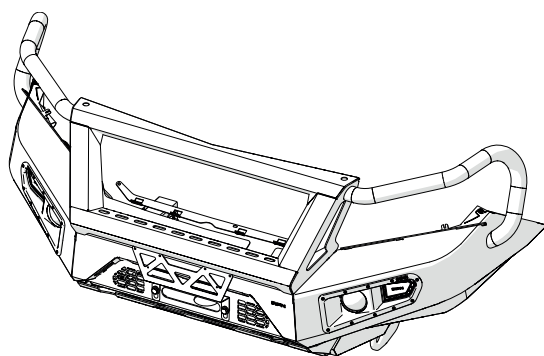
AFN designs each accessory taking into consideration the original model lines and fitting points. We refuse to have a "one design fits all" solution and we are always looking forward to embrace new challenges on how to adjust a new product into a new model!

The days of just throwing on a bit of steel together to form a protection system are gone. AFN is leading the way modern vehicle protection components are manufactured. Other will follow, and it won't be long where the AFN approach to Styling, Fit, Form and Function will become the benchmark for all other manufacturers.





INDEX



AFN 4x4 Accessories

Product: **Front Bumper**
Part Ref.: **48002319**

Product: **Bullbar**
Part Ref.: **48002320**

Introduction 2

1 Checklist 4
Product 48002320

2 Fitting Instructions 6

3 NAVARA NP300 Catalogue 23

4 Warranty Terms 24

5 AFN 4x4 Partners 25

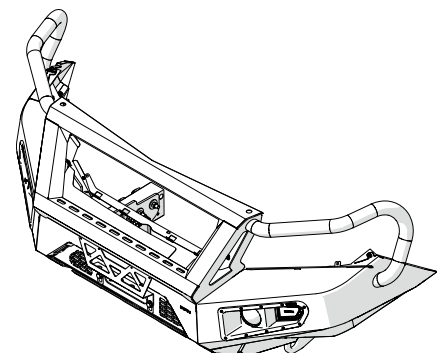


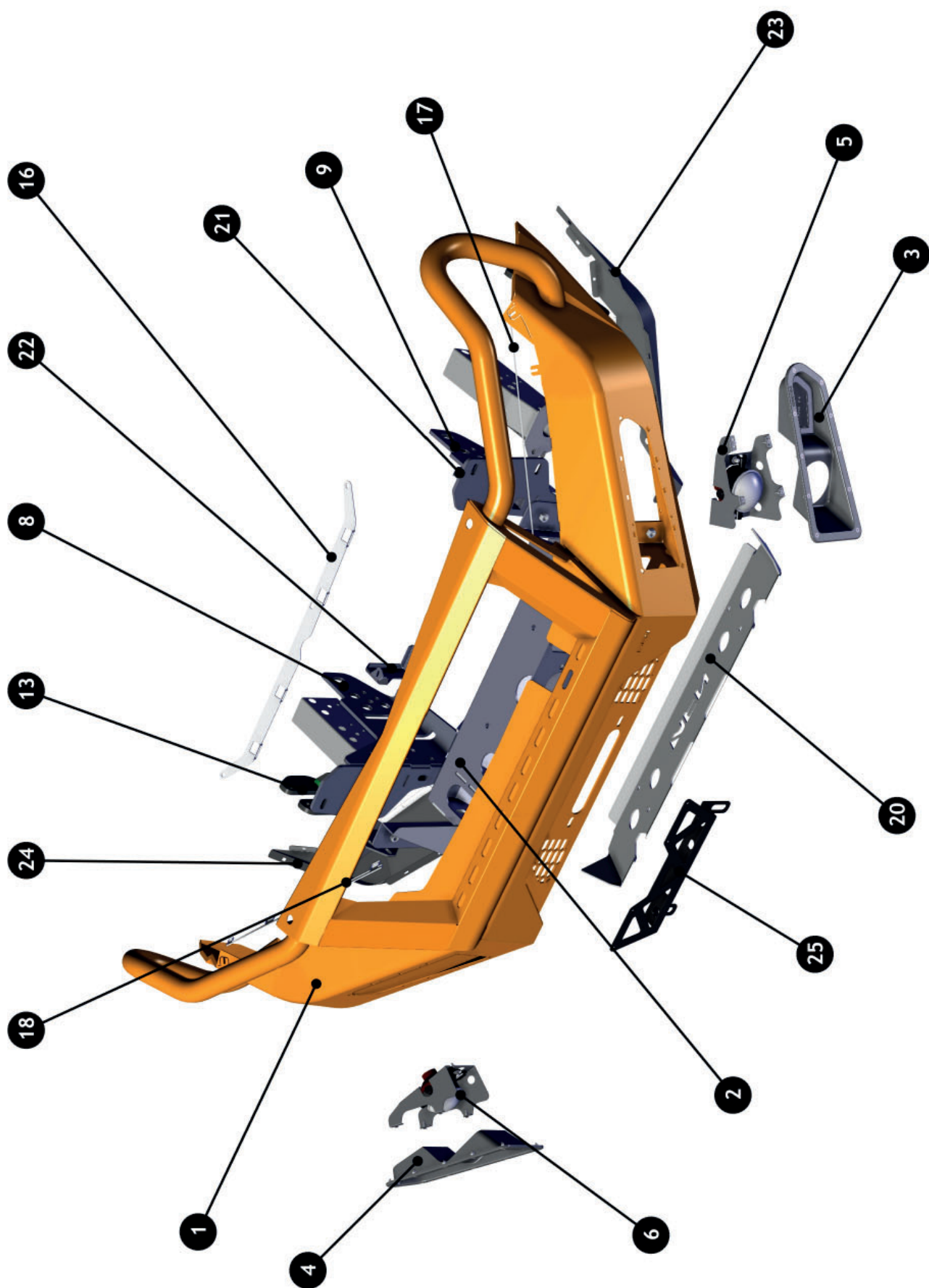
1 CHECKLIST

- In this section you have a checklist with all parts included for the installation of your AFN product
- This product should be installed as demonstrated in the product fitting instructions
- If verified that any component is damaged, please contact your nearest AFN distributor
- The specified parts will only fit in the models specified by AFN
- Do not modify any component of the product

This checklist is for product **48002320**.

NUMBER	DESCRIPTION	REFERENCE	QTY	NUMBER	DESCRIPTION	REFERENCE	QTY
1	Bullbar Navara NP300	47001844	1x	29	Nylock Nut M10	45000017	12x
2	Winch Bracket - NP300	47001846	1x	30	Nylock Nut M8	45000018	2x
3	AFN Led Lights - Mask (Left Side)	48002544	1x	31	Washer M12	45000036	30x
4	AFN Led Lights - Mask (Right Side)	48002545	1x	32	Bolt M12x30	45000037	12x
5	Aluminium Bracket w/ Fog Light (Left Side)	48002579	1x	33	Washer M10	45000039	8x
6	Aluminium Bracket w/ Fog Light (Right Side)	48002580	1x	34	Bolt M6x20	45000043	3x
7	Double Nut Plate M12	47001943	1x	35	Washer M6	45000050	6x
8	Winch Reinforcement (Right Side)	47001847	1x	36	Bolt M8x20	45000058	2x
9	Winch Reinforcement (Left Side)	47001848	1x	37	Nylock Nut M12	45000066	10x
10	Reinforcement (Right Side)	47001853	1x	38	Bolt M12x35	45000067	4x
11	Reinforcement (Left Side)	47001854	1x	39	Bolt M10x35	45000069	8x
12	Recovery Point (Left Side)	47001942	1x	40	Nylock Nut M6	45000074	3x
13	Recovery Point (Right Side)	47001941	1x	41	Bolt M12x120x35	45000201	4x
14	Side Winch Bracket Shim 2mm thickness	46007392	2x	42	Bolt M12x40	45000267	2x
15	Side Winch Bracket Shim 4mm thickness	46007391	2x	43	Bolt M5x15	45000273	8x
16	Grill Bracket	46007191	1x	44	Side Rubber 30cm	45000502	2x
17	Headlight Rubber's Bracket (Left Side)	46007047	1x	45	Washer M6	45000931	10x
18	Headlight Rubber's Bracket (Right Side)	46007046	1x	46	Nylock Nut M5	45000946	8x
19	Square Nut M12	46007001	4x	47	Bolt M10x25	45000956	4x
20	Front Skid Plate	46006985	1x	48	Washer M12	45000995	2x
21	Intercooler Bracket (Left Side)	46006976	1x	49	Bolt M6x20	45000998	10x
22	Intercooler Bracket (Right Side)	46006975	1x	50	Washer M5	45001002	16x
23	Left Flap	46006974	1x	51	Cage Nut M6	45001012	10x
24	Right Flap	46006973	1x	52	Bolt M12x30	45001027	2x
25	Plate Bracket	46005518	1x	53	Headlight Rubber 55cm	45001053	2x
26	Bolt M10x30	45000007	4x	54	Plastic Nut	45001113	8x
27	Washer M10	45000010	16x	55	Bolt M3,5x16	45001123	8x
28	Washer M8	45000011	4x				





2 FITTING INSTRUCTIONS

WARNING:

Before you begin installation, read all instructions thoroughly.
Proper tools will improve the quality of installation and reduce the time required.

- This product should be installed as demonstrated in the *Product «Fitting Instructions»*;
- The specified parts, will only fit the models specified by **AFN**;
- Do not modify any component of the product;
- It is recommended that this product is installed by specialized and trained personnel;
- AFN doesn't take responsibility for changes made in the vehicle by its manufacturer;
- Work safely and use specialized tools at all times;
- **Always use protective gear.**

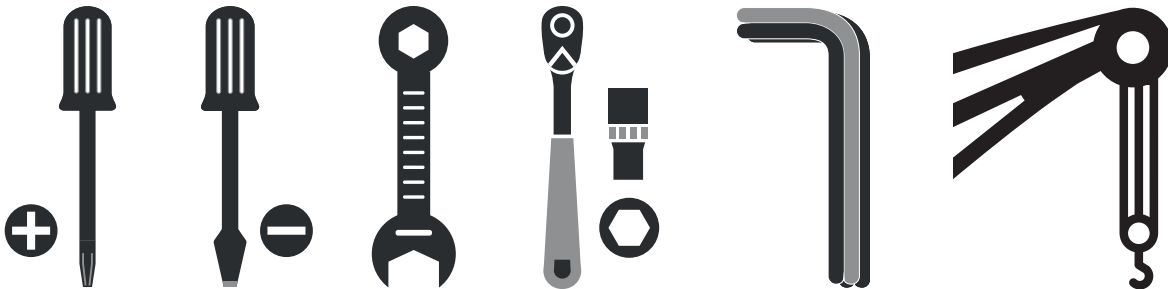


Size	Torque Nm	Torque lbft
M6	9 Nm	7 lbft
M8	22 Nm	16 lbft
M10	44 Nm	32 lbft
M12	77 Nm	57 lbft

Mouting Time

- 4 hours
- 2 persons (recommended)

Tools Required



- Screwdriver star head
- Screwdriver flat head
- Wrench
- Ratchet wrench
- Allen wrench
- Crane

Step 1 - Remove the OEM* Bumper

Remove the *OEM** front bumper just as specified by the vehicle manufacturer in your maintenance manual.

In order to be perfect, some adjustments needs to be done in the grill so, remove it aswell.

Be careful so you don't break the fasteners on the grill.



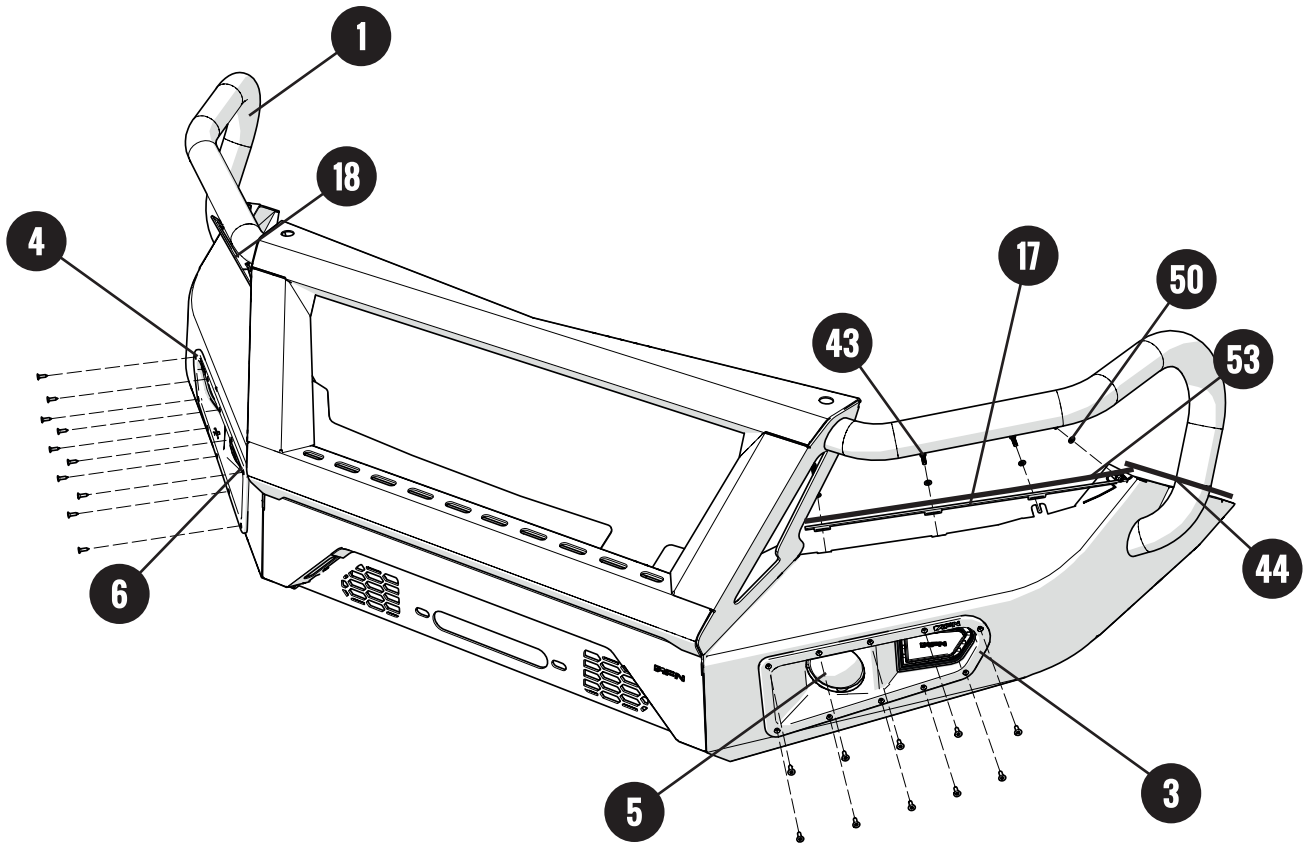
Once that is done, remove the **OEM RECOVERY POINT*.

*(Be aware that you must save all *OEM bolts and nuts.)*

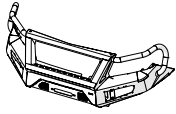
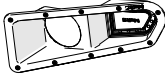
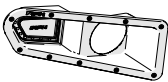
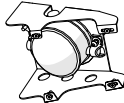
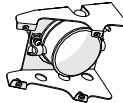
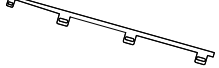
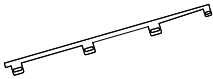
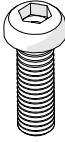
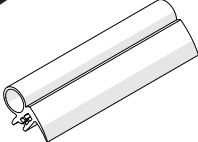
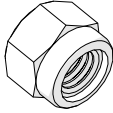
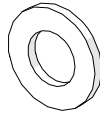



Step 2 - Preparation of the AFN Bullbar/Front Bumper

Preview



Parts needed:

- | | | | | | |
|------------------------------------------------------------------------------------------------------|------------------------------------------------------------------------------------------------------|------------------------------------------------------------------------------------------------------|------------------------------------------------------------------------------------------------------|--------------------------------------------------------------------------------------------------------|--------------------------------------------------------------------------------------------------------|
| <p>1</p>  | <p>3</p>  | <p>4</p>  | <p>5</p>  | <p>6</p>  | <p>17</p>  |
| <p>x1 Bullbar Navara NP300</p> | <p>x1 AFN Led Lights - Mask Left Side</p> | <p>x1 AFN Led Lights - Mask Right Side</p> | <p>x1 Aluminium Bracket Left Side</p> | <p>x1 Aluminium Bracket Right Side</p> | <p>x1 Headlight Rubber's Bracket Left Side</p> |
| <p>18</p>  | <p>43</p>  | <p>44</p>  | <p>46</p>  | <p>50</p>  | <p>53</p>  |
| <p>x1 Headlight Rubber's Bracket Right Side</p> | <p>x8 Bolt M5x15</p> | <p>x2 Side Rubber 30mm</p> | <p>x8 Nylock Nut M5</p> | <p>x16 Washer M5</p> | <p>x2 Headlight Rubber 50mm</p> |

Step 2 - Preparation of the AFN Bullbar/Front Bumper

Installation

ATTENTION!

The following step **only applies if the AFN LED Lights are not mounted**, or if by any case there is a need to **dismount it. Proceed to next Step.**

Before inserting the **AFN Bullbar | Front Bumper(1)** on the vehicle there are some details that we advise to do first (so, place it on a flat working surface).

Take on the Left AFN Led Lights Mask(3) and fit it into the **AFN Bullbar | Front Bumper(1)** using 10x Bolts M4x16 (**They go with AFN LED Light kit**).

Plase be in mind that there is no need to overtight these bolts, because the rubber masks will be crushed causing an unpleasant look.

Repeat this step for the other side with Right AFN Led Lights Mask(4) using 10x Bolts M4x16(**They go with AFN LED Light kit**).

If you done it correctly it should look like the image on the right.

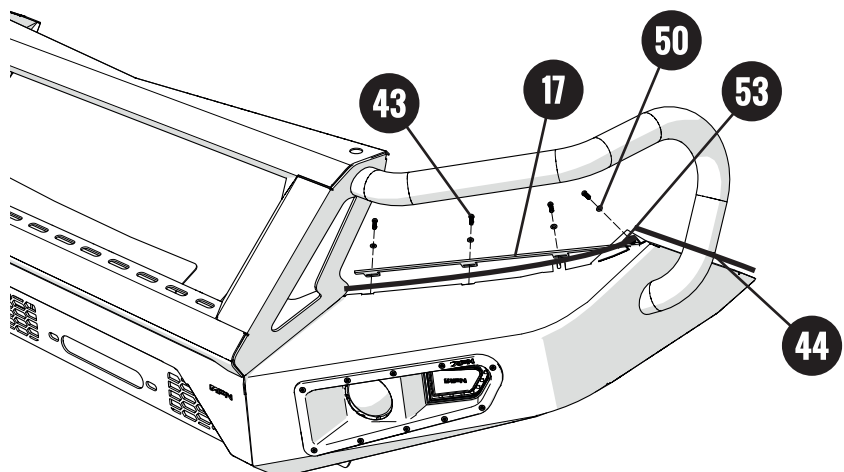
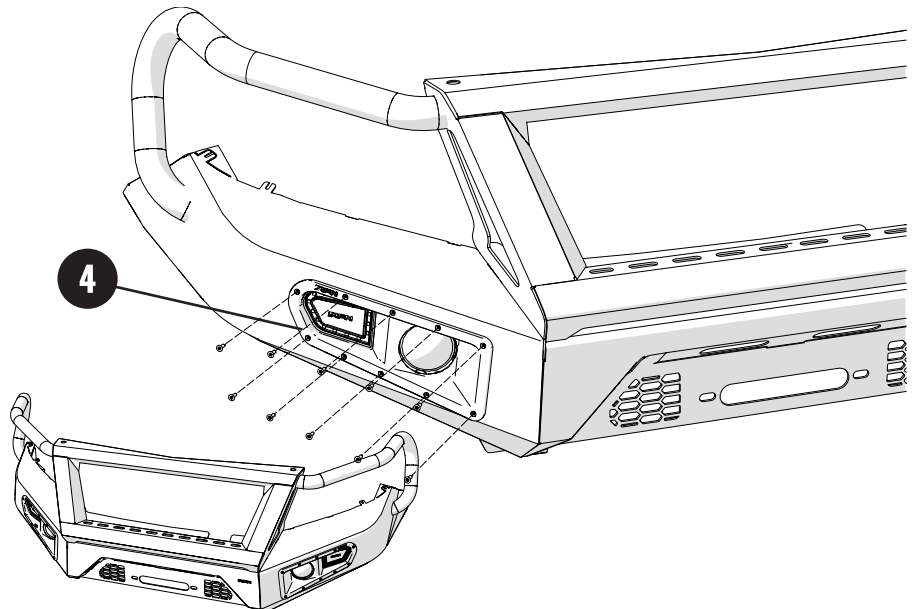
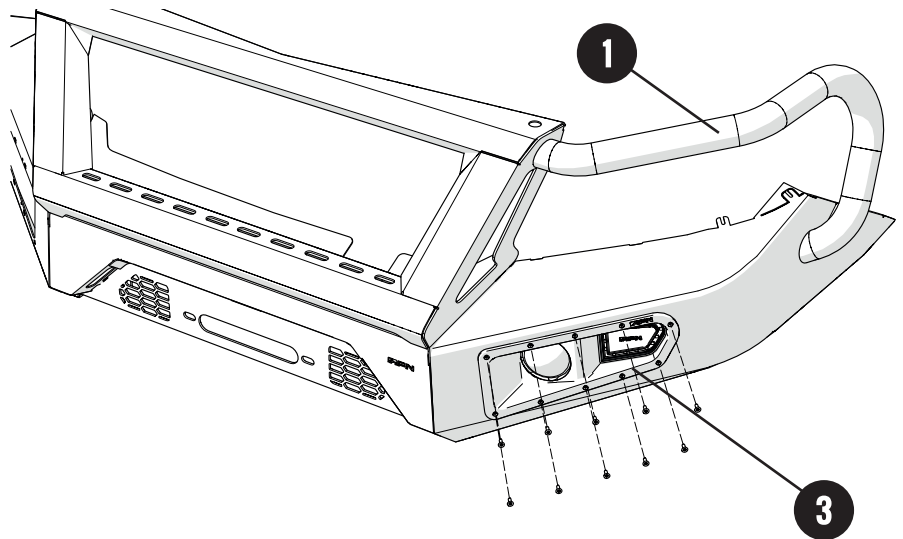
Once that is done, take on Left Rubber Bracket(17) and fit it into **AFN Bullbar | Front Bumper(1)**.

Use 4x Bolts M5x15(43) with 8x Washers M5(50) and 4x Nylock Nuts M5(46).

Fit the Headlight Rubber(53) and Side Rubber(44) in the Left Rubber Bracket(17).

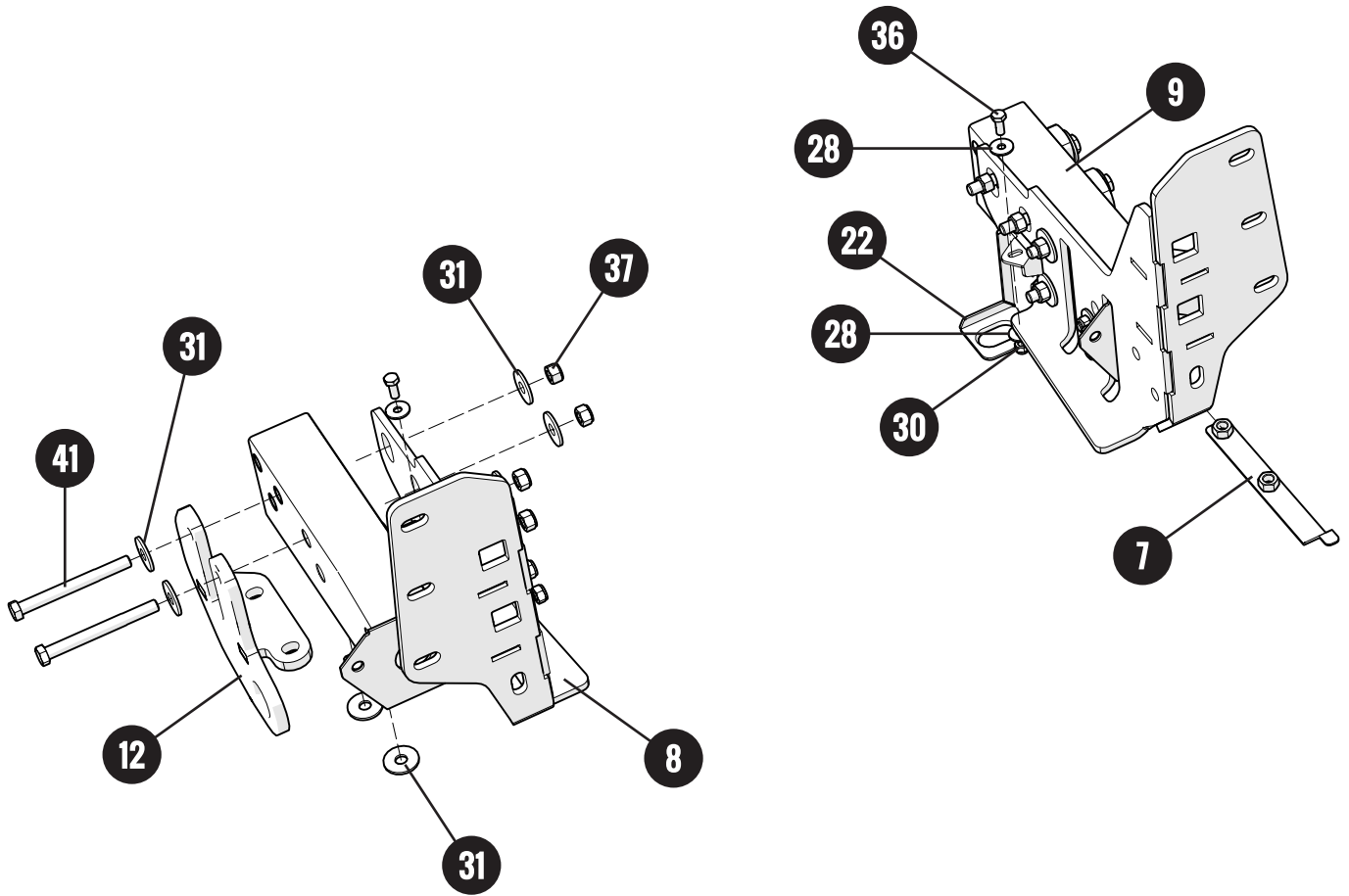
Repeat this step for the other side on Right Rubber Bracket(18).

Once everything is correctly fitted, **Give the final torque on all bolts.**



Step 3 - Fitting the Winch Reinforcements on Vehicle

Preview



Parts needed:

- | | | | | | |
|-----------------------------------|-----------------------------------|----------------------------------|-----------------------------|------------------------------|----------------------------------|
| | | | | | |
| x1 Double Nut Plate M12 | x1 Winch Reinforcement Right Side | x1 Winch Reinforcement Left Side | x1 Recovery Point Left Side | x2 Recovery Point Right Side | x1 Intercooler Bracket Left Side |
| | | | | | |
| x1 Intercooler Bracket Right Side | x4 Washer M10 | x8 Washer M8 | x4 Nylock Nut M10 | x2 Nylock Nut M8 | x20 Washer M12 |
| | | | | | |
| x2 Bolt M8x20 | x8 Nylock Nut M12 | x4 Bolt M12x35 | x4 Bolt M10x35 | x4 Bolt M12x140x35 | x2 Bolt M12x40 |

Step 3 - Fitting the Winch Reinforcements on Vehicle

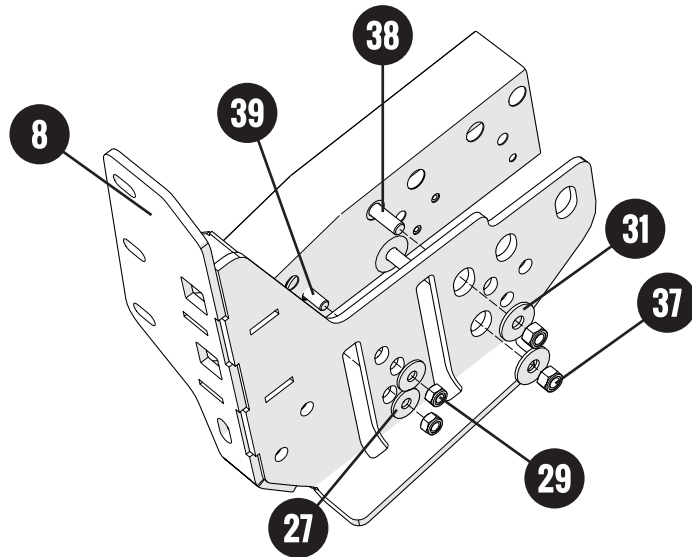
Installation

Take on **Right Winch Reinforcement(8)** and fit it into the vehicle, using 2x Bolts M10x35(**39**) with 4x Washers M10(**27**) and 2x Nylock Nuts M10(**29**).

Then, fit the rear part of **Right Winch Reinforcement(8)** using 2x Bolts M12x35(**38**) with 4x Washers M12(**31**) and 2x Nylock Nuts M12(**37**).

Just finger tight all bolts

Do Not tighten yet.



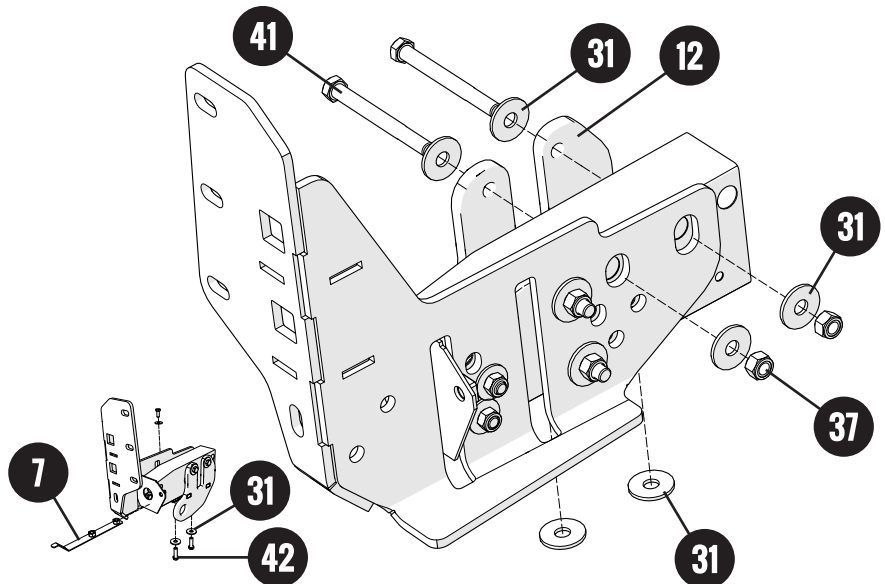
Once that is done, take on **Left Recovery Point(12)** and fit it into the vehicle.

Use 2x Bolts M12x120x35(**41**) with 4x Washers M12(**31**) and 2x Nylock Nuts M12(**37**).

On the bottom of the **Left Recovery Point(12)**, reuse the *OEM Bolts with 2x Washers M12(**31**).

Just finger tight all bolts

Do Not tighten yet.



For the other side, use Double Nut Plate(**12**), with 2x Bolts M12x40(**42**) with 2x Washers M12(**31**).

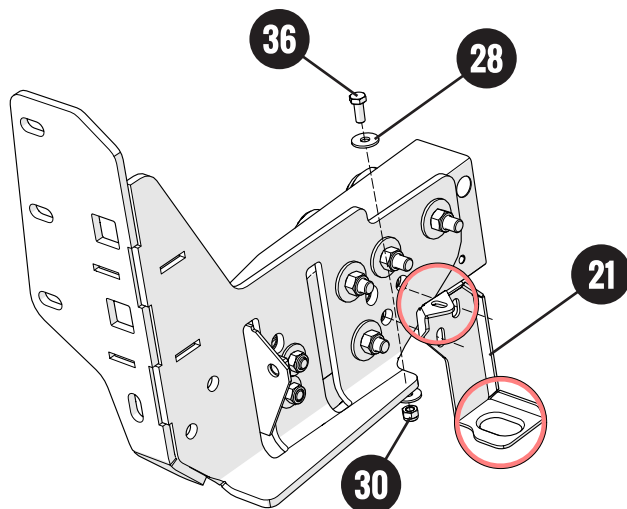
Then, take on the supplied **Intercooler Bracket(21)** and fit it in the inner side of the **Right Reinforcement(8)**.

Using 1x Bolt M8x20(**36**) with 2x Washers M8(**38**) and 1x Nylock Nut M8(**30**).

Please note that the red circles are meant for the *OEM rubbers.

Just finger tight all bolts

Do Not tighten yet.

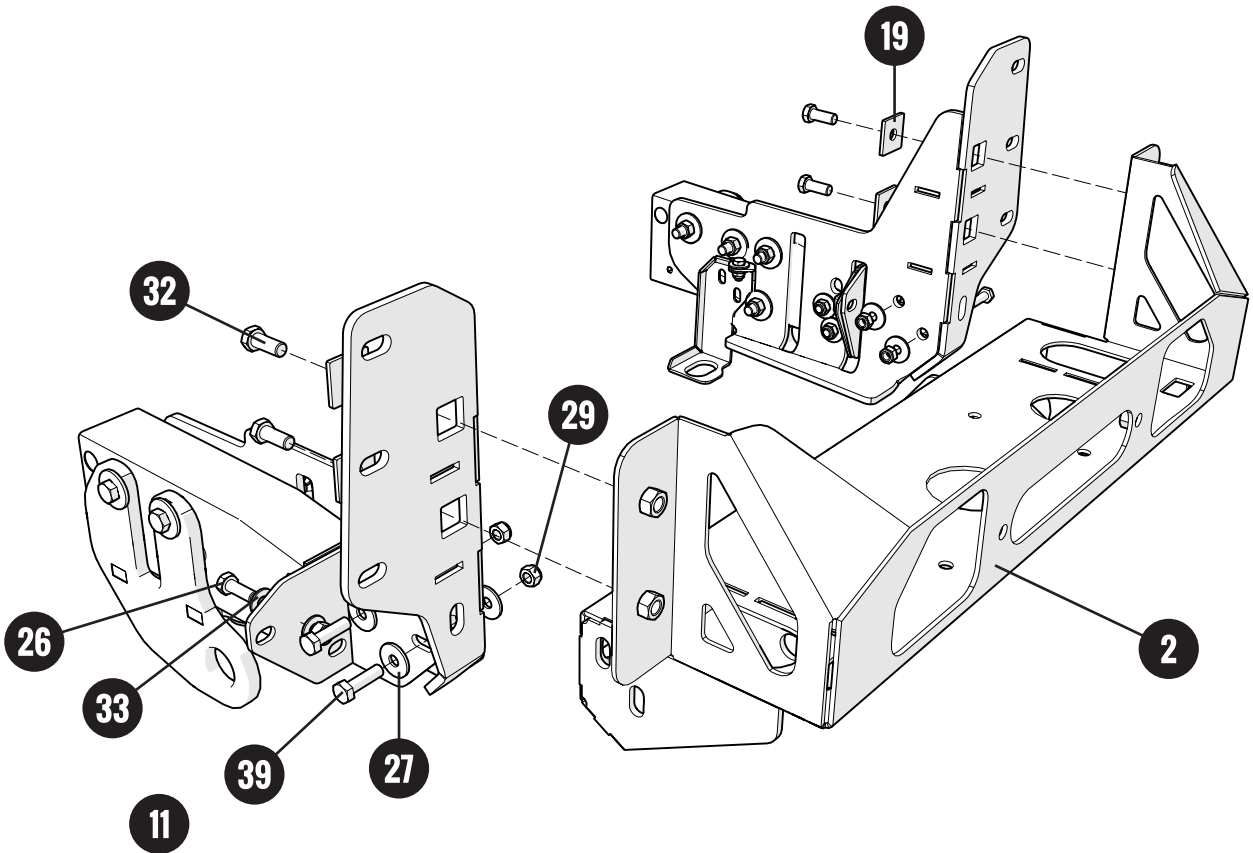


Repeat these steps for the right side using the the parts correspondent to that side (**9**), (**13**), (**22**).

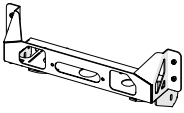
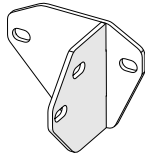
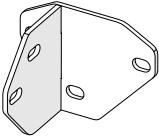
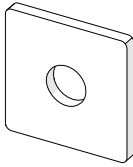
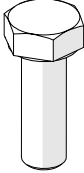
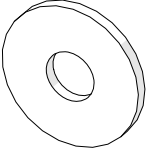
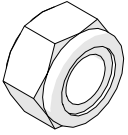
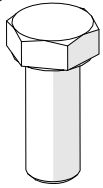
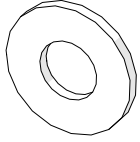
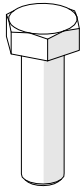
*OEM - Original Equipment Manufacturer

Step 4 - Fitting the Winch Bracket to the Chassis

Preview



Parts needed:

- | | | | | | |
|------------------------------------------------------------------------------------------------------|------------------------------------------------------------------------------------------------------|------------------------------------------------------------------------------------------------------|------------------------------------------------------------------------------------------------------|--------------------------------------------------------------------------------------------------------|--------------------------------------------------------------------------------------------------------|
|  <p>2</p> |  <p>10</p> |  <p>11</p> |  <p>19</p> |  <p>26</p> |  <p>27</p> |
| <p>x1 Winch Bracket</p> | <p>x1 Reinforcement Right Side</p> | <p>x1 Reinforcement Left Side</p> | <p>x4 Square Nut M12</p> | <p>x4 Bolt M10x30</p> | <p>x8 Washer M10</p> |
|  <p>29</p> |  <p>32</p> |  <p>33</p> |  <p>39</p> | | |
| <p>x8 Nylock Nut M10</p> | <p>x4 Bolt M12x30</p> | <p>x8 Washer M10</p> | <p>x4 Bolt M10x35</p> | | |

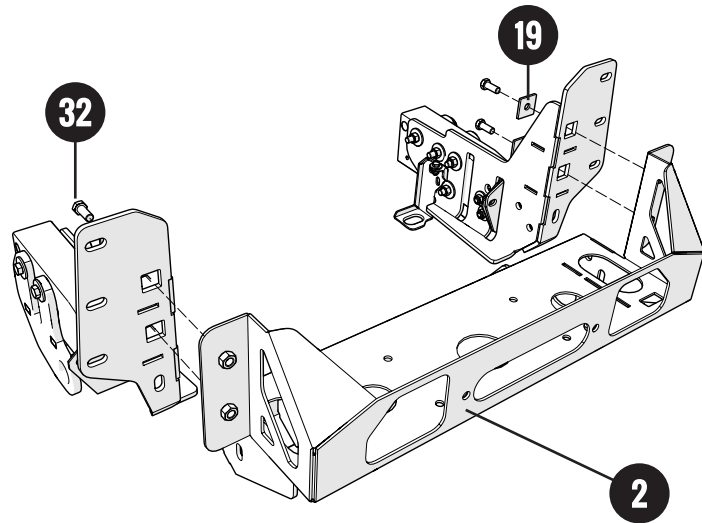
Step 4 - Fitting the Winch Bracket to the Chassis**Installation**

With help of another person or a crane, fit the **Winch Bracket(2)** onto the **Chassis**. Bolts needed:

Use 4x Bolts M12x30(**32**) with 4x Square Washers M12(**19**).

Just finger tight all bolts

Do Not tighten yet.



Once the **Winch Bracket(2)** is secured, fit the Left Reinforcement(**11**) connecting the **Chassis** to the **Right Winch Reinforcement(8)**.

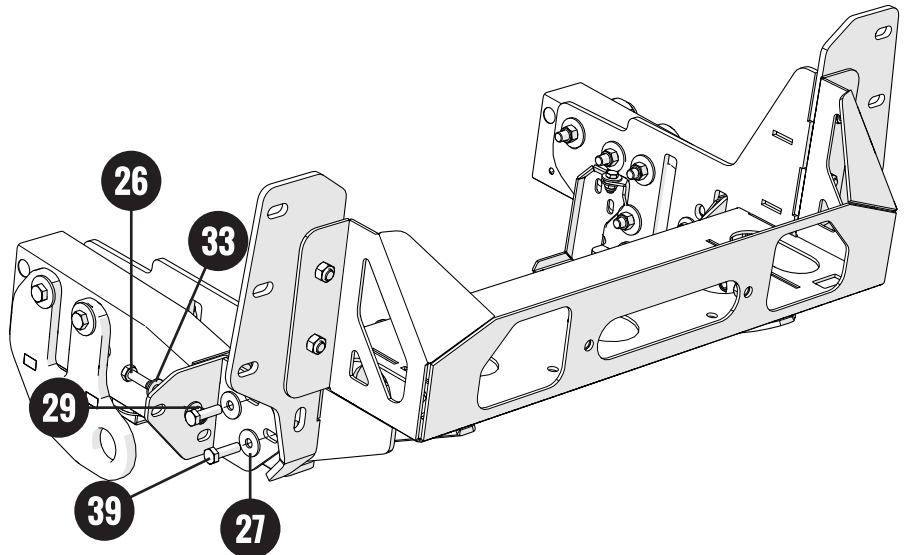
Use 2x Bolts M10x35(**39**) with 4x Washers M10(**27**), two on each bolt and 2x Nylock Nut M10(**29**).

Use 2x Bolt M10x30(**26**) with 4x Washers M10(**33**) and 2x Nylock Nut M10(**29**).

Repeat these steps for the **Left Reinforcement(9)**.

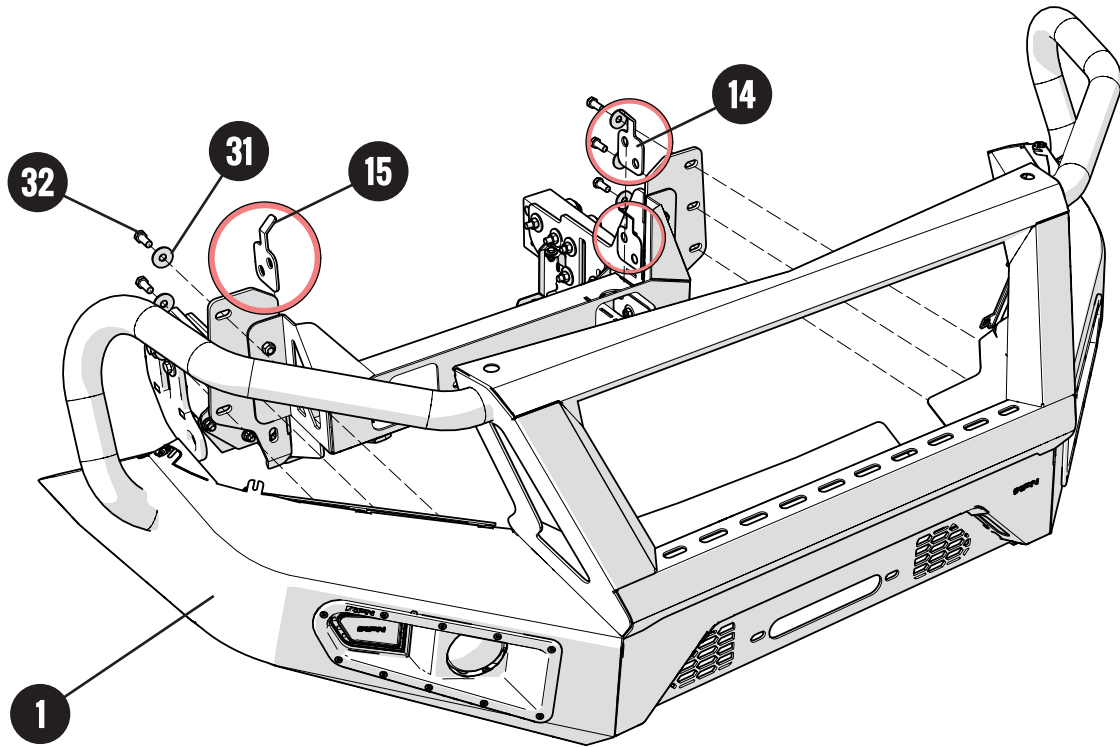
Just finger tight all bolts

Do Not tighten yet.

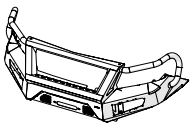
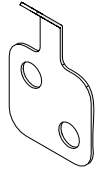
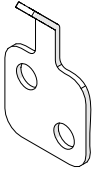
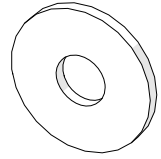
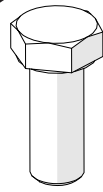


Step 5 - Fitting the AFN Bullbar | Bumper in the Winch Bracket

Preview



Parts needed:

- | | | | | |
|-------------------------------------------------------------------------------------------------|--------------------------------------------------------------------------------------------------|--------------------------------------------------------------------------------------------------|--------------------------------------------------------------------------------------------------|----------------------------------------------------------------------------------------------------|
| 1
 | 14
 | 15
 | 31
 | 32
 |
| x1 Bullbar Navara NP300 | x2 Winch Bracket Shim
Side - 2mm thickness | x2 Winch Bracket Shim
Side - 4mm thickness | x6 Washer M12 | x6 Bolt M12x30 |

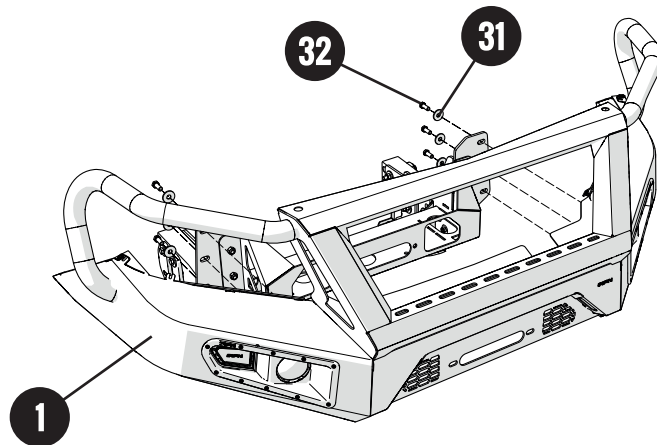
Step 5 - Fitting the AFN Bullbar | Bumper in the Winch Bracket**Installation**

With help of another person or a crane, lift the **AFN Bullbar | Bumper(1)** and place it over the **Winch Bracket(2)**, as showed in the image above.

Use 6x Bolts M12x30(32), with 6x Washers M12(31).

Just finger tight all bolts

Do Not tighten yet.

**ATTENTION!**

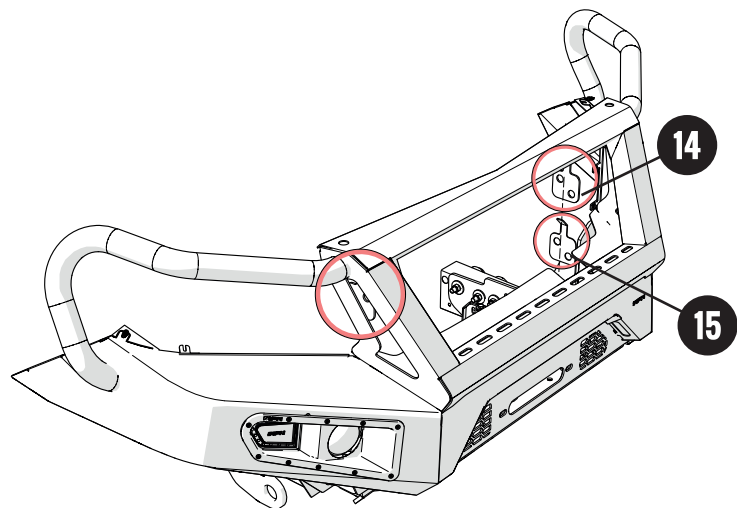
When everything is correctly fitted, please check and use, if needed, the supplied shims with **2mm thickness(14)** and **4mm thickness(15)**, to adjust the best way the **Winch Bracket(2)** to the body and **Chassis**.

Mind that this is a precision task, please take time to correctly assemble this step.

See **Step4** to see the bolts used.

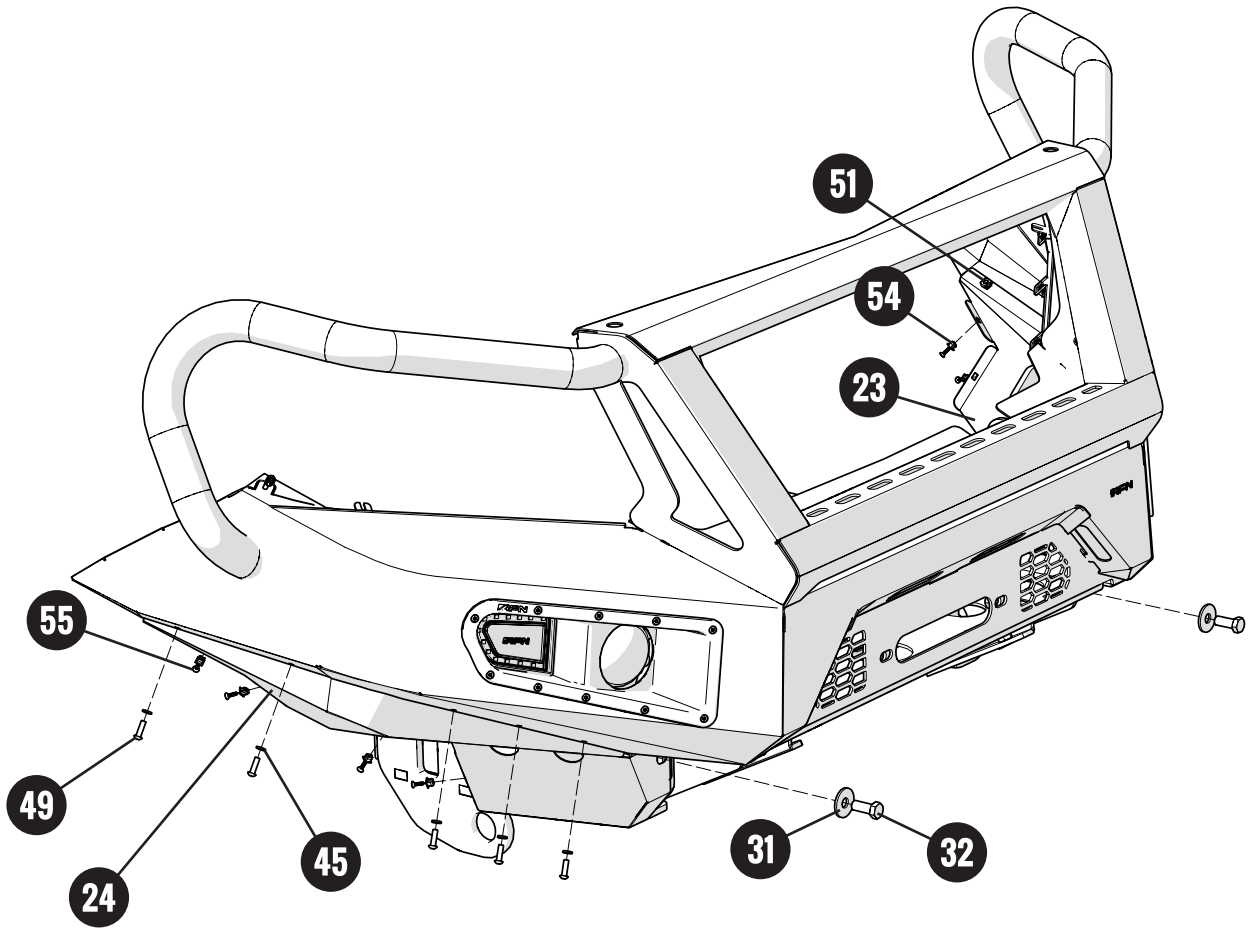
Use them only if you have to, they are optional and may not be needed.

Once everything is correctly fitted,
Give the final torque on all bolts.

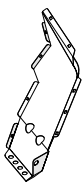
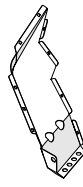
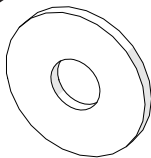
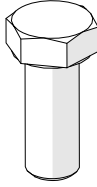
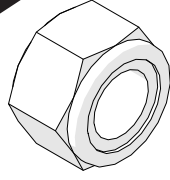
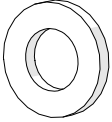
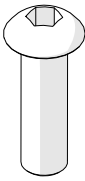
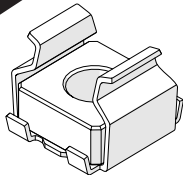
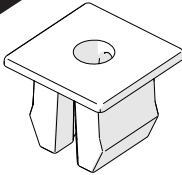



Step 6 - Fitting the Flaps in the AFN Bullbar | Bumper

Preview



Parts needed:

- | | | | | | |
|----------------------------------------------------------------------------------------------------------------------------|-----------------------------------------------------------------------------------------------------------------------------|----------------------------------------------------------------------------------------------------------------------------|-----------------------------------------------------------------------------------------------------------------------------|---------------------------------------------------------------------------------------------------------------------------------|-----------------------------------------------------------------------------------------------------------------------------|
| <p>23</p>  <p>x1 Left Flap</p> | <p>24</p>  <p>x1 Right Flap</p> | <p>31</p>  <p>x4 Washer M12</p> | <p>32</p>  <p>x2 Bolt M12x30</p> | <p>37</p>  <p>x2 Nylock Nut M12</p> | <p>45</p>  <p>x10 Washer M6</p> |
| <p>49</p>  <p>x10 Bolt M6x20</p> | <p>51</p>  <p>x10 Cage Nut M6</p> | <p>54</p>  <p>x8 Plastic Nut</p> | <p>55</p>  <p>x8 Bolt M3,5x16</p> | | |

Step 6 - Fitting the Flaps in the AFN Bullbar | Bumper**Installation**

Take on **Right Flap(24)** and fit it the **AFN Bullbar | Front Bumper(1)**.

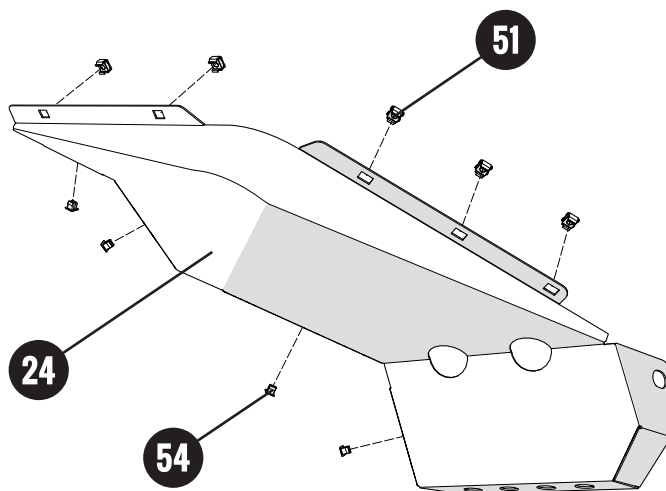
But first we advise to fit 5x Cage Nuts M6(**51**) on top of it and 4x Plastic Nuts M3,5(**54**) on the bottom.

Tip1:

You may use a rubber mallet to easily fit the 4x Plastic Nuts(**54**).

Tip2:

You may use a screwdriver to easily fit the 5x Cage Nuts(**51**).

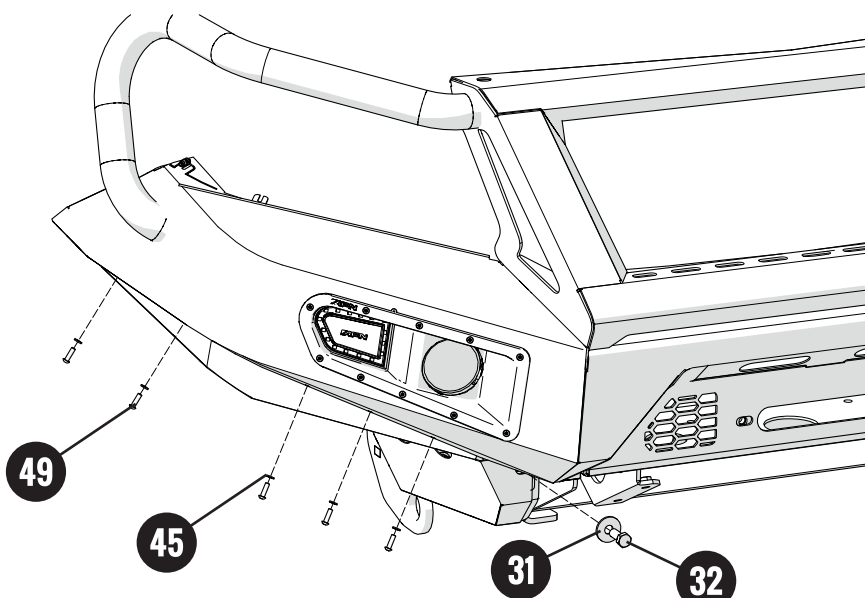


Once that is done fit the top of the **Right Flap(24)** in the **AFN Bullbar | Front Bumper(2)**.

Use 5x Bolts M6x20(**49**), with 5x Washers M6(**45**).

Then, fit the front of the **Right Flap(24)**.

Use 1x Bolt M12x30(**32**) with 2x Washers M12(**31**) and 1x Nylock Nut M12(**37**).



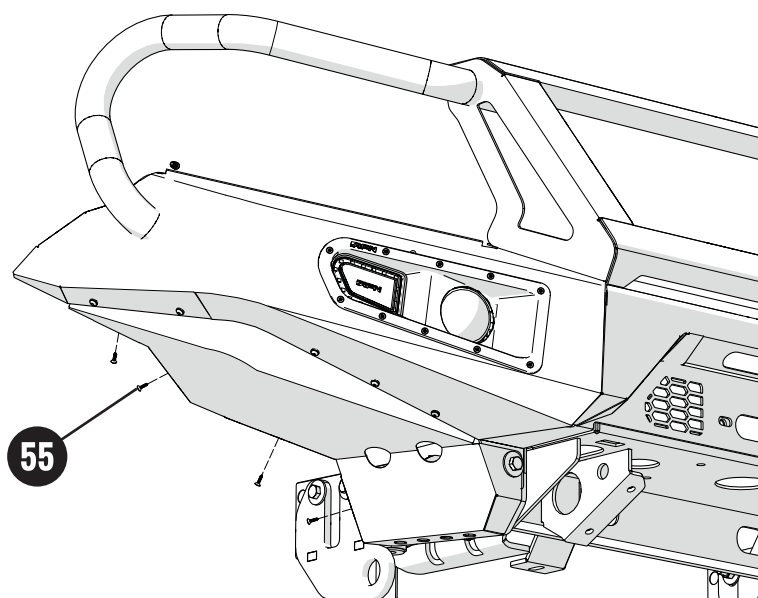
Just finger tight all bolts

Do Not tighten yet.

Push the **Right Flap(24)** to the *OEM** plastic fenders and mark the cut line, then cut *OEM** plastic fender.

Mark a hole on the inner side of wheel fender.

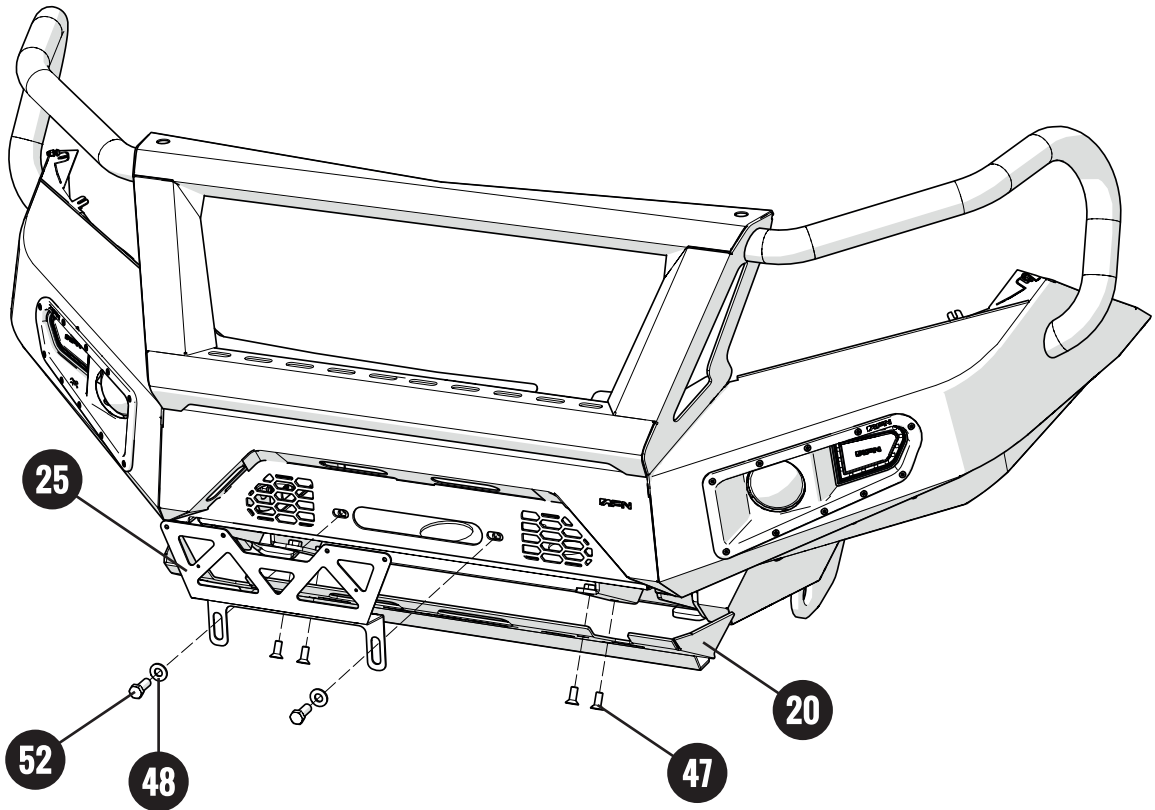
Drill a **2mm** diameter hole and fix the flaps through these holes using 4x Bolt M3,5x16(**55**).



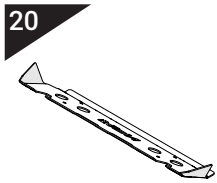
Give the final torque.

Repeat all these steps on the other side for the **Left Flap(23)**.

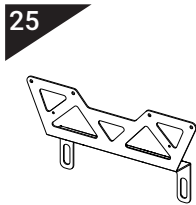
*OEM - Original Equipment Manufacturer



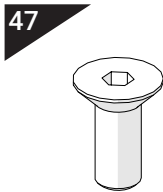
Parts needed:



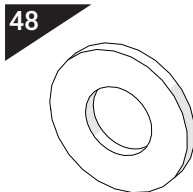
x1 Front Skid Plate



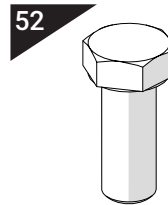
x1 Plate Bracket



x4 Bolt **M10x25**



x2 Washer **M12**



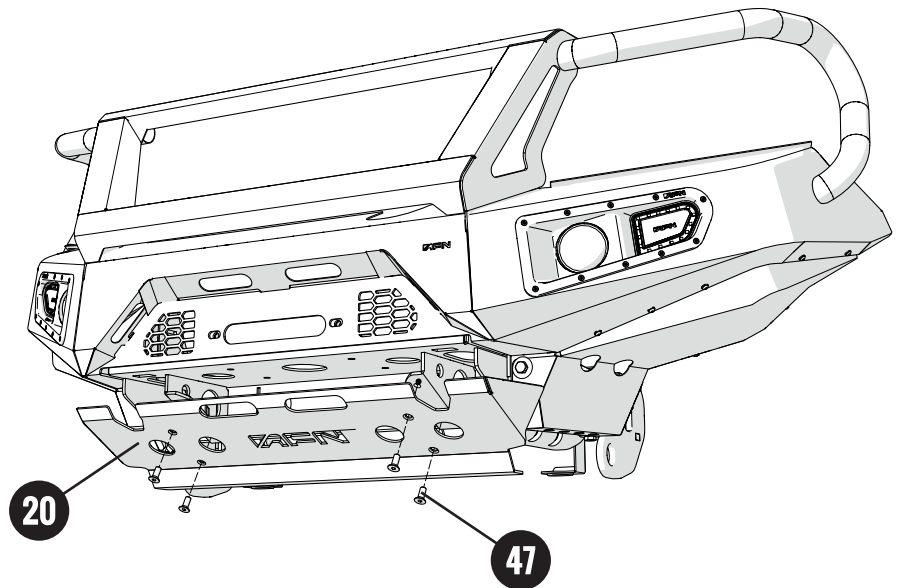
x2 Bolt **M12x30**

Step 7 - Fitting the Front Skid Plate and Plate Bracket AFN Bullbar | Bumper**Installation**

Take on **Front Skid Plate(20)** and fit it beneath **AFN Bullbar | Front Bumper(1)**.

Use 4x Bolts M10x25(**47**).

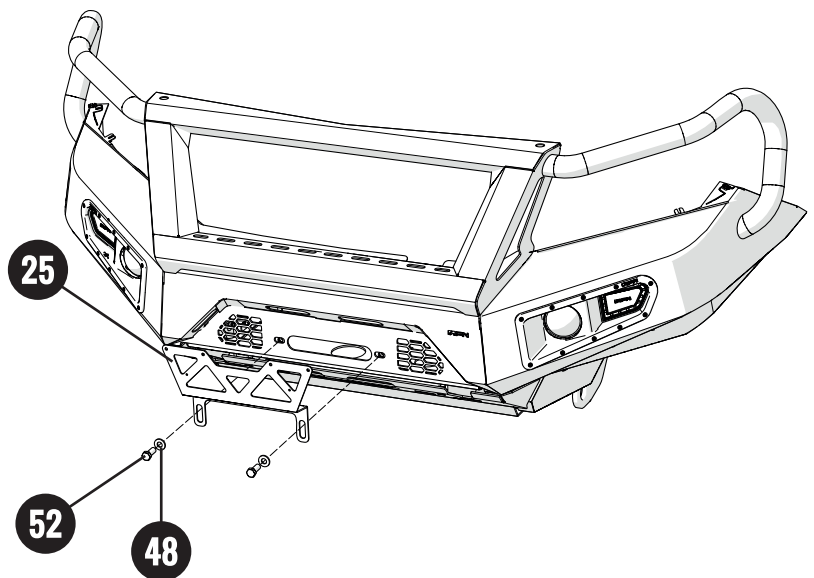
Give the final torque.

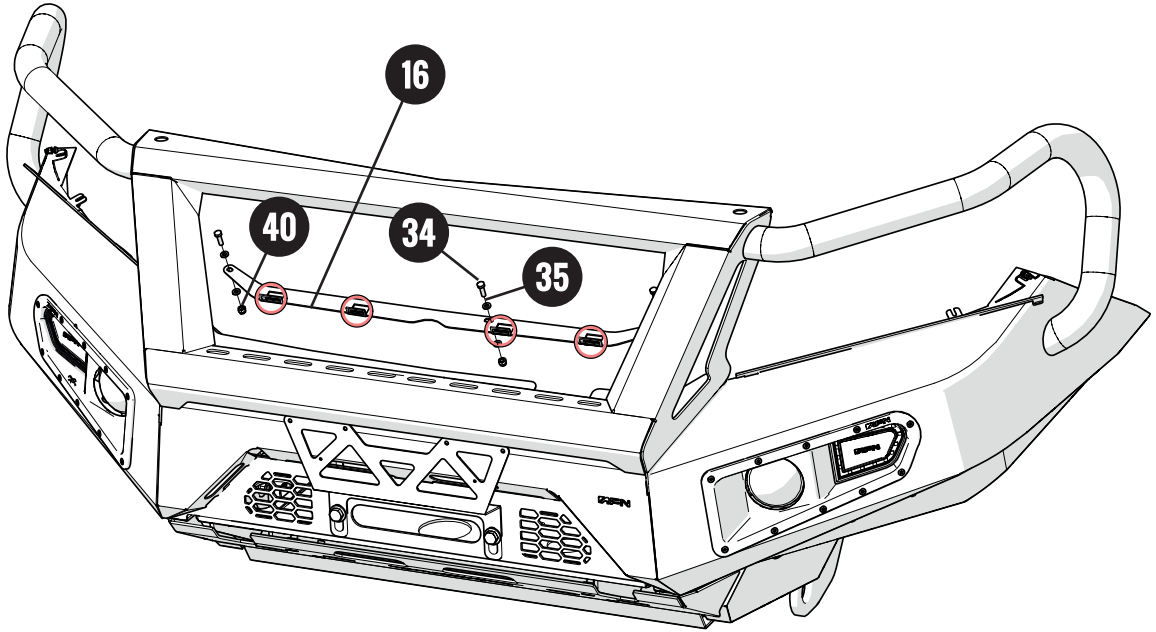


Once that is done, take on **Plate Bracket(25)** and fit it on **AFN Bullbar | Front Bumper(1)**.

Use 2x Bolts M12x30(**52**) with 2x Washers M12(**48**).

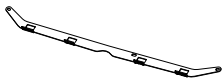
Give the final torque.





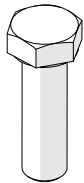
Parts needed:

16



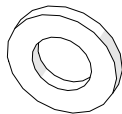
x1 Grill Bracket

34



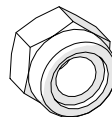
x3 Bolt M6x20

35



x6 Washer M6

40



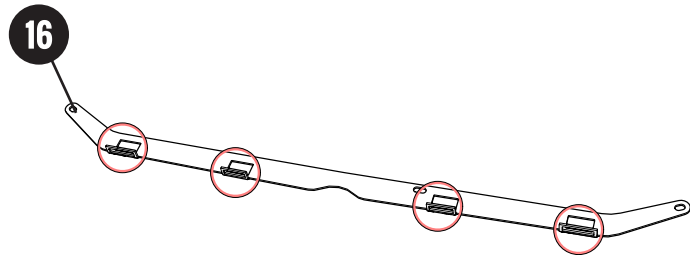
x3 Nylock Nut M6

Step 8 - Fitting the Grill Bracket

Installation

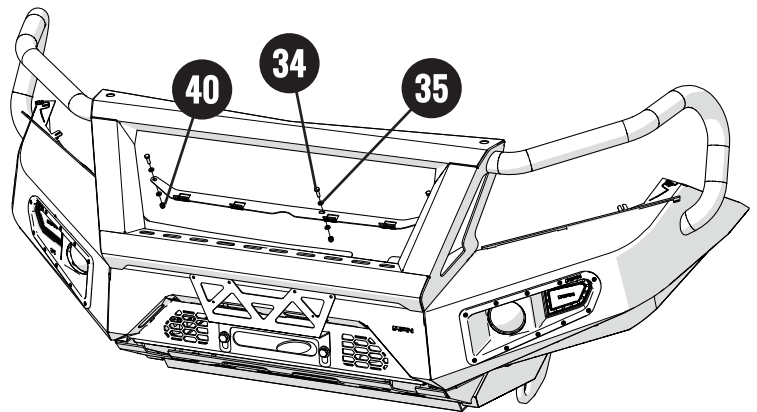
Finally it's time to fit the **Grill Bracket (16)** into the *OEM** Grill.

Use the fasteners in order to fit the **Grill Bracket(16)** into the *OEM** Grill.



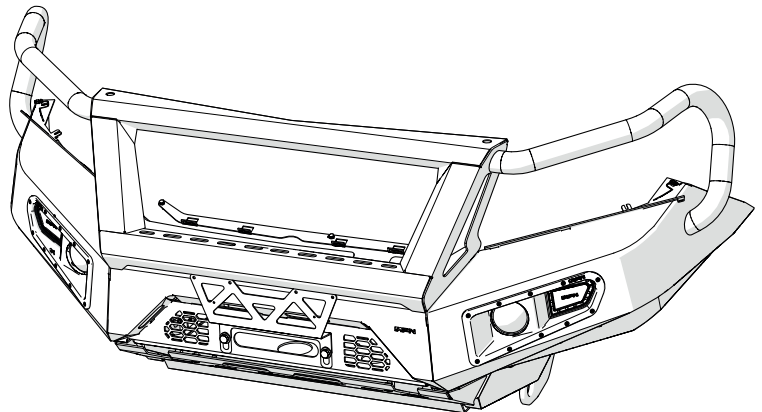
Once that is done, fit both **Grill Bracket(16)** and *OEM** Grill in the vehicle.

Use 3x Bolts M6x20(**34**) with 6x Washers M6(**35**) and 3x Nylock Nuts M6(**40**).



Give the final torque.

If you done it correctly this is what it should look like.





Your new **AFN BULLBAR | FRONT BUMPER** is now installed on your **Nissan NAVARA NP300!**
Have Fun!

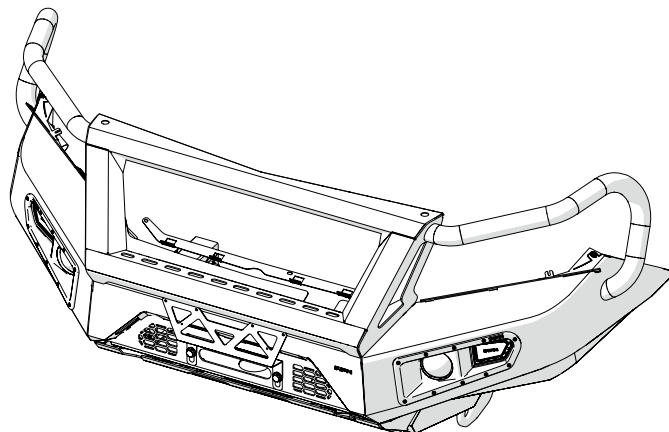
Reminder !

Before operating a vehicle fitted with an AFN Front Bumper:

- Make sure all fittings are tightened
- Check winch operation (if installed)
- Check all electrical wiring attached to lights and parking sensors (if installed)

Maintenance | Care

Periodically check and tighten all nuts. Stripped, fractured or bent bolts or nuts need to be replaced.





3 NAVARA NP300 CATALOGUE

AFN 4x4 Accessories is becoming a well known brand for its products due to its quality, design and safety which are challenged for thousands of people everyday, worldwide.

In its diversity of products we can include, with all-terrain quality, protection, safety and aesthetic accessories. With that being said, **AFN 4x4** has some other accessories that every offroad passionate would like to have, such as **Body Protections, Underbody Protections, Light Holders, Storage** (Wheel Supports and Jerry-can carriers) and others related to the **Aesthetics**.

We have some 4x4 accessories that combine with the original model lines that if you take a closer look you will see that they don't appear to be an accessory, but a must-have.

Please be in mind that some accessories are available only to some models.

Feel free to check all the products that may interest you in our website at: www.afn.pt



Ref.: 48002320 - Bull Bar with fog lights



Ref.: 48002319 - Front Bumper



Ref.: 48002381 - Side Steps



Ref.: 48002382 - Nerf Bars



Ref.: 48002311 - Rear Step Bar w/ trailer hitch



Ref.: 48002310 - Rear Bumper w/ Wheel and Jerry-can carrier



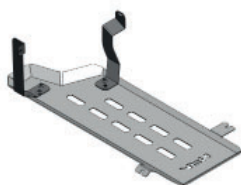
Ref.: 48002314 - Sump Skid Plate (*AI)



Ref.: 48002315 - Gearbox Skid Plate (*AI)



Ref.: 48002316 - Transfer Box Skid Plate (*AI)



Ref.: 48002317 - Fuel tank Skid Plate (*AI)

4 WARRANTY TERMS

AFN4x4 products are warranted free from defects in materials and workmanship for a period of two (2) years from the date of initial retail purchase. Third-party components are delivered under the original manufacturer warranty.

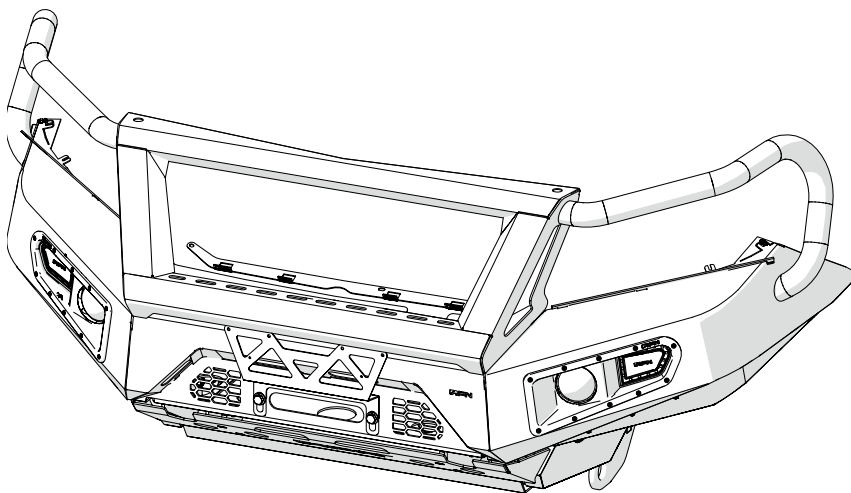
Under the present warranty, **AFN4x4** obligation shall be limited to repairing, replacing or crediting, at its option, any part found to be defective.

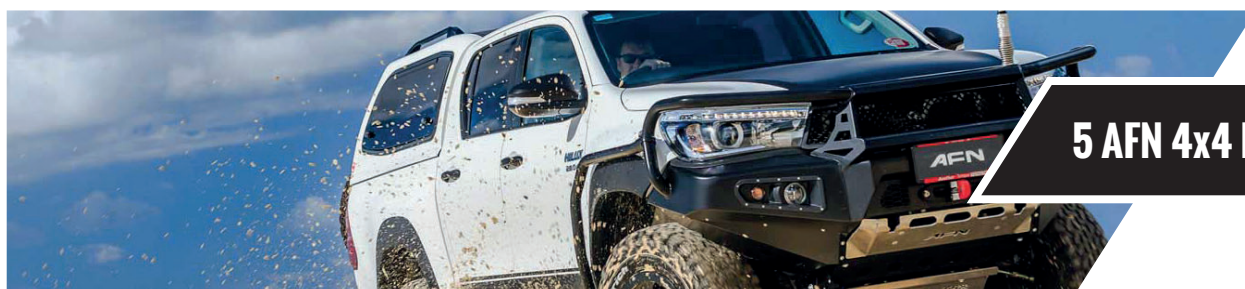
AFN4x4 does not warrant or make any representations concerning its goods when:

- a) The products are purchased used, scratch and dent or when the box was opened.
- b) The products are not installed, used, and maintained strictly in accordance with **AFN4x4**'s instructions.
- c) The products are installed in vehicles that are used in competition.
- d) The products are installed in vehicles fitted with aftermarket non-standard tires with diameters in excess of OEM* specifications.
- e) The products are installed in vehicles with engines that have been modified to increase performance.

AFN4x4 will not be responsible for goods damaged in transit. If any goods arrive damaged, please contact the **AFN4x4** as soon as possible. **AFN4x4** will assess and may arrange to have the damaged goods returned to a **AFN4x4** Distributor and arrange for a replacement of the goods. Damaged goods must be returned in the condition received by you with all original packaging, accessories and/or manuals. If they are not returned in same condition sent there may be an additional fee charged.

To file a claim under this warranty please contact **AFN4x4** at +351 256 808 300 or via email at geral@afn.pt to request a *Returned Goods Authorization (RGA)* number and instructions for returning the defective component.





5 AFN 4x4 PARTNERS



01

Portugal

Rua da Madeira, 113
Z. Industrial das Travessas
3700-176 S. João da Madeira

T:(00351) 256 838 300/7
geral@afn.com
www.afn.com

02

Espanha

Carretera de Moledo 8
pol. ind. de Miraflores, Nave 20
36214, Vigo (Pontevedra)

T:(0034) 986 378338
info@4x4misutonida.com
www.4x4misutonida.com

03

Austrália

19 Flinders Parade
North lakes
QLD 4509

T:(0061) 1300 236 494
sales@afn4x4.com.au
www.afn4x4.com.au

04

Costa Rica

Fort overlanding CR,
Alajuela

T:(0011) 506 8430 0211
info@fortoverlanding.com
www.fortoverlanding.com

DON'T JUST SETTLE FOR THE SAME OLD BULL



WWW.AFN.PT | SALES@AFN.PT | FACEBOOK.COM/AFN4X4

WELCOME TO THE AFN COMMUNITY



União Europeia
Fundo Europeu de
Desenvolvimento Regional

