

# CRAFTED LIKE NO OTHER

DON'T JUST SETTLE  
FOR THE SAME  
OLD BULL

**OWNER MANUAL**

FORD  
RANGER PX 2019+  
US Version

**AFN**<sup>®</sup>  
4 X 4 ACCESSORIES



## WELCOME TO THE AFN FAMILY

This manual contains the **Ford RANGER PX US Version +2019** fitting instructions for:

**Rear Step Bar w/ trailer hitch Ref.: 48002521**

**Rear Bumper w/ Wheel carrier and Jerrycan Ref.: 48002539**

# 1 INTRODUCTION



## The Company

Founded in 1995, AFN - 4x4 Accessories dedicates itself to the production and commerce of all-terrain accessories. Its constant concern in its customers total satisfaction, and in the ideals of innovation and transformation have granted a position of notability both in the national and international panorama.

The only company in Portugal in the mass production of 4x4 accessories, relies on specialized and experienced technicians, with the most adequate knowledge, to an efficient response capability to its customers demands.

Thanks to the specialization in the several areas of design and manufacture and to a constant investment in technology, AFN has been broadening its wide range of products, without ever neglecting the quality factor.

## 4x4 Accessories

In its diversity of products we can include, with all-terrain quality, protection, safety and aesthetic accessories.

And it is here that AFN invest on the best technology, the best cut precision of the raw material, and the transformation of products with the quality recognized in the marketplace.

AFN has, at its disposal, resources to test and analyse the resistance of its products and stands in the front row regarding the European homologation of materials dedicated to all terrain.

The contact with the most important test laboratories for vehicles, both in England, Spain and Germany, provides AFN with the know-how to manufacture a wide range of quality products.

## Our Design Approach

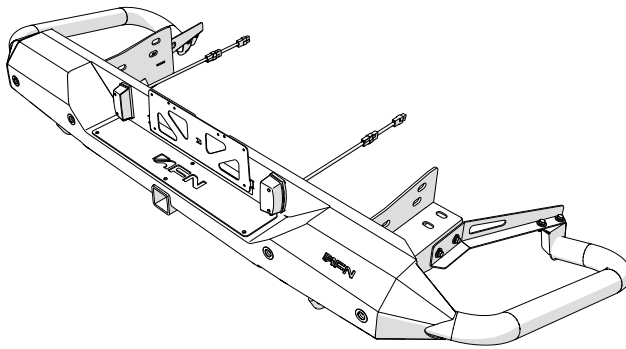
AFN designs each accessory taking into consideration the original model lines and fitting points. We refuse to have a "one design fits all" solution and we are always looking forward to embrace new challenges on how to adjust a new product into a new model!

The days of just throwing on a bit of steel together to form a protection system are gone. AFN is leading the way modern vehicle protection components are manufactured. Other will follow, and it won't be long where the AFN approach to Styling, Fit, Form and Function will become the benchmark for all other manufacturers.





# INDEX



### AFN 4x4 Accessories

Product: **Rear Step Bar w/ trailer hitch**

Part Ref.: **48002521**

Product: **Rear Bumper w/ Wheel Carrier and Jerrycan**

Part Ref.: **48002539**

**Introduction** 2

**1 Checklist** 4

Product 48002521

Product 48002539

**2 Fitting Instructions** 6

**3 RANGER PX Catalogue** 21

**4 Warranty Terms** 22

**5 AFN 4x4 Partners** 23

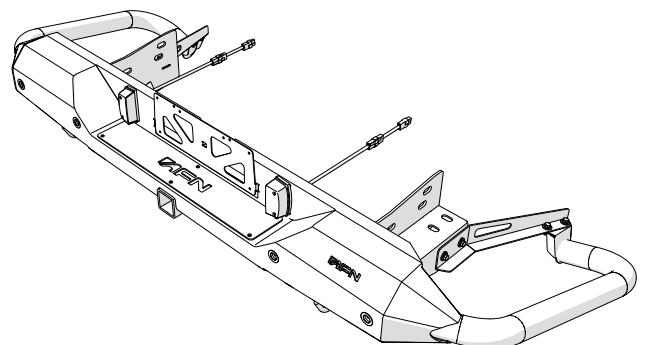


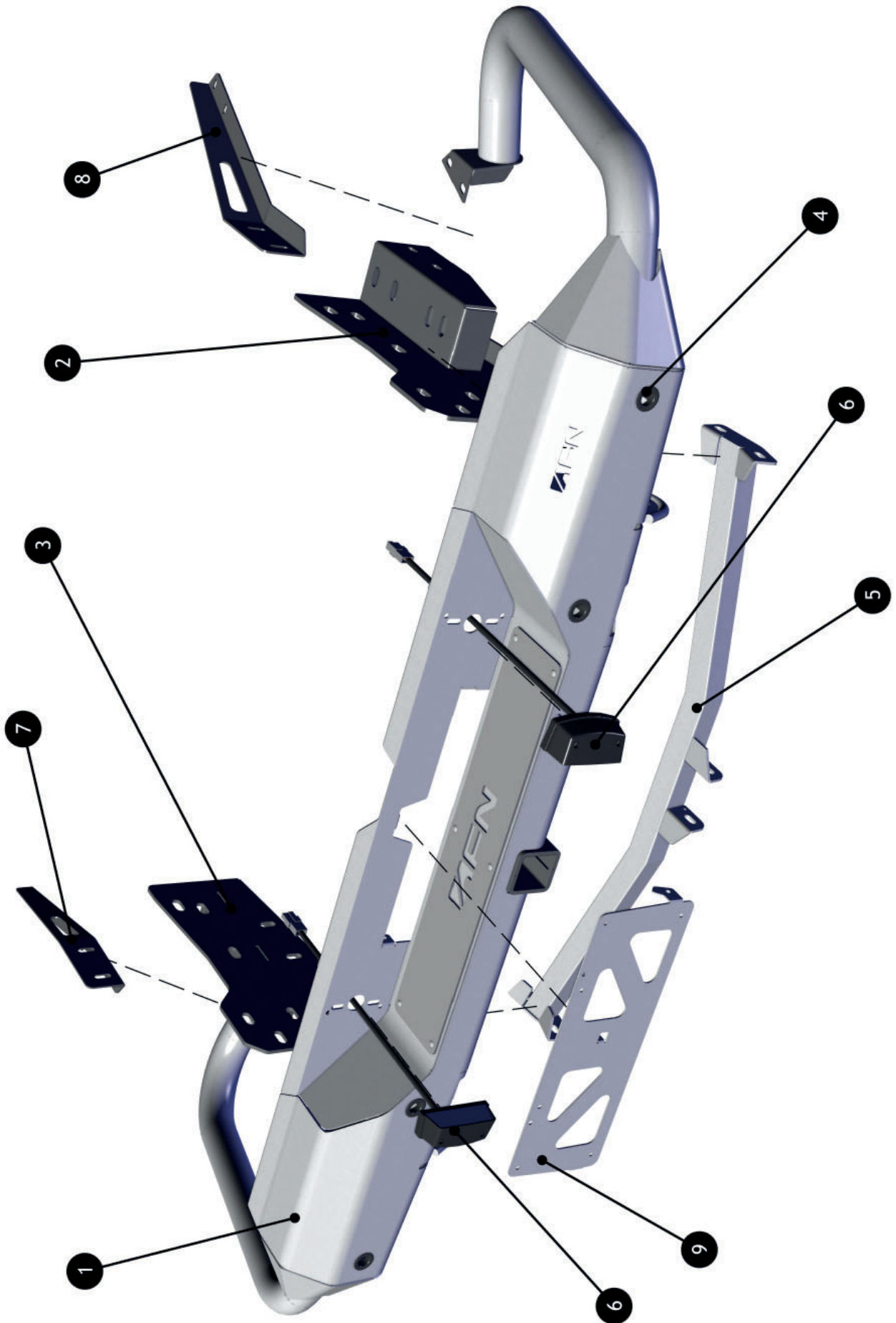
# 1 CHECKLIST

- In this section you have a checklist with all parts included for the installation of your AFN product
- This product should be installed as demonstrated in the product fitting instructions
- If verified that any component is damaged, please contact your nearest AFN distributor
- The specified parts will only fit in the models specified by AFN
- Do not modify any component of the product

This checklist is for product **48002521** and **48002539**.

NUMBER	DESCRIPTION	REFERENCE	QTY
1	Rear Step Bar Ranger PX ( <i>US version</i> )	47002102	1x
2	Rear Step Reinforcement ( <b>Right Side</b> )	47002103	1x
3	Rear Step Reinforcement ( <b>Left Side</b> )	47002104	1x
4	Parking Sensors Brackets	48002404	4x
5	Rear Step Reinforcement ( <b>Central</b> )	47002079	1x
6	Plate Bracket Light	47001233	2x
7	Reinforcement plate ( <b>Left Side</b> )	46007973	1x
8	Reinforcement plate ( <b>Right Side</b> )	46007972	1x
9	Swivel Plate Bracket	46007085	1x
10	Nut M12	45000034	2x
11	Spring Ø9x1x14,5	45000641	1x
12	Flange Bolt M10x25	45001236	2x
13	Flange Bolt M10x35	45001238	4x
14	Flange Bolt M8x25	45001241	8x
15	Flange Nut M6	45001246	2x
16	Flange Nut M8	45001247	8x
17	Flange Nut M10	45001248	6x
18	Flange Nut M12	45001249	6x
19	Washer M12	45001250	12x
20	Washer M10	45001251	8x
21	Washer M6	45001256	2x
22	Washer M8	45001267	16x
23	Flange Bolt M6x20	45001404	2x
24	Flange Bolt M12x35	45001431	7x
25	Flange Bolt M12x40	45001437	1x





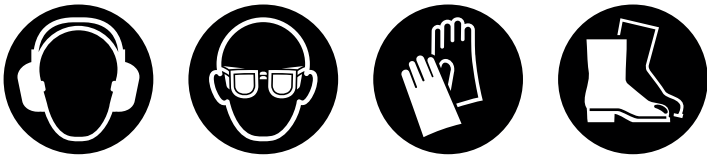
## 2 FITTING INSTRUCTIONS



**WARNING:**

Before you begin installation, read all instructions thoroughly. Proper tools will improve the quality of installation and reduce the time required.

- This product should be installed as demonstrated in the *Product «Fitting Instructions»*;
- The specified parts, will only fit the models specified by **AFN**;
- Do not modify any component of the product;
- It is recommended that this product is installed by specialized and trained personnel;
- AFN doesn't take responsibility for changes made in the vehicle by its manufacturer;
- Work safely and use specialized tools at all times;
- **Always use protective gear.**

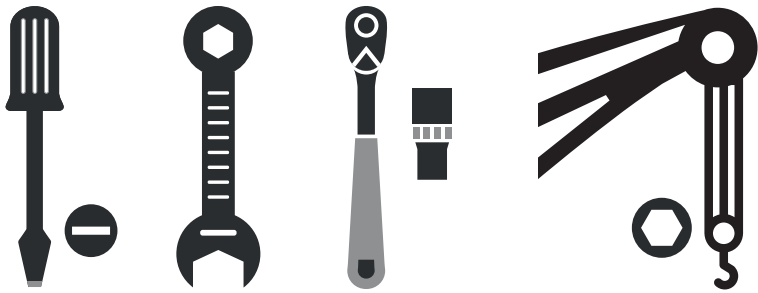


Size	Torque Nm	Torque lbft
M6	9 Nm	7 lbft
M8	22 Nm	16 lbft
M10	44 Nm	32 lbft
M12	77 Nm	57 lbft

### Mouting Time

- 3 hours
- 2 persons (recommended)

### Tools Required



- Screwdriver flat head
- Wrench
- Ratchet wrench
- Crane

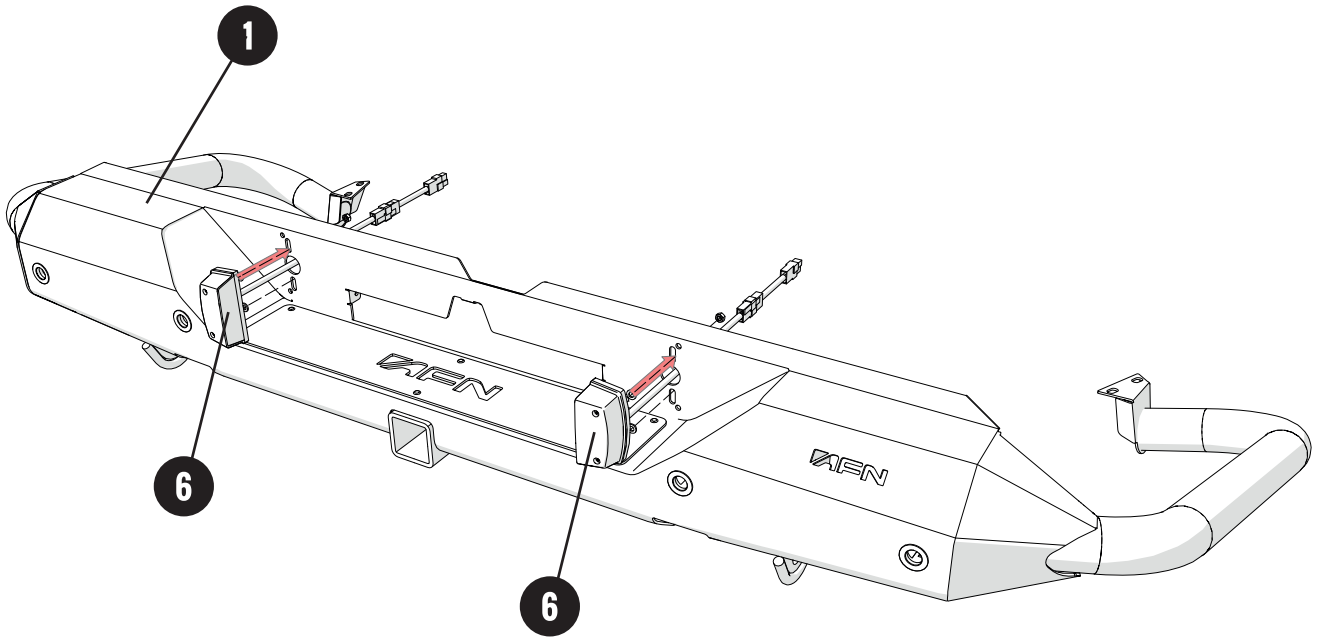
## Step 1 - Remove the OEM\* Bumper

Remove the *OEM\** rear bumper just as specified by the vehicle manufacturer in your maintenance manual. *(Be aware that you must save the OEM bolts and nuts.)*

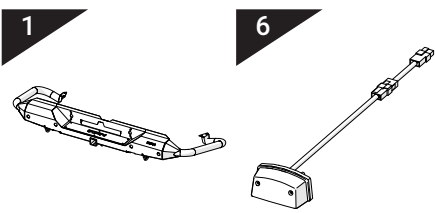


**Step 2 - Preparation of the AFN Rear Step**

**Preview**



**Parts needed:**



**x1** Rear Step Bar Ranger PX **x2** Plate Bracket Light  
US Version

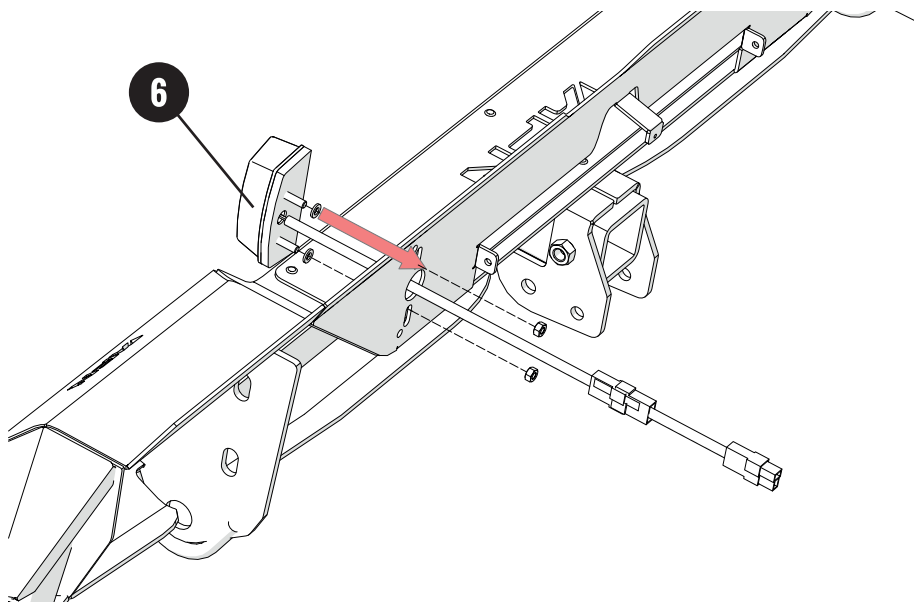
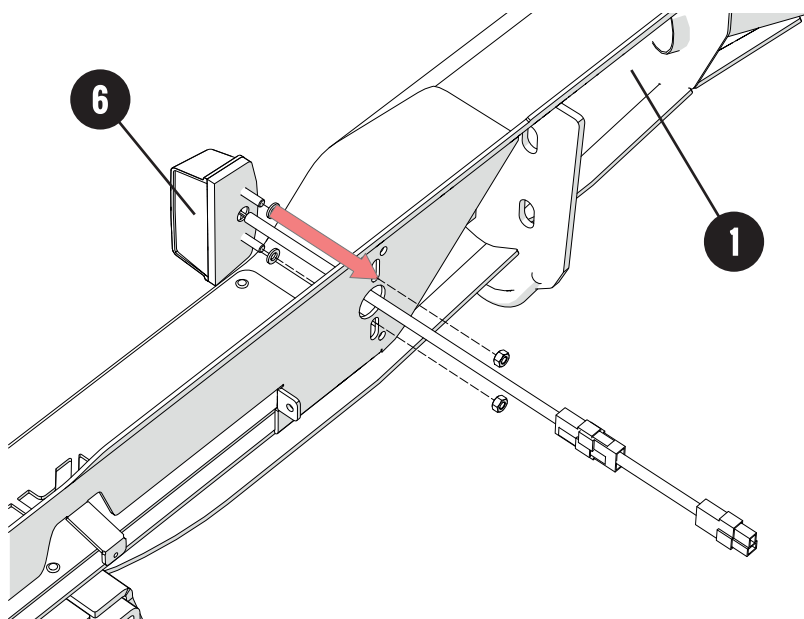
**Step 2 - Preparation of the AFN Rear Step****Installation****ATTENTION!**

The following step **only applies if the Plate Bracket Lights are not mounted**, or if by any case there is a need to dismount it. **Proceed to next Step.**

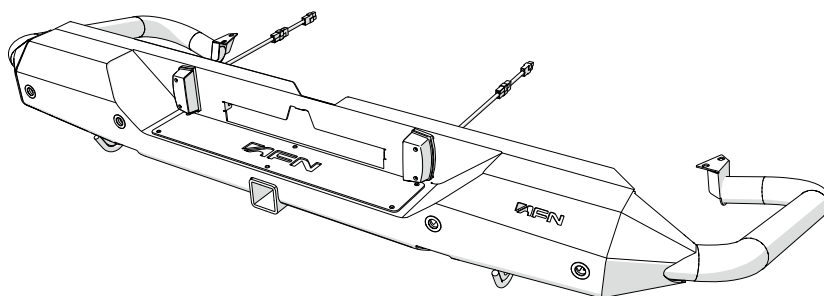
Before inserting the **AFN Rear Step Bar(1)** on the vehicle there are some details that we advise to do first (so, place it on a flat working surface).

Start by fitting both **Plate Bracket Lights(6)**, using 2x Washers M6 and 2x Nuts M6, as showed. **(They go with Plate Bracket Light kit)**

**Give the final torque.**

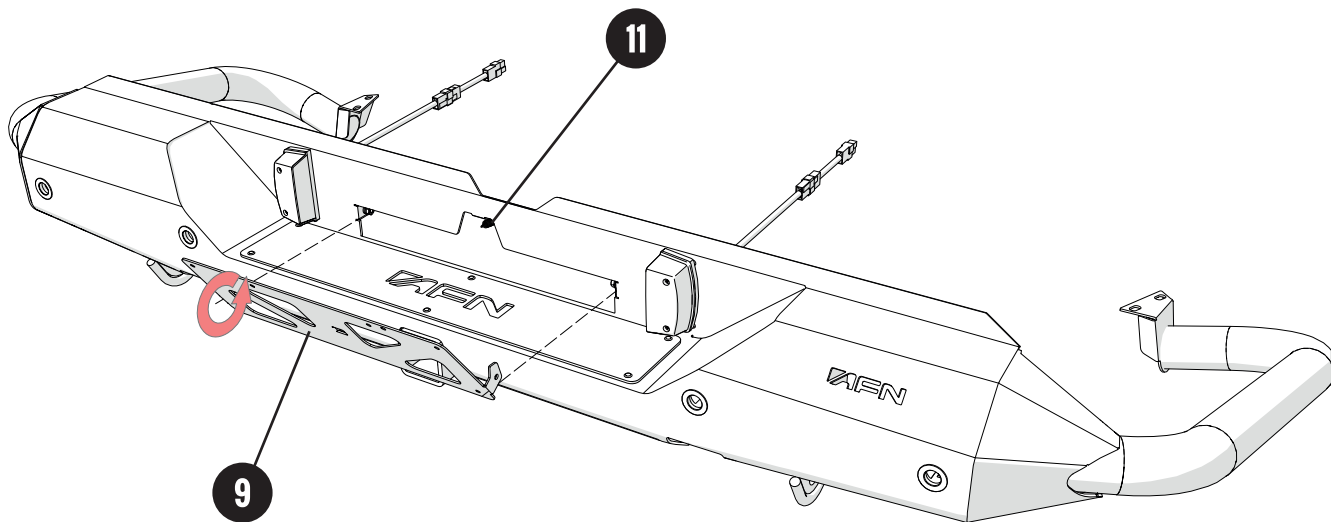


If you done it correctly it should look like the image on the right.



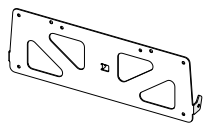
**Step 3 - Preparation of the AFN Rear Step**

Preview



**Parts needed:**

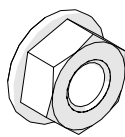
9



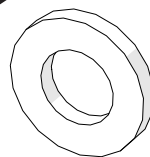
11



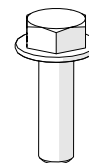
15



21



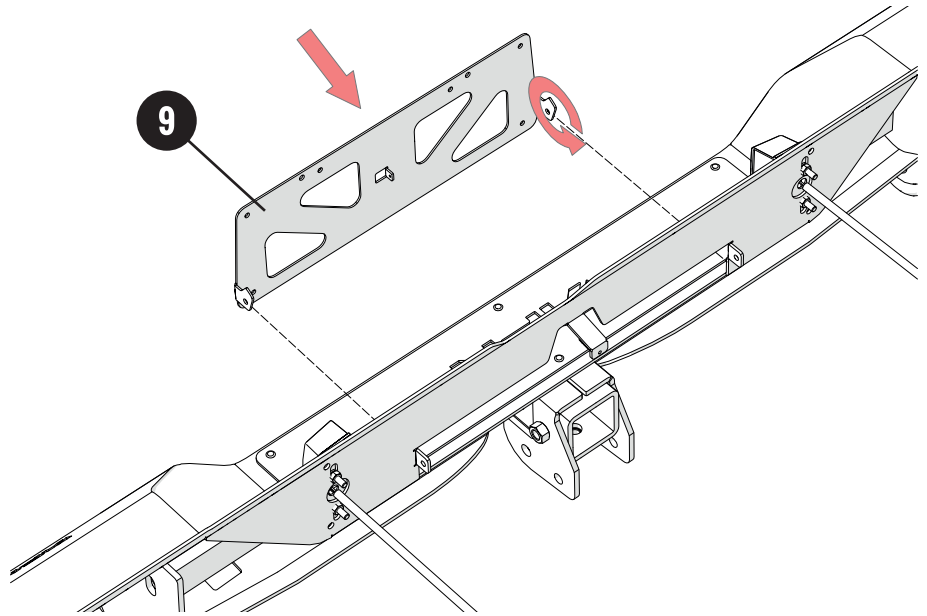
23



- x1 Swivel Plate Bracket x6 Spring  $\varnothing 9 \times 1 \times 14,5$  x2 Flange Nut M6 x8 Washer M6 x2 Flange Bolt M6x20

**Step 3 - Preparation of the AFN Rear Step****Installation**

Fit the **Swivel Plate Bracket(9)** into the **Rear Step Bar(1)**. It must enter and gently rotate it until it passes through.



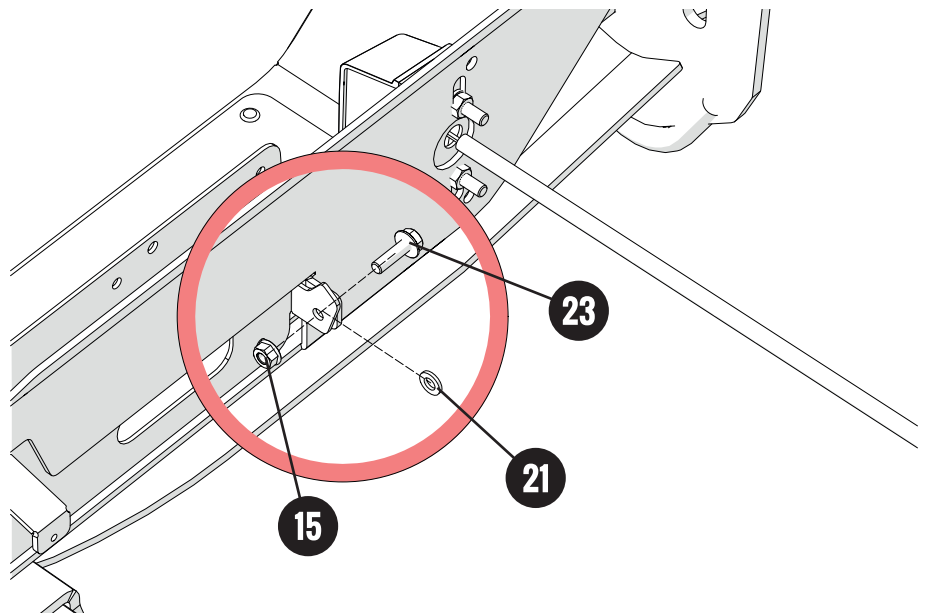
Then, Fit the **Swivel Plate Bracket(9)** using 1x Flange Bolt M6x20(**23**) with 1x Washer M6(**21**) and 1x Flange Nut M6(**15**).

Please be in mind that the Washer M6(**21**) is fitted between the gap of the **Swivel Plate Bracket(9)** and **Rear Step Bar(1)**. It will act like a shim.

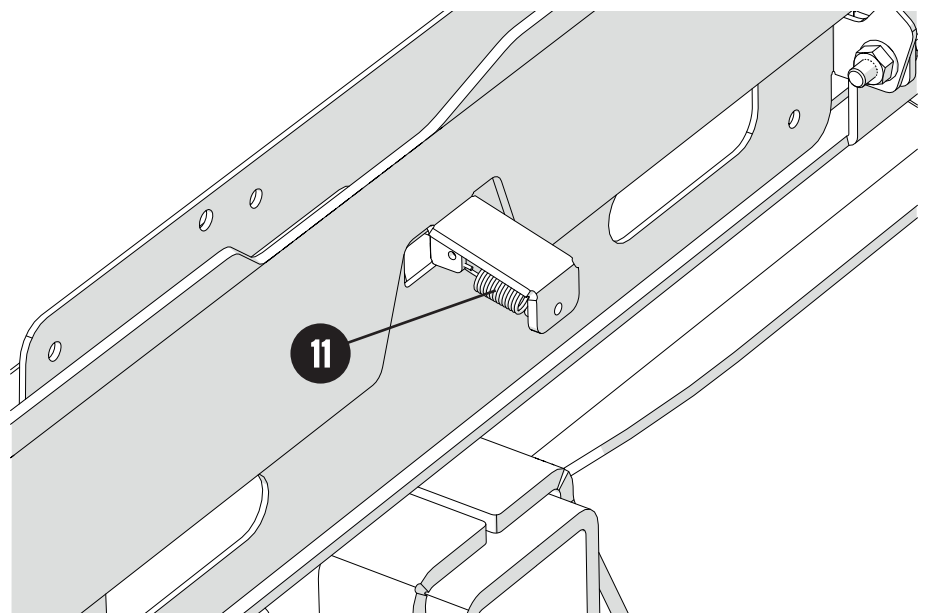
Repeat this step on the other side.

Just finger tight all bolts

**Do Not tighten yet.**

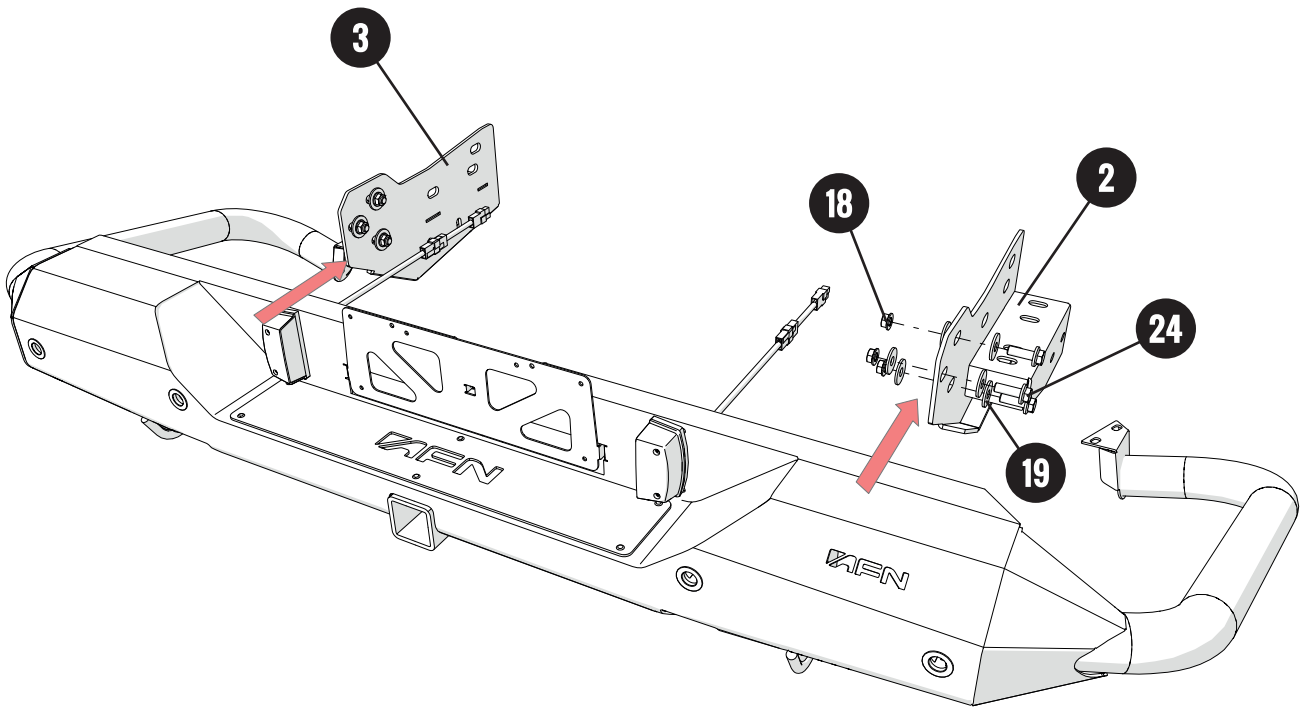


Finally, take on **Spring(11)** and fit it connecting the **Rear Step Bar(1)** to the **Swivel Plate Bracket(9)**.

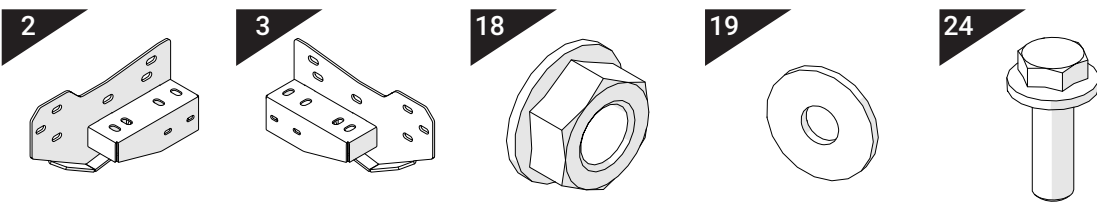


**Step 4 - Fitting the AFN Rear Step Bar in the Chassis**

Preview



**Parts needed:**



- x1 Rear Step Reinforcement Right Side
- x1 Rear Step Reinforcement Left Side
- x6 Flange Nut M12
- x12 Washer M12
- x6 Flange Bolt M12x35

**Step 4 - Fitting the AFN Bullbar | Bumper in the Winch Bracket**

**Installation**

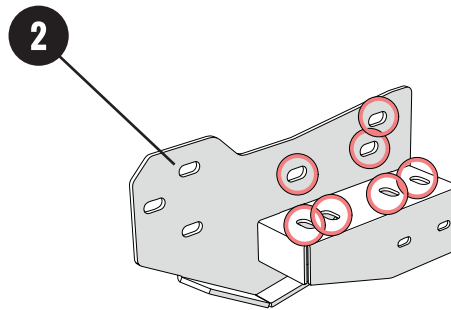
Take on **Rear Step Reinforcement(2)** and fit it on vehicle chassis, as showed in the image on the right.

Mind that this part is fitted using only the \*OEM Bolts.

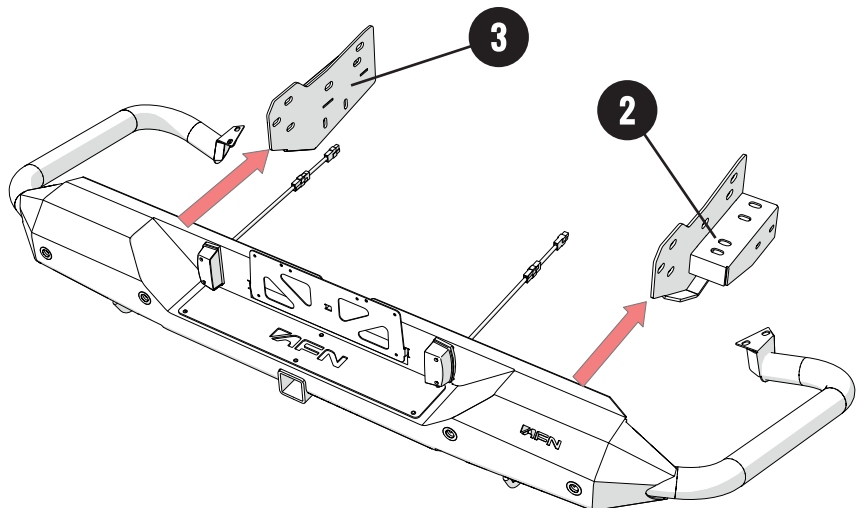
Repeat this step on the other side using **Rear Step Reinforcement(3)**.

Just finger tight all bolts

**Do Not tighten yet.**



With help of another person or a crane, fit the **AFN Rear Step Bar(1)** in both **Rear Step Reinforcements(2)** and **(3)**.

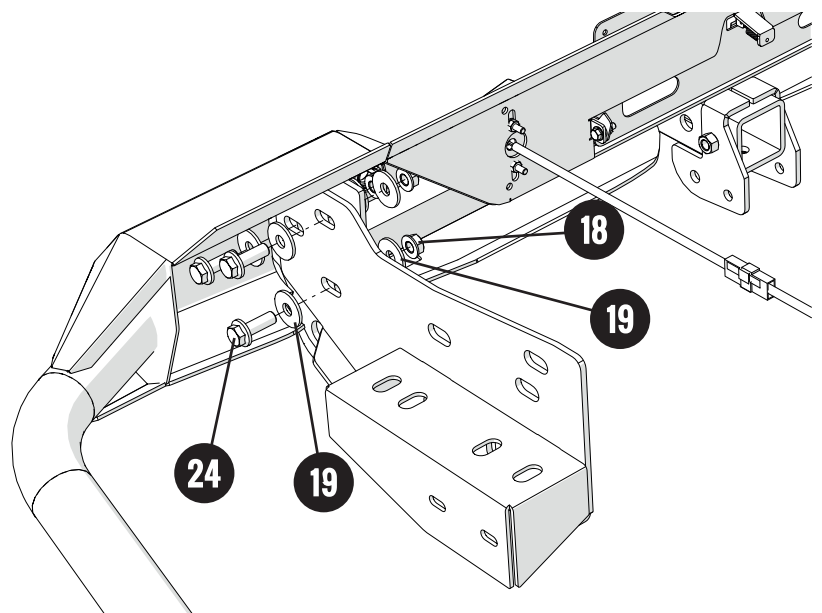


When the **AFN Rear Step Bar(1)** is in place, start by fitting all the bolts:

Use 6x Flange Bolts M12x35(**24**) with 12x Washers M12(**19**) and 6x Flange Nuts M12 (**18**).

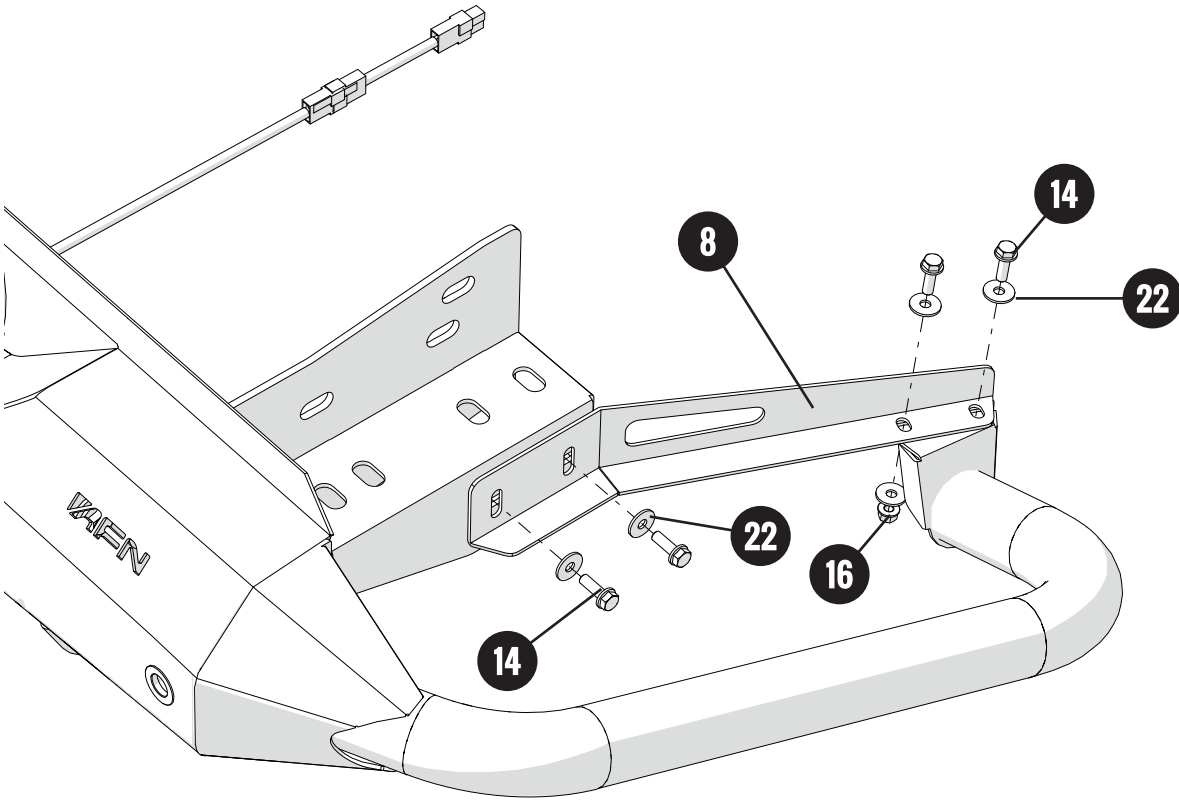
Just finger tight all bolts

**Do Not tighten yet.**

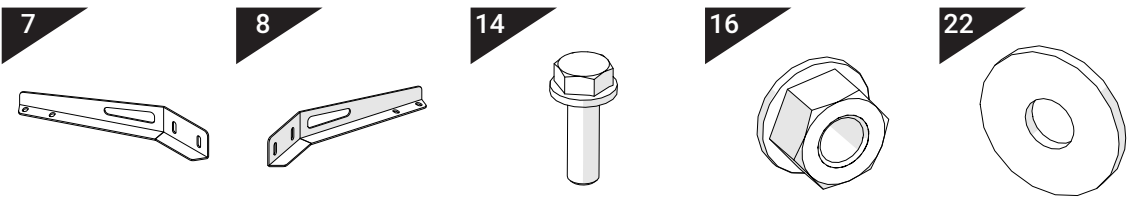


**Step 5 - Fitting the Plate Bracket and Winch (if used)**

Preview



**Parts needed:**



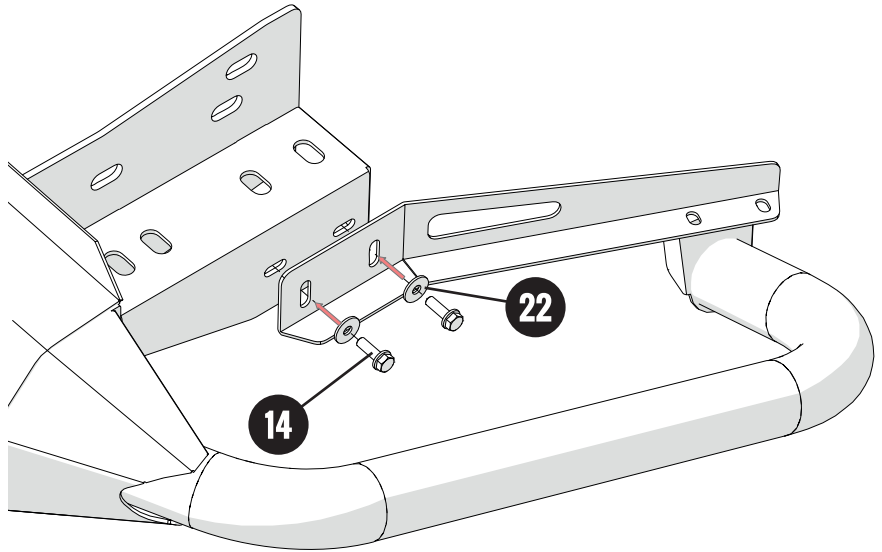
- x1 Reinforcement plate Left Side
- x1 Reinforcement plate Right Side
- x8 Flange Bolt M8x25
- x8 Flange Nut M8
- x16 Washer M8

**Step 5 - Fitting the Plate Bracket and Winch (if used)**

**Installation**

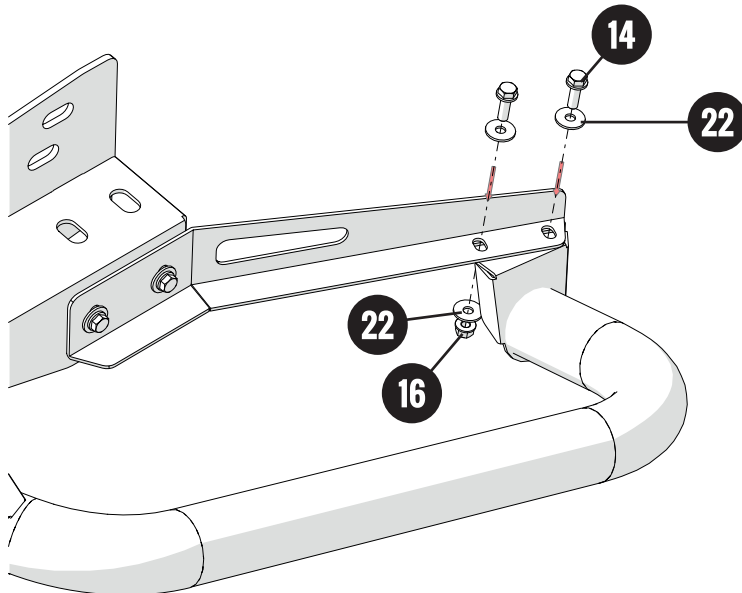
Fit **Reinforcement plate(8)** connecting the **Rear Step Reinforcement(2)** to the **AFN Rear Step Bar(1)**.

Start by fitting **Reinforcement plate(8)** into the **Rear Step Reinforcement(2)** using 2x Flange Bolts M8x25(**14**) with 4x Washers M8(**22**) and 2x Flange Nuts M8(**16**).



Then, fit **Reinforcement plate(8)** to the **AFN Rear Step Bar(1)**.

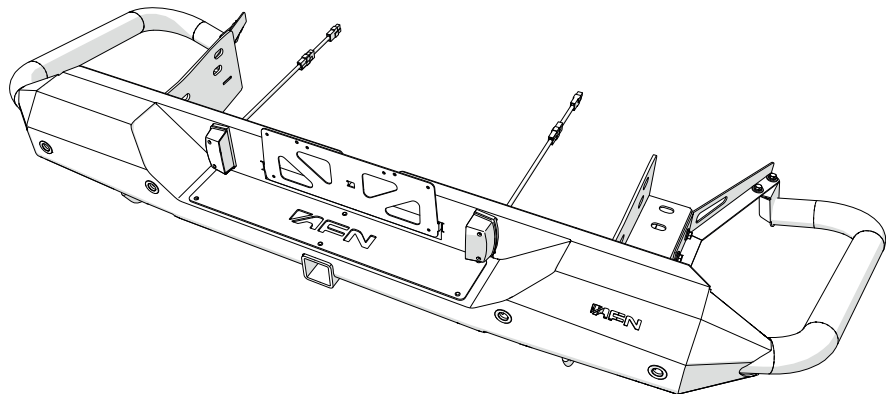
Use 2x Flange Bolts M8x25(**14**) with 4x Washers M8(**22**) and 2x Flange Nuts M8(**16**).



Just finger tight all bolts  
**Do Not tighten yet.**

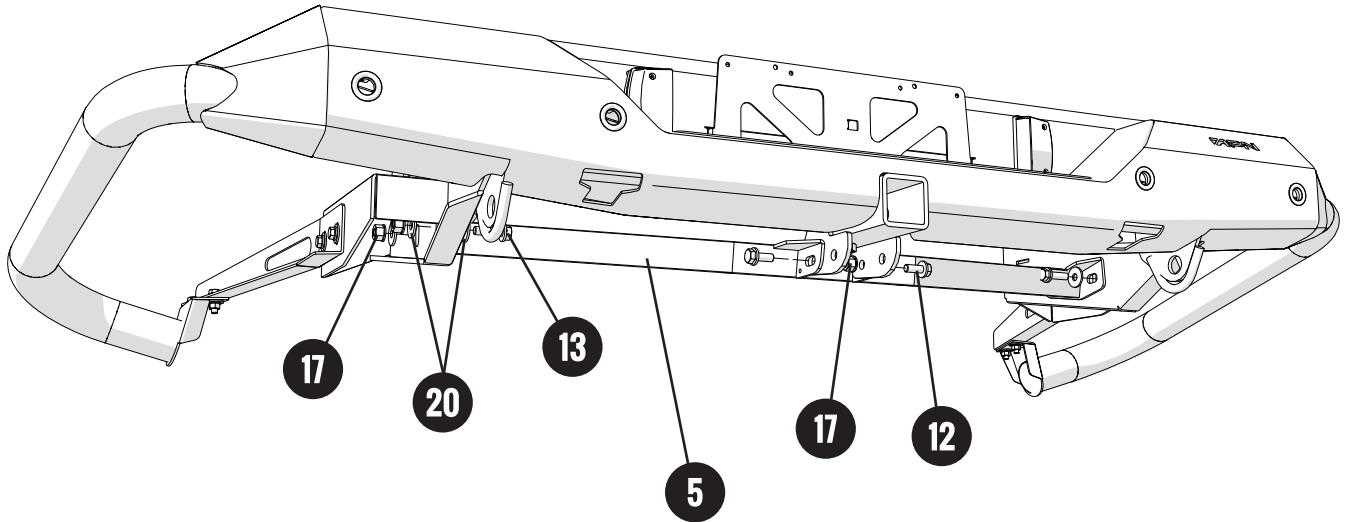
Repeat these steps for the other side using **Reinforcement plate(9)**.

Just finger tight all bolts  
**Do Not tighten yet.**

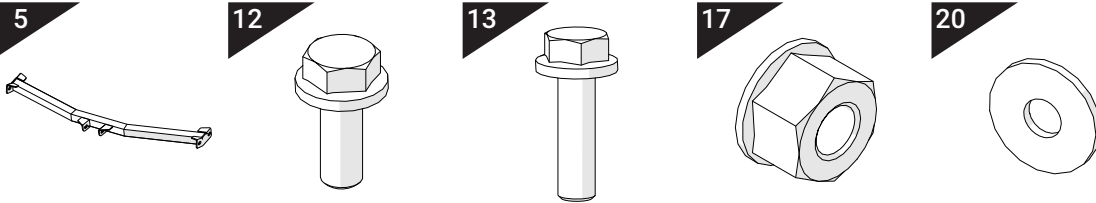


**Step 6 - Fitting the Flaps**

Preview



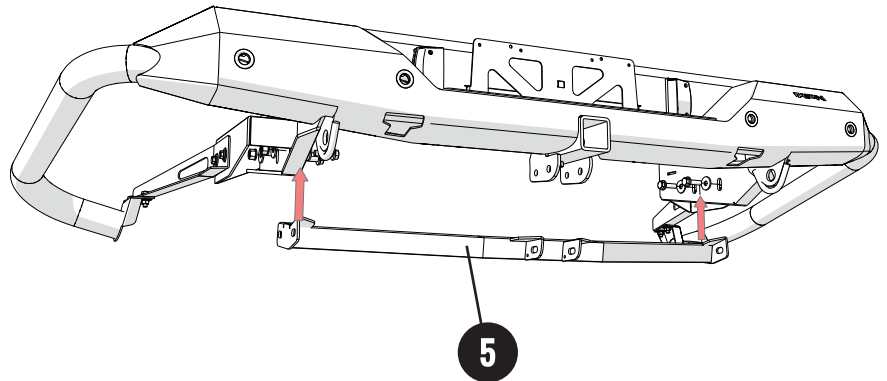
**Parts needed:**



x1 Rear Step Reinforcement Central x12 Flange Bolt M10x25 x2 Flange Bolt M10x35 x2 Flange Nut M10 x12 Washer Mx10

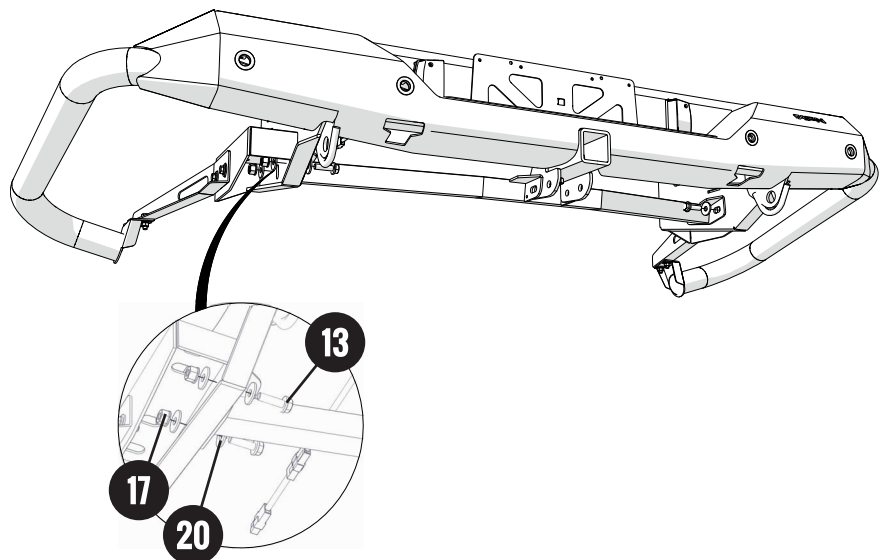
**Step 6 - Fitting the Flaps****Installation**

Fit **Central Rear Step Reinforcement(5)** in the **AFN Rear Step Bar(1)**.



Start by fitting the sides of **Central Rear Step Reinforcement(5)** in the **AFN Rear Step Bar(1)**.

Use 4x Flange Bolts M10x25(12) with 8x Washers M10(20) and 4x Flange Nuts M10(17).

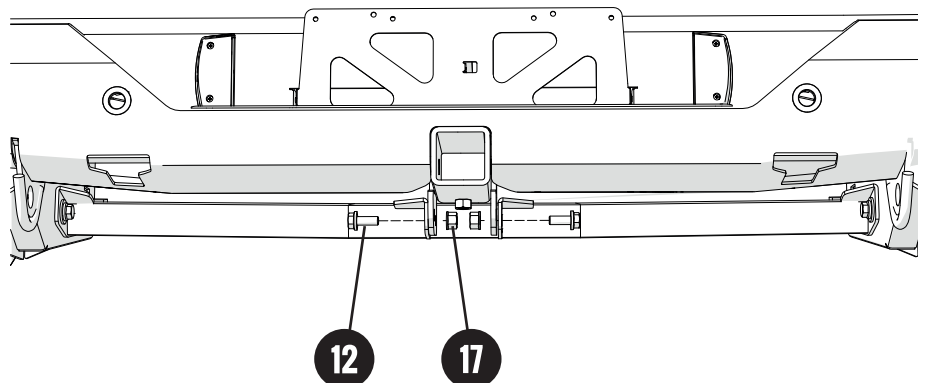


Just finger tight all bolts  
**Do Not tighten yet.**

Then fit the middle of **Central Rear Step Reinforcement(5)** in the **AFN Rear Step Bar(1)**.

Use 2x Flange Bolts M10x25(12) and 2x Flange Nuts M10(17).

Just finger tight all bolts  
**Do Not tighten yet.**



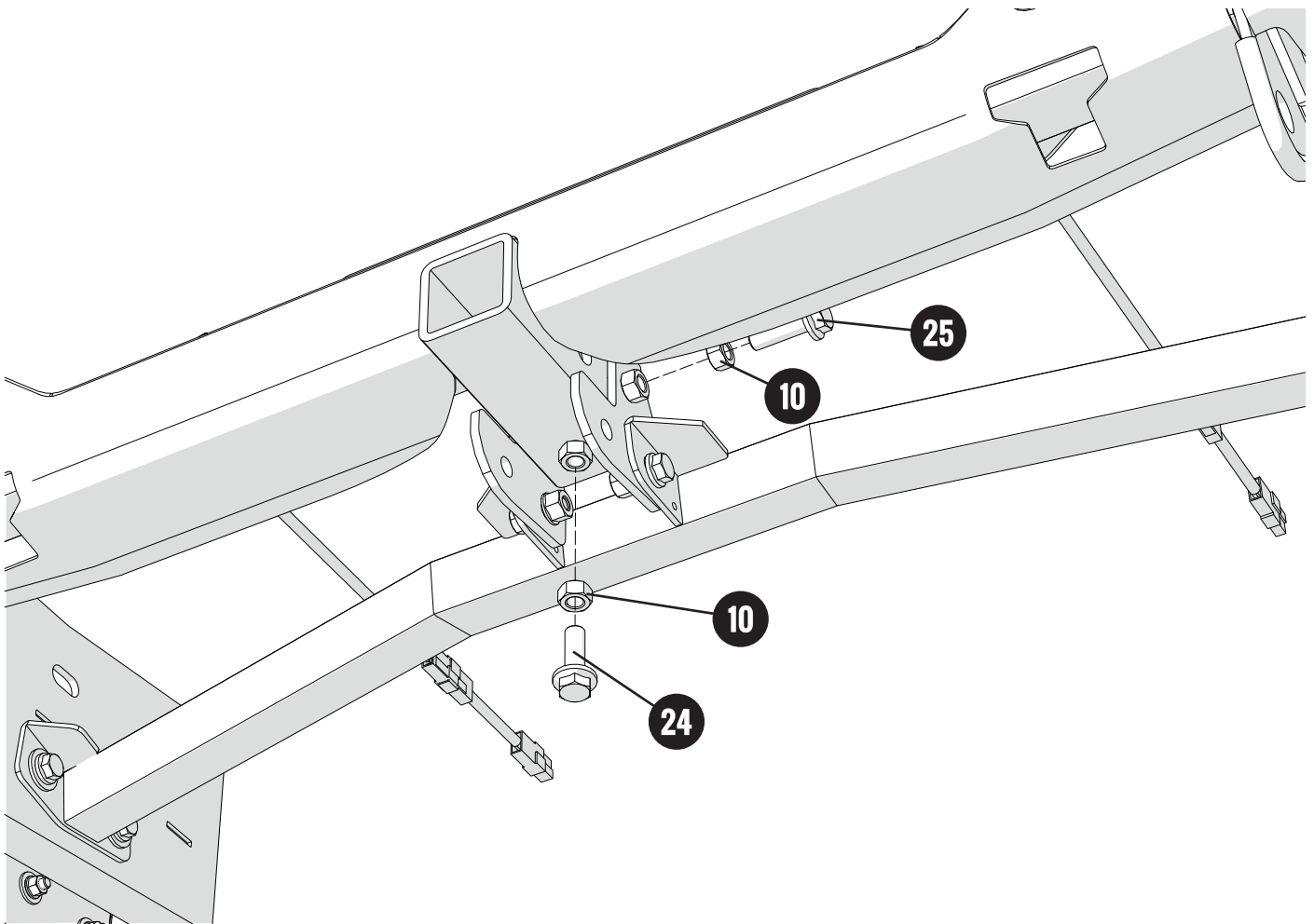
Once that is done, adjust the best way the **AFN Rear Step Bar(1)** to the chassis.

Follow the tightening order present in this manual.

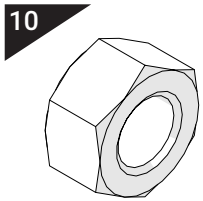
**Give the final torque.**

**Step 7 - Fitting the Front Underbody's Armor**

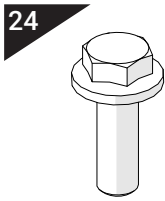
Preview



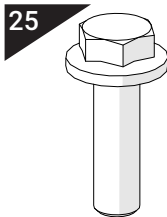
**Parts needed:**



x2 Nut M12



x1 Flange Bolt M12x35



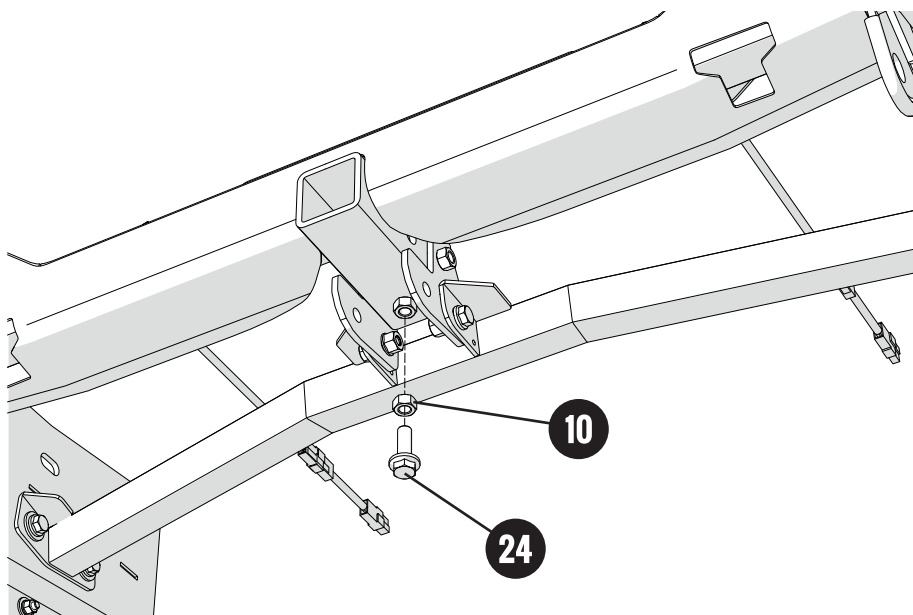
x1 Flange Bolt M12x40

**Step 7 - Fitting the Front Underbody's Armor****Installation**

The following two bolts are made for when you attach the towbar, you may adjust it the best way and correctly secure it.

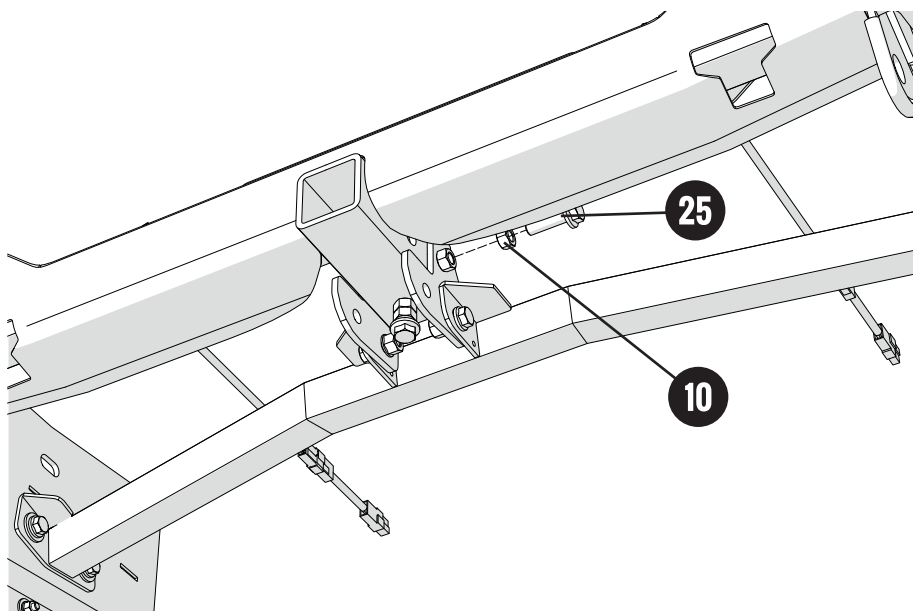
So, start by the bottom and use 1x Bolt M12x35(**24**) with 1x Nut M12(**10**), as showed in the image.

**Give the final torque.**



Then, fit the side using 1x Bolt M12x35(**24**) with 1x Nut M12(**10**), as showed in the image.

**Give the final torque.**



**Step 8 - Final Result**

**Preview**



Your new **AFN REAR STEP BAR / REAR B** is now installed on your **Ford RANGER PX!**  
Have Fun!

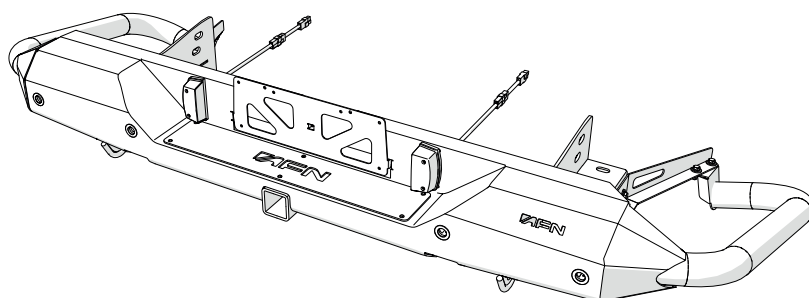
**Reminder !**

Before operating a vehicle fitted with an AFN Rear Step:

- Make sure all fittings are tightened
- Check all electrical wiring attached to lights and parking sensors (if installed)

**Maintenance | Care**

Periodically check and tighten all nuts. Stripped, fractured or bent bolts or nuts need to be replaced.



## 3 RANGER PX CATALOGUE

**AFN 4x4 Accessories** is becoming a well known brand for its products due to its quality, design and safety which are challenged for thousands of people everyday, worldwide.

In its diversity of products we can include, with all-terrain quality, protection, safety and aesthetic accessories. With that being said, **AFN 4x4** has some other accessories that every offroad passionate would like to have, such as **Body Protections, Underbody Protections, Light Holders, Storage** (Wheel Supports and Jerry-can carriers) and others related to the **Aesthetics**.

We have some 4x4 accessories that combine with the original model lines that if you take a closer look you will see that they don't appear to be an accessory, but a must-have.

Please be in mind that some accessories are available only to some models.  
 Feel free to check all the products that may interest you in our website at: [www.afn.pt](http://www.afn.pt)



Ref.: 48002523 - Front Bumper



Ref.: 48002539 - Rear Bar w/ wheel carrier-jerrycan



Ref.: 48002522 - Side Steps



Ref.: 48002521 - Rear Step w/ trailer hitch

## 4 WARRANTY TERMS

**AFN4x4** products are warranted free from defects in materials and workmanship for a period of two (2) years from the date of initial retail purchase. Third-party components are delivered under the original manufacturer warranty.

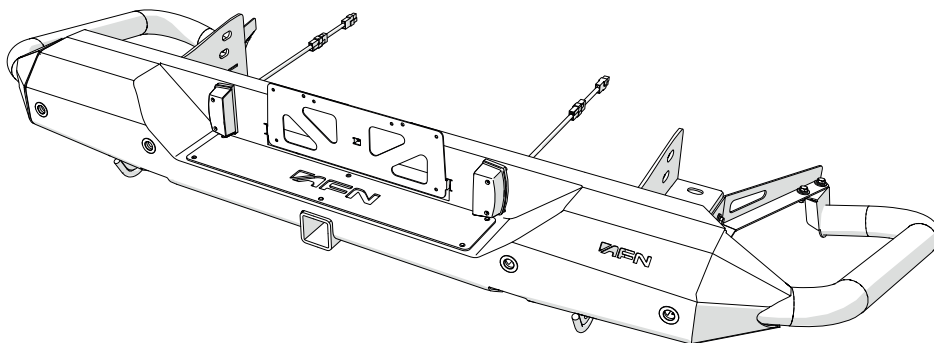
Under the present warranty, **AFN4x4** obligation shall be limited to repairing, replacing or crediting, at its option, any part found to be defective.

**AFN4x4** does not warrant or make any representations concerning its goods when:

- a) The products are purchased used, scratch and dent or when the box was opened.
- b) The products are not installed, used, and maintained strictly in accordance with **AFN4x4**'s instructions.
- c) The products are installed in vehicles that are used in competition.
- d) The products are installed in vehicles fitted with aftermarket non-standard tires with diameters in excess of OEM\* specifications.
- e) The products are installed in vehicles with engines that have been modified to increase performance.

**AFN4x4** will not be responsible for goods damaged in transit. If any goods arrive damaged, please contact the **AFN4x4** as soon as possible. **AFN4x4** will assess and may arrange to have the damaged goods returned to a **AFN4x4** Distributor and arrange for a replacement of the goods. Damaged goods must be returned in the condition received by you with all original packaging, accessories and/or manuals. If they are not returned in same condition sent there may be an additional fee charged.

To file a claim under this warranty please contact **AFN4x4** at +351 256 808 300 or via email at [geral@afn.pt](mailto:geral@afn.pt) to request a *Returned Goods Authorization (RGA)* number and instructions for returning the defective component.





**5 AFN 4x4 PARTNERS**



**01**

**Portugal**

Rua da Madeira, 113  
Z. Industrial das Travessas  
3700-176 S. João da Madeira

T:(00351) 256 838 300/7  
geral@afn.com  
www.afn.com

**02**

**Espanha**

Carretera de Moledo 8  
pol. ind. de Miraflores, Nave 20  
36214, Vigo (Pontevedra)

T:(0034) 986 378338  
info@4x4misutonida.com  
www.4x4misutonida.com

**03**

**Austrália**

19 Flinders Parade  
North lakes  
QLD 4509

T:(0061) 1300 236 494  
sales@afn4x4.com.au  
www.afn4x4.com.au

**04**

**Costa Rica**

Fort overlanding CR,  
Alajuela

T:(0011) 506 8430 0211  
info@fortoverlanding.com  
www.fortoverlanding.com

DON'T JUST SETTLE FOR THE SAME OLD BULL



WWW.AFN.PT | SALES@AFN.PT | FACEBOOK.COM/AFN4X4

# WELCOME TO THE AFN FAMILY



União Europeia

Fundo Europeu de  
Desenvolvimento Regional

