

CRAFTED LIKE NO OTHER

DON'T JUST SETTLE
FOR THE SAME
OLD BULL

OWNER MANUAL

FORD
RANGER PX 2019+
US Version

AFN[®]
4 X 4 ACCESSORIES

WELCOME TO THE AFN FAMILY

This manual contains the **Ford RANGER PX US Version +2019** fitting instructions for:
Side Steps Ref.: 48002522

1 INTRODUCTION



The Company

Founded in 1995, AFN - 4x4 Accessories dedicates itself to the production and commerce of all-terrain accessories. Its constant concern in its customers total satisfaction, and in the ideals of innovation and transformation have granted a position of notability both in the national and international panorama.

The only company in Portugal in the mass production of 4x4 accessories, relies on specialized and experienced technicians, with the most adequate knowledge, to an efficient response capability to its customers demands.

Thanks to the specialization in the several areas of design and manufacture and to a constant investment in technology, AFN has been broadening its wide range of products, without ever neglecting the quality factor.

4x4 Accessories

In its diversity of products we can include, with all-terrain quality, protection, safety and aesthetic accessories.

And it is here that AFN invest on the best technology, the best cut precision of the raw material, and the transformation of products with the quality recognized in the marketplace.

AFN has, at its disposal, resources to test and analyse the resistance of its products and stands in the front row regarding the European homologation of materials dedicated to all terrain.

The contact with the most important test laboratories for vehicles, both in England, Spain and Germany, provides AFN with the know-how to manufacture a wide range of quality products.

Our Design Approach

AFN designs each accessory taking into consideration the original model lines and fitting points. We refuse to have a "one design fits all" solution and we are always looking forward to embrace new challenges on how to adjust a new product into a new model!

The days of just throwing on a bit of steel together to form a protection system are gone. AFN is leading the way modern vehicle protection components are manufactured. Other will follow, and it won't be long where the AFN approach to Styling, Fit, Form and Function will become the benchmark for all other manufacturers.





INDEX

AFN 4x4 Accessories

Product: **Side Steps**

Part Ref.: **48002522**

Introduction 2

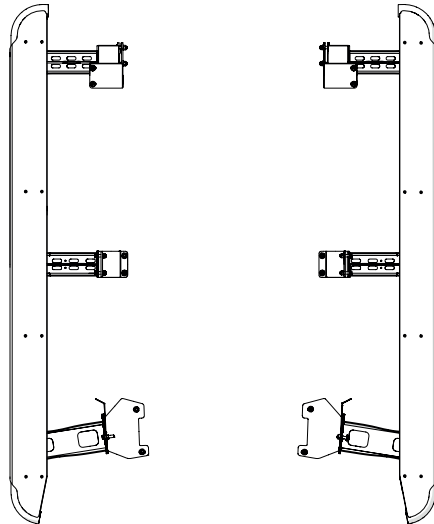
1 Checklist 4
Product 48002522

2 Fitting Instructions 7

3 RANGER PX Catalogue 15

4 Warranty Terms 16

5 AFN 4x4 Partners 17



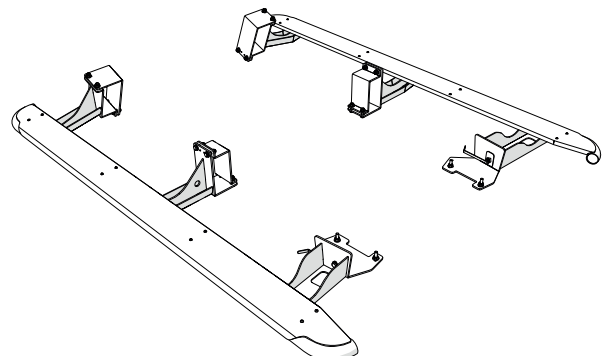
1 CHECKLIST

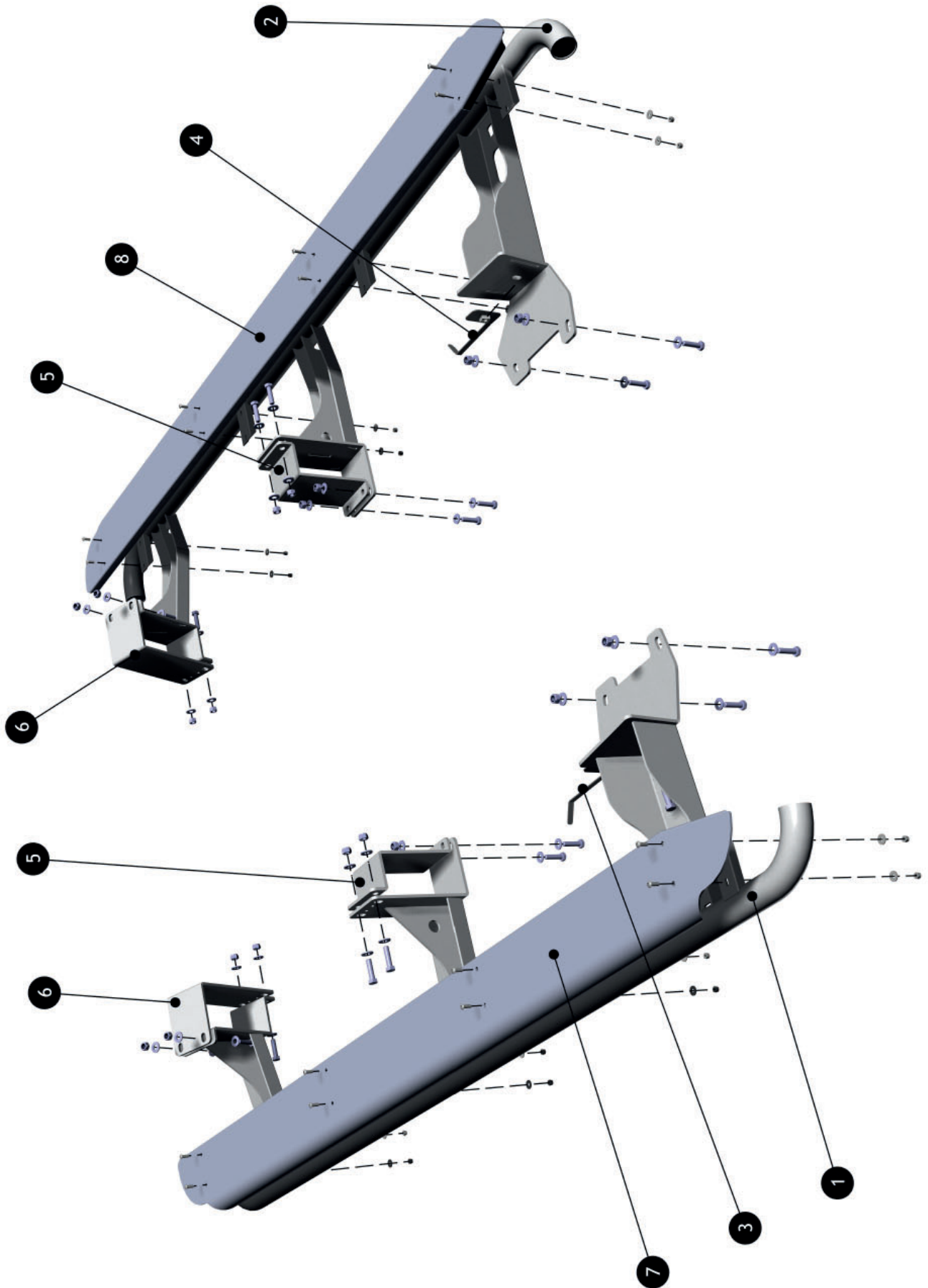


- In this section you have a checklist with all parts included for the installation of your AFN product
- This product should be installed as demonstrated in the product fitting instructions
- If verified that any component is damaged, please contact your nearest AFN distributor
- The specified parts will only fit in the models specified by AFN
- Do not modify any component of the product

This checklist is for product **48002522**.

NUMBER	DESCRIPTION	REFERENCE	QTY
1	Left Side Step for Ford Ranger <i>US version</i>	47002085	1x
2	Right Side Step for Ford Ranger <i>US version</i>	47002084	1x
3	Nut Plate M10	47001956	1x
4	Nut Plate M10	47001955	1x
5	Central Clamp Plate	46007953	2x
6	Rear Clamp Plate	46007945	2x
7	Aluminium Cover Step for Right Side Step	46007943	1x
8	Aluminium Cover Step for Left Side Step	46007642	1x
9	Washer M6	45000500	16x
10	Bolt M6x16	45000321	16x
11	Nylock Nut M6	45000294	16x
12	Bolt M10x40	45000220	22x
13	Washer M10	45000039	42x
14	Nylock Nut M10	45000017	20x





2 FITTING INSTRUCTIONS

WARNING:

Before you begin installation, read all instructions thoroughly. Proper tools will improve the quality of installation and reduce the time required.

- This product should be installed as demonstrated in the *Product «Fitting Instructions»*;
- The specified parts, will only fit the models specified by **AFN**;
- Do not modify any component of the product;
- It is recommended that this product is installed by specialized and trained personnel;
- AFN doesn't take responsibility for changes made in the vehicle by its manufacturer;
- Work safely and use specialized tools at all times;
- **Always use protective gear.**

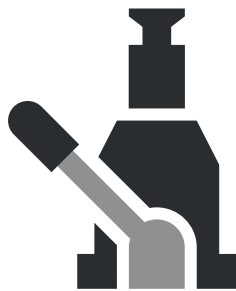
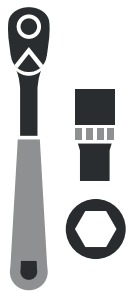


Size	Torque Nm	Torque lbft
M6	9 Nm	7 lbft
M8	22 Nm	16 lbft
M10	44 Nm	32 lbft
M12	77 Nm	57 lbft

Mouting Time

- 2 hours
- 2 persons (recommended)

Tools Required



- Wrench
- Ratchet wrench
- Hydraulic Jack
- Lift

Step 1 - Remove the OEM* Side Steps

Start by removing the **OEM* Side Steps**, if your **Vehicle** is equipped with them.

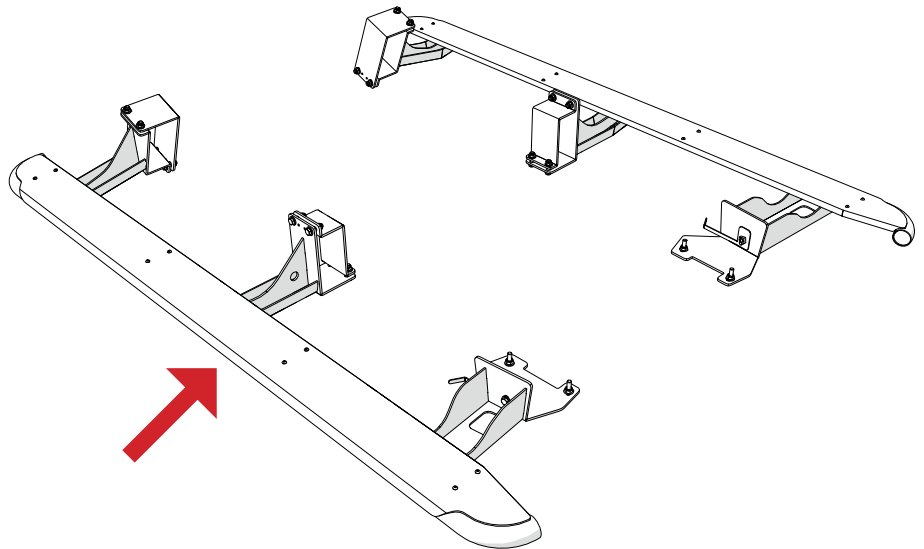


Start by putting the **Vehicle** in a Lift.

(We do recommend to use a lift).

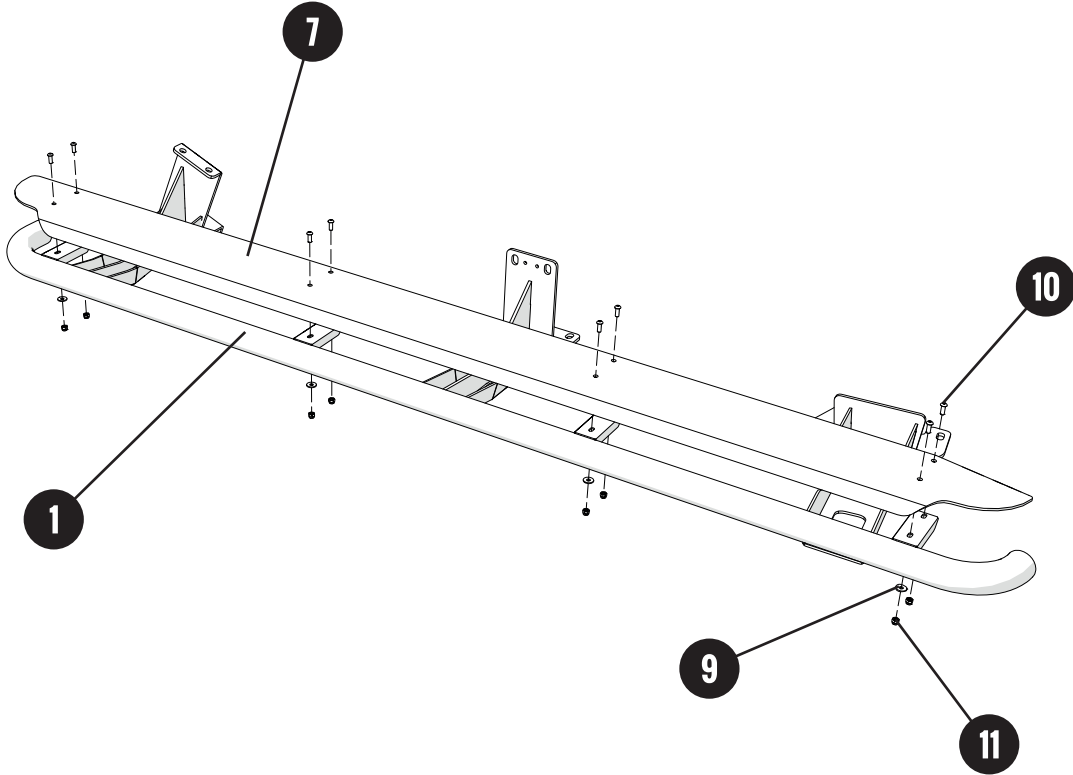
*Please mind that both **Fitting Instructions** are equal, so this fitting instructions applies to both of them.*

*The images shown are for the **Left Side Step**.*

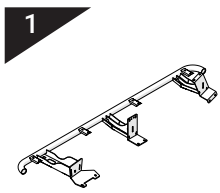


Step 2 - Preparation of the AFN Side Steps

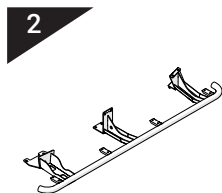
Preview



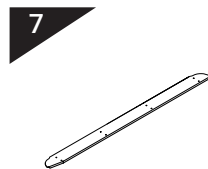
Parts needed:



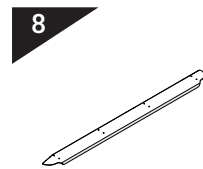
x1 Left Side Step Ranger
Us version



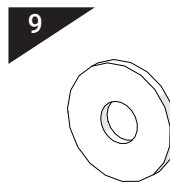
x1 Right Side Step Ranger
Us version



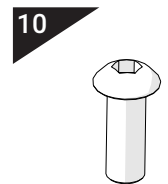
x1 Aluminium Cover Step
Right Side



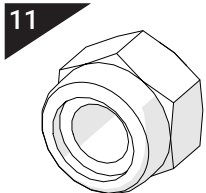
x1 Aluminium Cover Step
Left Side



x16 Washer M6



x16 Bolt M6x16



x16 Nylock Nut M6

Step 2 - Preparation of the AFN Side Steps

Installation

ATTENTION!

The following step *only applies if the Wheel Carrier is not mounted, or if by any case there is a need to dismount it. Proceed to next Step.*

Before inserting the **Left AFN Side Step(1)** on the vehicle there are some details that we advise to do first (so, place it on a flat working surface).

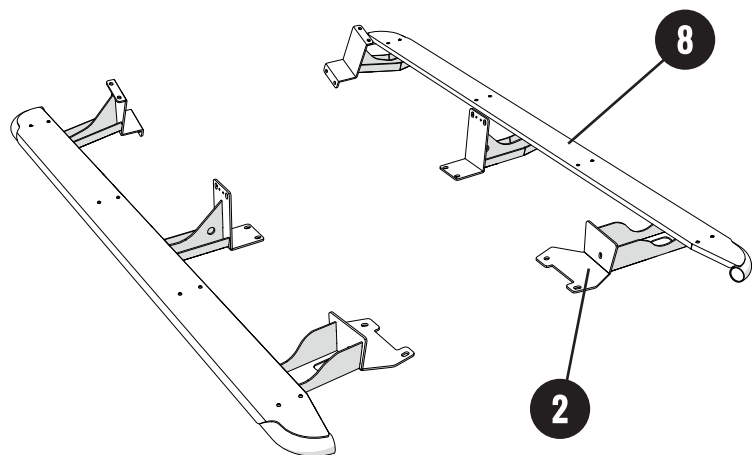
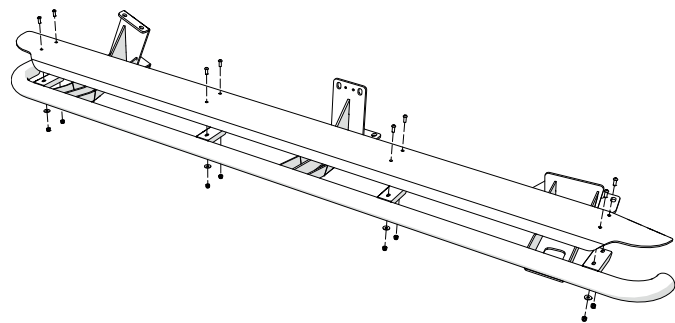
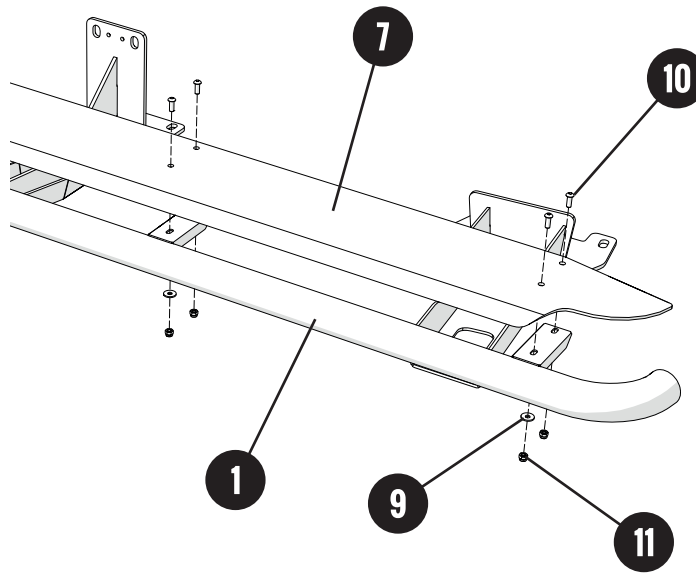
Start by fitting the **Aluminium Cover Step(7)** in the **Left AFN Side Step(1)**.

Use 8x Bolts **M6x16(10)** with 8x Washers **M6(9)**, and 8x Nylock Nuts **M6(11)**.

Once everything is correctly fitted,
Give the final torque on all bolts.

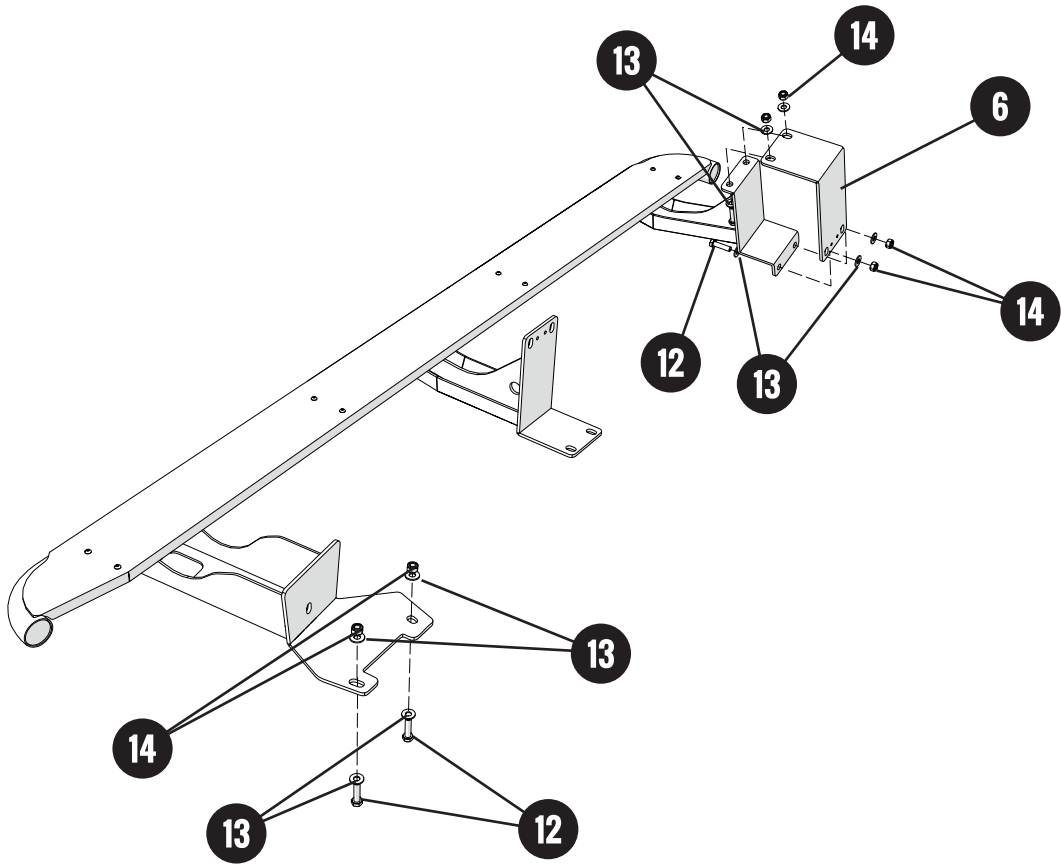
Repeat the same step for the other side **Right AFN Side Step(2)** with the **Aluminium Cover Step(8)**.

Once everything is correctly fitted,
Give the final torque on all bolts.

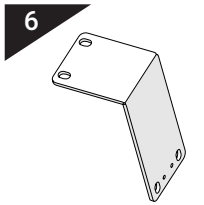


Step 3 - Fitting the AFN Side Step (Front and Rear) to the Vehicle

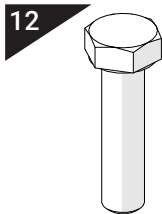
Preview



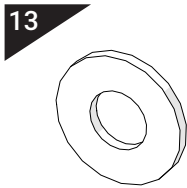
Parts needed:



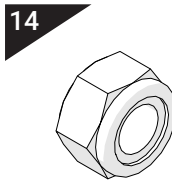
x2 Rear Clamp Plate



x6 Bolt M10x40



x12 Washer M10



x6 Nylock Nut M10

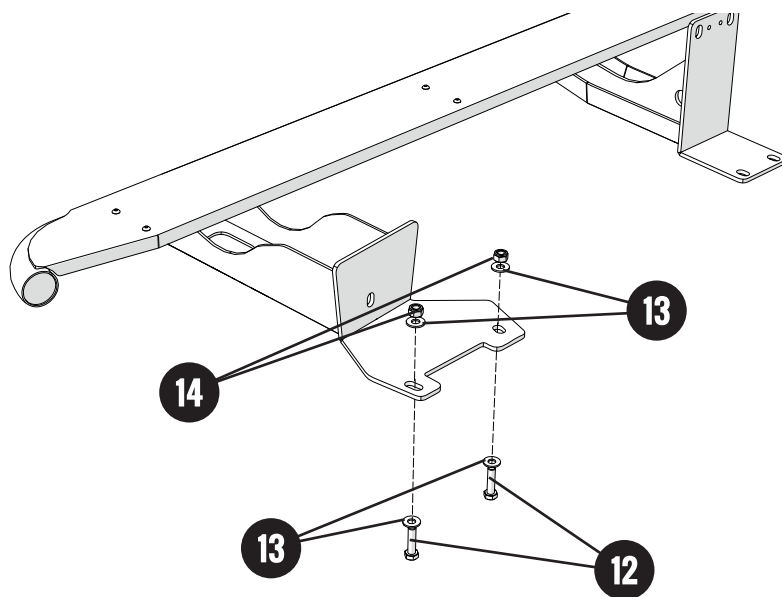
Step 3 - Fitting the AFN Side Step (Front and Rear) to the Vehicle

Installation

Fit the front of **Left AFN Side Step(1)** on the **vehicle**.

Use 2x Bolts **M10x40(12)** with 4x Washers **M10(13)**, and 2x Nylock Nuts **M10(14)**.

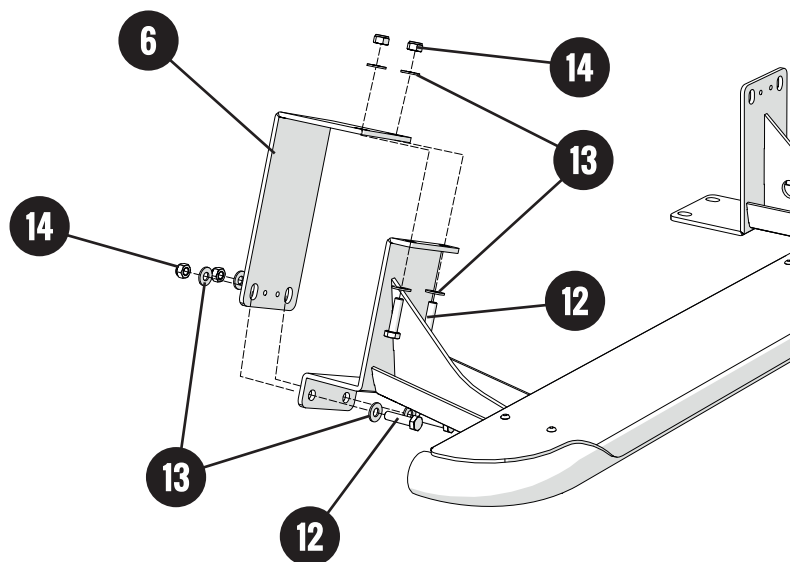
Just finger tight both bolts
Do Not tighten yet.



Then, fit the rear part of the **Left AFN Side Step(1)** with 1x Rear Clamp Plate(6) in the **vehicle**.

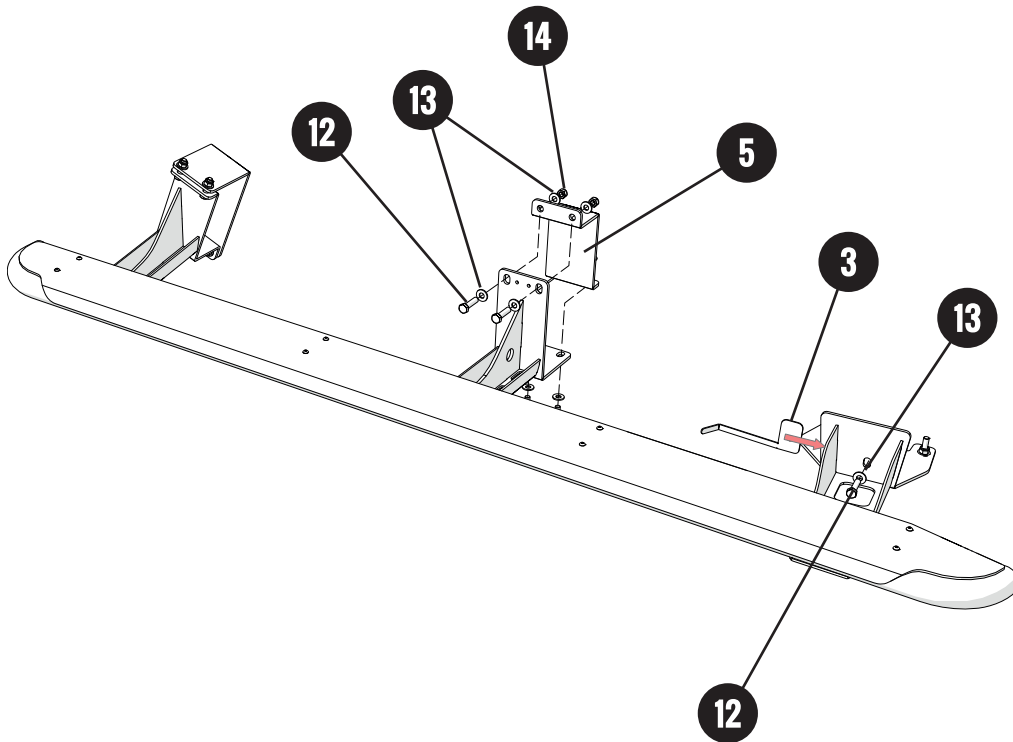
Use 4x Bolts **M10x40(12)** with 8x Washers **M10(13)**, and 4x Nylock Nuts **M10(14)**.

Just finger tight both bolts
Do Not tighten yet.

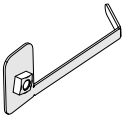
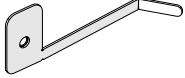
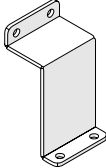
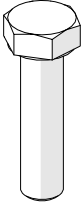
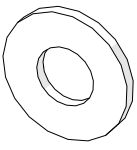
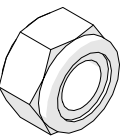


Step 4 - Fitting the Middle of AFN Side Step to the Vehicle

Preview



Parts needed:

- | | | | | | |
|---|---|---|---|---|---|
| 3 | 4 | 5 | 12 | 13 | 14 |
|  |  |  |  |  |  |
| x1 Nut Plate M10 | x1 Nut Plate M10 | x2 Central Clamp Plate | x10 Bolt M10x40 | x18 Washer M10 | x8 Nylock Nut M10 |

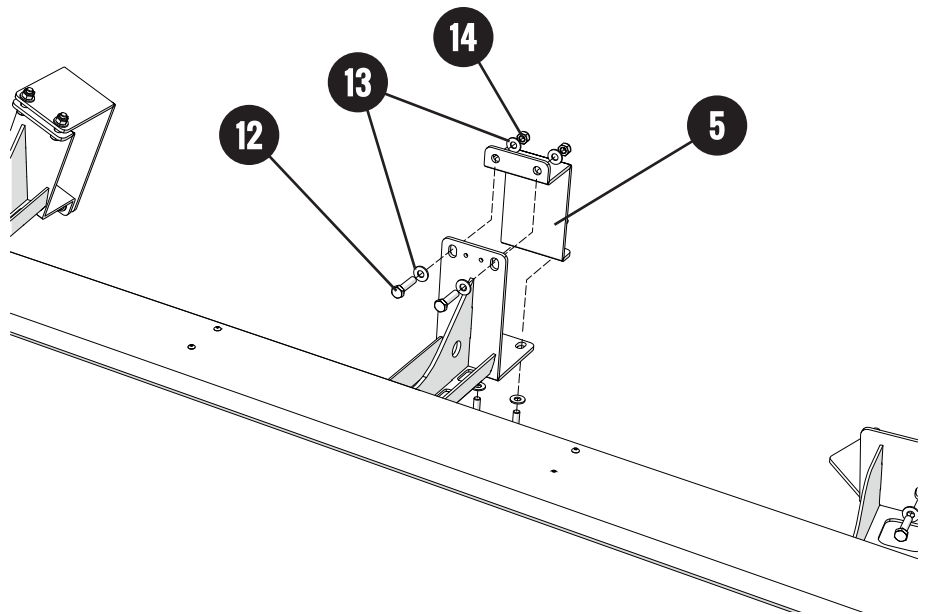
Step 4 - Fitting the Middle of AFN Side Step to the Vehicle

Installation

Once the **Left AFN Side Step(1)** is secured, fit the middle of it, with 1x Central Clamp Plate(5).

Use 4x Bolts **M10x40(12)** with 8x Washers **M10(13)**, and 4x Nylock Nuts **M10(14)**.

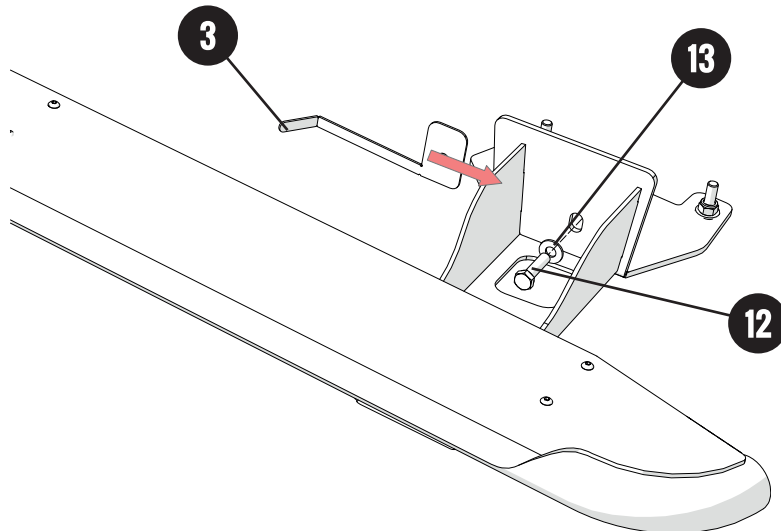
Just finger tight both bolts
Do Not tighten yet.



Then, go to the front of the **Left AFN Side Step(1)** and fit it on the **Vehicle**.

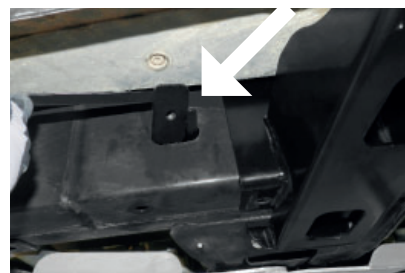
Use 1x Bolt **M10x30(12)** with 1x Washer **M10(13)** and 1x Nut Plate **M10(3)**.

Just finger tight both bolts
Do Not tighten yet.

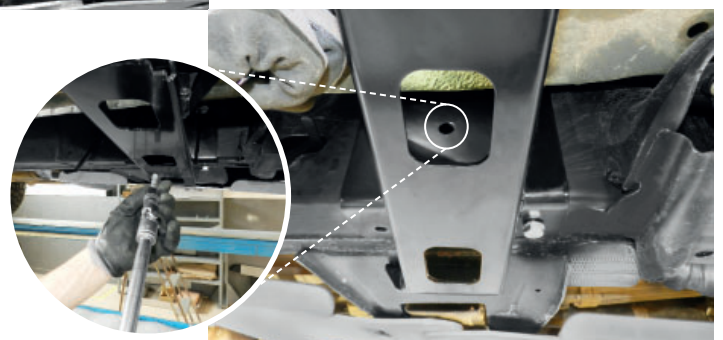


Once that is done, it's time to full tight all bolts, please do follow tightening order demonstrated in this manual.

Once everything is correctly fitted,
Give the final torque on all bolts.



Repeat all the steps for the other side using the **Right AFN Side Step(2)**.



Step 5 - Final Result

Preview



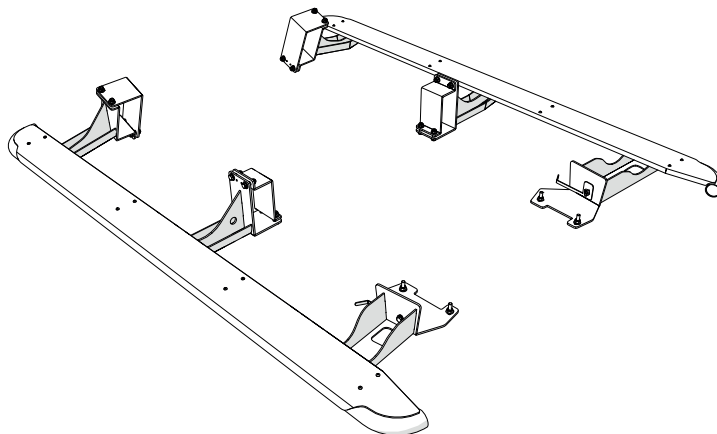
Your new **AFN SIDE STEPS** are now installed on your **Ford RANGER PX!**
Have Fun!

Reminder !

Before operating a vehicle fitted with an AFN Side Steps:
- Make sure all fittings are tightened

Maintenance | Care

Periodically check and tighten all nuts. Stripped, fractured or bent bolts or nuts need to be replaced.



3 RANGER PX CATALOGUE

AFN 4x4 Accessories is becoming a well known brand for its products due to its quality, design and safety which are challenged for thousands of people everyday, worldwide.

In its diversity of products we can include, with all-terrain quality, protection, safety and aesthetic accessories. With that being said, **AFN 4x4** has some other accessories that every offroad passionate would like to have, such as **Body Protections, Underbody Protections, Light Holders, Storage** (Wheel Supports and Jerry-can carriers) and others related to the **Aesthetics**.

We have some 4x4 accessories that combine with the original model lines that if you take a closer look you will see that they don't appear to be an accessory, but a must-have.

Please be in mind that some accessories are available only to some models.

Feel free to check all the products that may interest you in our website at: www.afn.pt



Ref.: 48002523 - Front Bumper



Ref.: 48002539 - Rear Bar w/ wheel carrier-jerrycan



Ref.: 48002522 - Side Steps



Ref.: 48002521 - Rear Step w/ trailer hitch



Ref.: 48002656 - Sump Skid Plate

4 WARRANTY TERMS

AFN4x4 products are warranted free from defects in materials and workmanship for a period of two (2) years from the date of initial retail purchase. Third-party components are delivered under the original manufacturer warranty.

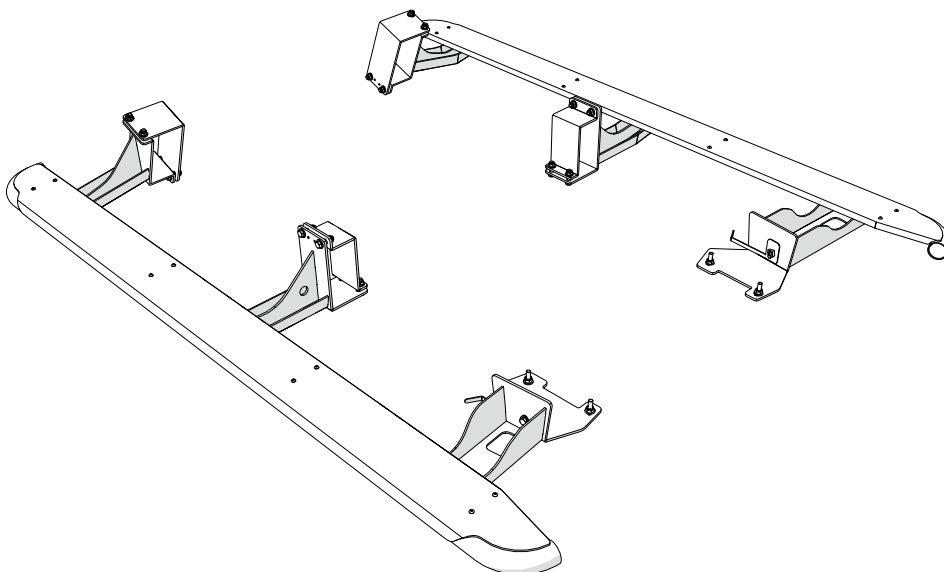
Under the present warranty, **AFN4x4** obligation shall be limited to repairing, replacing or crediting, at its option, any part found to be defective.

AFN4x4 does not warrant or make any representations concerning its goods when:

- a) The products are purchased used, scratch and dent or when the box was opened.
- b) The products are not installed, used, and maintained strictly in accordance with **AFN4x4**'s instructions.
- c) The products are installed in vehicles that are used in competition.
- d) The products are installed in vehicles fitted with aftermarket non-standard tires with diameters in excess of OEM* specifications.
- e) The products are installed in vehicles with engines that have been modified to increase performance.

AFN4x4 will not be responsible for goods damaged in transit. If any goods arrive damaged, please contact the **AFN4x4** as soon as possible. **AFN4x4** will assess and may arrange to have the damaged goods returned to a **AFN4x4** Distributor and arrange for a replacement of the goods. Damaged goods must be returned in the condition received by you with all original packaging, accessories and/or manuals. If they are not returned in same condition sent there may be an additional fee charged.

To file a claim under this warranty please contact **AFN4x4** at +351 256 808 300 or via email at geral@afn.pt to request a *Returned Goods Authorization (RGA)* number and instructions for returning the defective component.





5 AFN 4x4 PARTNERS



01

Portugal

Rua da Madeira, 113
Z. Industrial das Travessas
3700-176 S. João da Madeira

T:(00351) 256 838 300/7
geral@afn.com
www.afn.com

02

Espanha

Carretera de Moledo 8
pol. ind. de Miraflores, Nave 20
36214, Vigo (Pontevedra)

T:(0034) 986 378338
info@4x4misutonida.com
www.4x4misutonida.com

03

Austrália

19 Flinders Parade
North lakes
QLD 4509

T:(0061) 1300 236 494
sales@afn4x4.com.au
www.afn4x4.com.au

04

Costa Rica

Fort overlanding CR,
Alajuela

T:(0011) 506 8430 0211
info@fortoverlanding.com
www.fortoverlanding.com

DON'T JUST SETTLE FOR THE SAME OLD BULL



WWW.AFN.PT | SALES@AFN.PT | FACEBOOK.COM/AFN4X4

WELCOME TO THE AFN FAMILY



PROGRAMA OPERACIONAL REGIONAL DO NORTE



União Europeia

Fundo Europeu de Desenvolvimento Regional

