

# CRAFTED LIKE NO OTHER

DON'T JUST SETTLE  
FOR THE SAME  
OLD BULL

OWNER MANUAL

FORD  
RANGER PX 2019+  
US Version

**AFN**<sup>®</sup>  
4 X 4 ACCESSORIES



## WELCOME TO THE AFN FAMILY

This manual contains the **Ford RANGER PX US Version +2019** fitting instructions for:  
**Front Bumper Ref.: 48002523**

# 1 INTRODUCTION



## The Company

Founded in 1995, AFN - 4x4 Accessories dedicates itself to the production and commerce of all-terrain accessories. Its constant concern in its customers total satisfaction, and in the ideals of innovation and transformation have granted a position of notability both in the national and international panorama.

The only company in Portugal in the mass production of 4x4 accessories, relies on specialized and experienced technicians, with the most adequate knowledge, to an efficient response capability to its customers demands.

Thanks to the specialization in the several areas of design and manufacture and to a constant investment in technology, AFN has been broadening its wide range of products, without ever neglecting the quality factor.

## 4x4 Accessories

In its diversity of products we can include, with all-terrain quality, protection, safety and aesthetic accessories.

And it is here that AFN invest on the best technology, the best cut precision of the raw material, and the transformation of products with the quality recognized in the marketplace.

AFN has, at its disposal, resources to test and analyse the resistance of its products and stands in the front row regarding the European homologation of materials dedicated to all terrain.

The contact with the most important test laboratories for vehicles, both in England, Spain and Germany, provides AFN with the know-how to manufacture a wide range of quality products.

## Our Design Approach

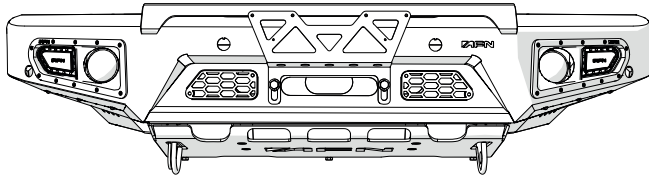
AFN designs each accessory taking into consideration the original model lines and fitting points. We refuse to have a "one design fits all" solution and we are always looking forward to embrace new challenges on how to adjust a new product into a new model!

The days of just throwing on a bit of steel together to form a protection system are gone. AFN is leading the way modern vehicle protection components are manufactured. Other will follow, and it won't be long where the AFN approach to Styling, Fit, Form and Function will become the benchmark for all other manufacturers.





## INDEX



**AFN 4x4 Accessories**  
Product: **Front Bumper**  
Part Ref.: **48002523**

Introduction 2

1 Checklist 4  
Product 48002523

2 Fitting Instructions 7

3 RANGER PX Catalogue 25

4 Warranty Terms 26

5 AFN 4x4 Partners 27



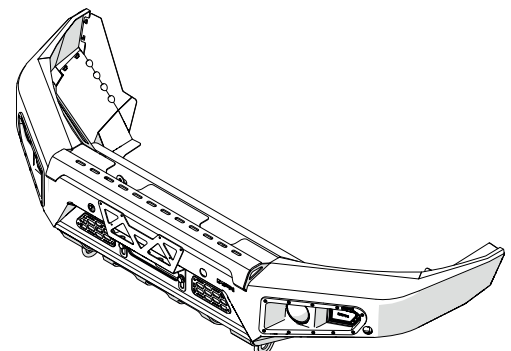
# 1 CHECKLIST

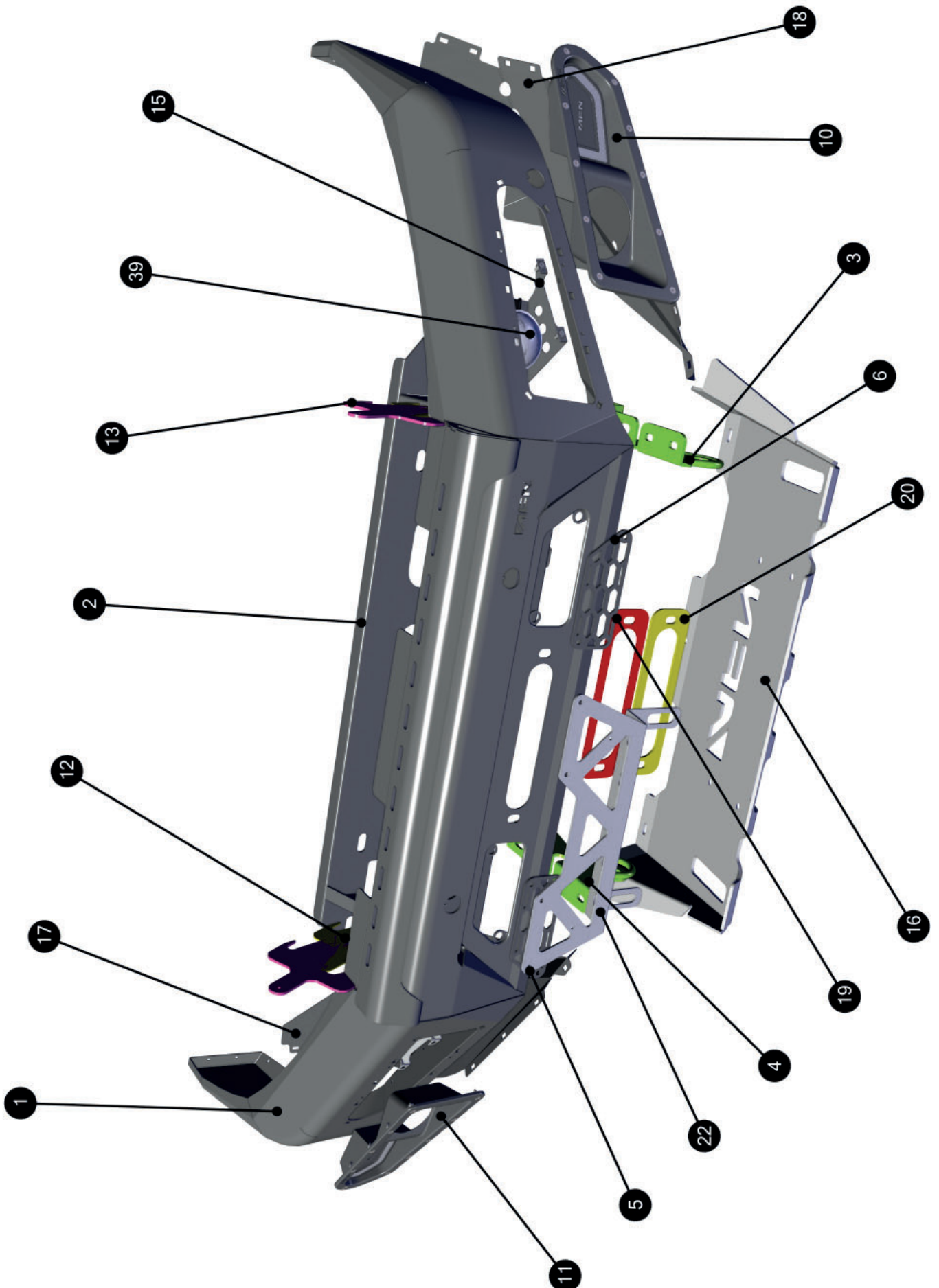


- In this section you have a checklist with all parts included for the installation of your AFN product
- This product should be installed as demonstrated in the product fitting instructions
- If verified that any component is damaged, please contact your nearest AFN distributor
- The specified parts will only fit in the models specified by AFN
- Do not modify any component of the product

This checklist is for product **48002523**.

NUMBER	DESCRIPTION	REFERENCE	QTY	NUMBER	DESCRIPTION	REFERENCE	QTY
1	Front Bumper Ford Ranger <i>US version</i>	47002037	1x	25	Bolt M4x15	45001100	4x
2	Winch Bracket Ford Ranger <i>US version</i>	47002038	1x	26	Washer M4	45001042	4x
3	Right Recovery Point	47002039	1x	27	Nylock Nut M12	45001033	2x
4	Left Recovery Point	47002040	1x	28	Bolt M12x30	45001027	2x
5	Bumper Grill ( <i>Right Side</i> )	47002082	1x	29	Bolt M5x30	45001019	4x
6	Bumper Grill ( <i>Left Side</i> )	47002083	1x	30	Cage Nut M6	45001012	12x
7	Triple Nut Plate ( <i>Left Side</i> )	47002142	1x	31	Bolt M6x20	45000998	12x
8	Triple Nut Plate ( <i>Right Side</i> )	47002143	1x	32	Washer M12	45000995	4x
9	Parking Sensor Bracket <b>Ranger PX</b>	48002404	4x	33	Bolt M5x16	45000982	8x
10	Fog Lights Kit ( <i>Right Side</i> )	48002544	1x	34	Cage Nut M4	45000949	4x
11	Fog Lights Kit ( <i>Left Side</i> )	48002545	1x	35	Nylock Nut M10	45000935	3x
12	Side Winch Bracket Shim <b>2,5mm thickness</b>	46008244	2x	36	Bolt M10x30	45000934	4x
13	Side Winch Bracket Shim <b>4mm thickness</b>	46008243	2x	37	Washer M6	45000931	12x
14	Aluminium Bracket for Fog Light ( <i>Left Side</i> )	46007801	1x	38	Fog Light ( <i>Right Side</i> )	45000897	1x
15	Aluminium Bracket for Fog Light ( <i>Right Side</i> )	46007800	1x	39	Fog Light ( <i>Left Side</i> )	45000896	1x
16	Front Skid Plate	46007799	1x	40	Rubber	45000502	1x
17	Left Flap	46007788	1x	41	Washer M5	45000476	8x
18	Right Flap	46007787	1x	42	Nylock Nut M5	45000402	8x
19	Front Winch Bracket Shim <b>2mm thickness</b>	46007413	1x	43	Washer M10	45000311	6x
20	Front Winch Bracket Shim <b>4mm thickness</b>	46007412	1x	44	Bolt M10x35	45000309	3x
21	Square Washer M12 40x40	46007001	6x	45	Bolt M12x35	45000067	6x
22	Plate Bracket	46005518	1x	46	Nylock Nut M10	45000017	4x
23	Rubber Nut	45001269	4x	47	Washer M10	45000010	16x
24	Flange Nut M4	45001166	8x	48	Bolt M10x30	45000007	4x





## 2 FITTING INSTRUCTIONS

**WARNING:**

Before you begin installation, read all instructions thoroughly. Proper tools will improve the quality of installation and reduce the time required.

- This product should be installed as demonstrated in the *Product «Fitting Instructions»*;
- The specified parts, will only fit the models specified by **AFN**;
- Do not modify any component of the product;
- It is recommended that this product is installed by specialized and trained personnel;
- AFN doesn't take responsibility for changes made in the vehicle by its manufacturer;
- Work safely and use specialized tools at all times;
- **Always use protective gear.**

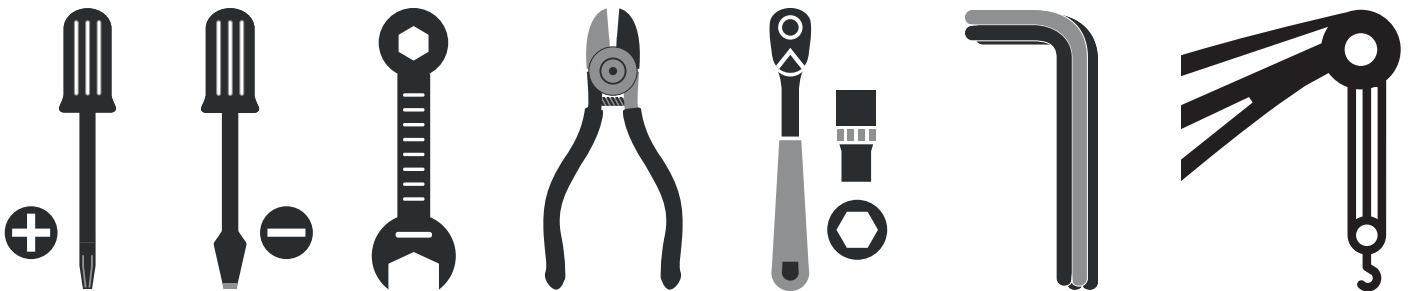


Size	Torque Nm	Torque lbft
M6	9 Nm	7 lbft
M8	22 Nm	16 lbft
M10	44 Nm	32 lbft
M12	77 Nm	57 lbft

### Mouting Time

- 4 hours
- 2 persons (recommended)

### Tools Required



- Screwdriver star head
- Screwdriver flat head
- Wrench
- Wire cutter
- Ratchet wrench
- Allen wrench
- Crane

## Step 1 - Remove the OEM\* Bumper

The following steps are for the disassembling process.



Start by removing the OEM\* Underbody Protection.



\*OEM - Original Equipment Manufacturer

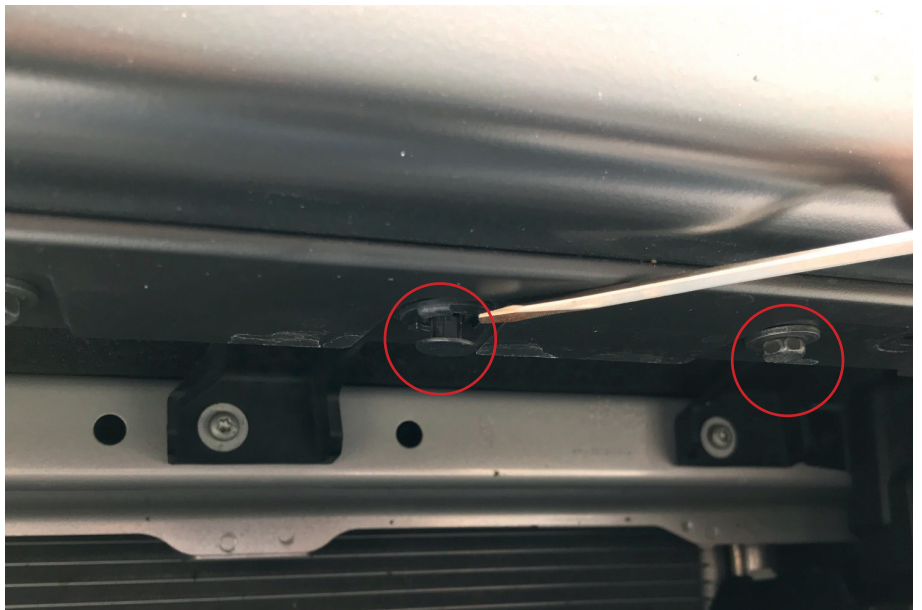
## Step 1.1 - Removing the OEM\* Bumper

Once that is done, unscrew the front pins.

Afterwards, remove the bolts that are next to these pins.

Then, remove the front grid, as shown.

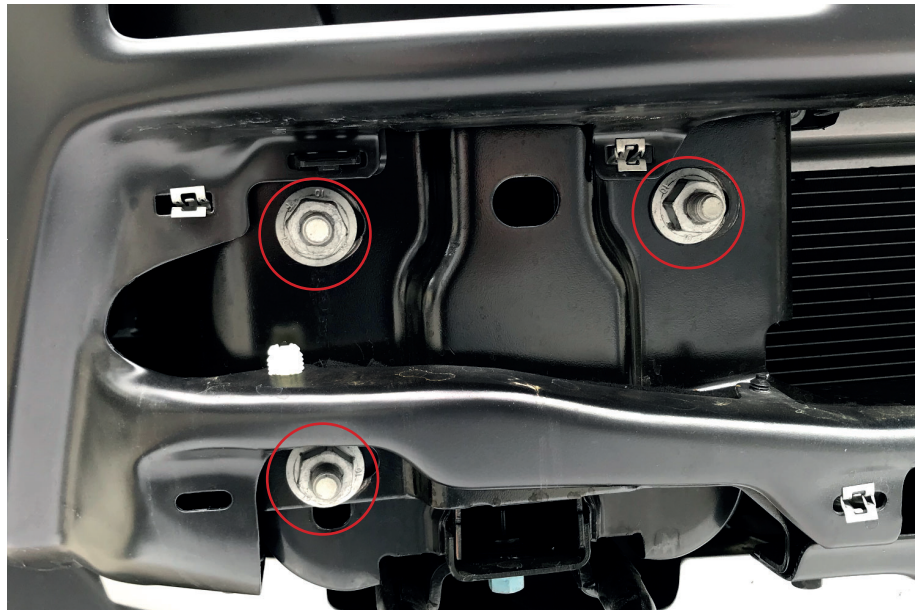
if you done correctly, it should look like the image on the right.



## Step 1.2 - Removing the OEM\* Bumper

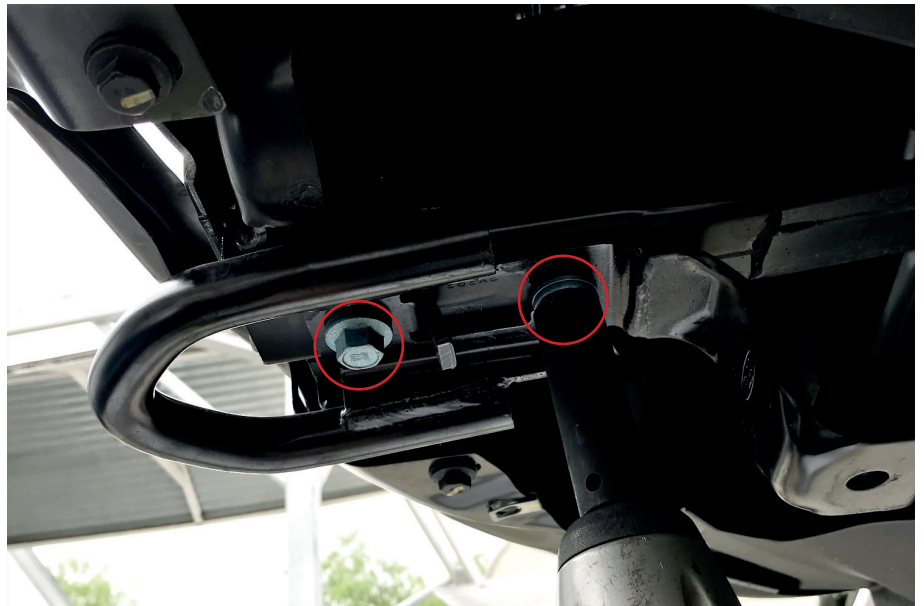
Once that is done, unscrew the front bolts fixing the *OEM\** Bumper to the Vehicle Chassis. **6x Bolts**

Now the *OEM\** Bumper can be removed.



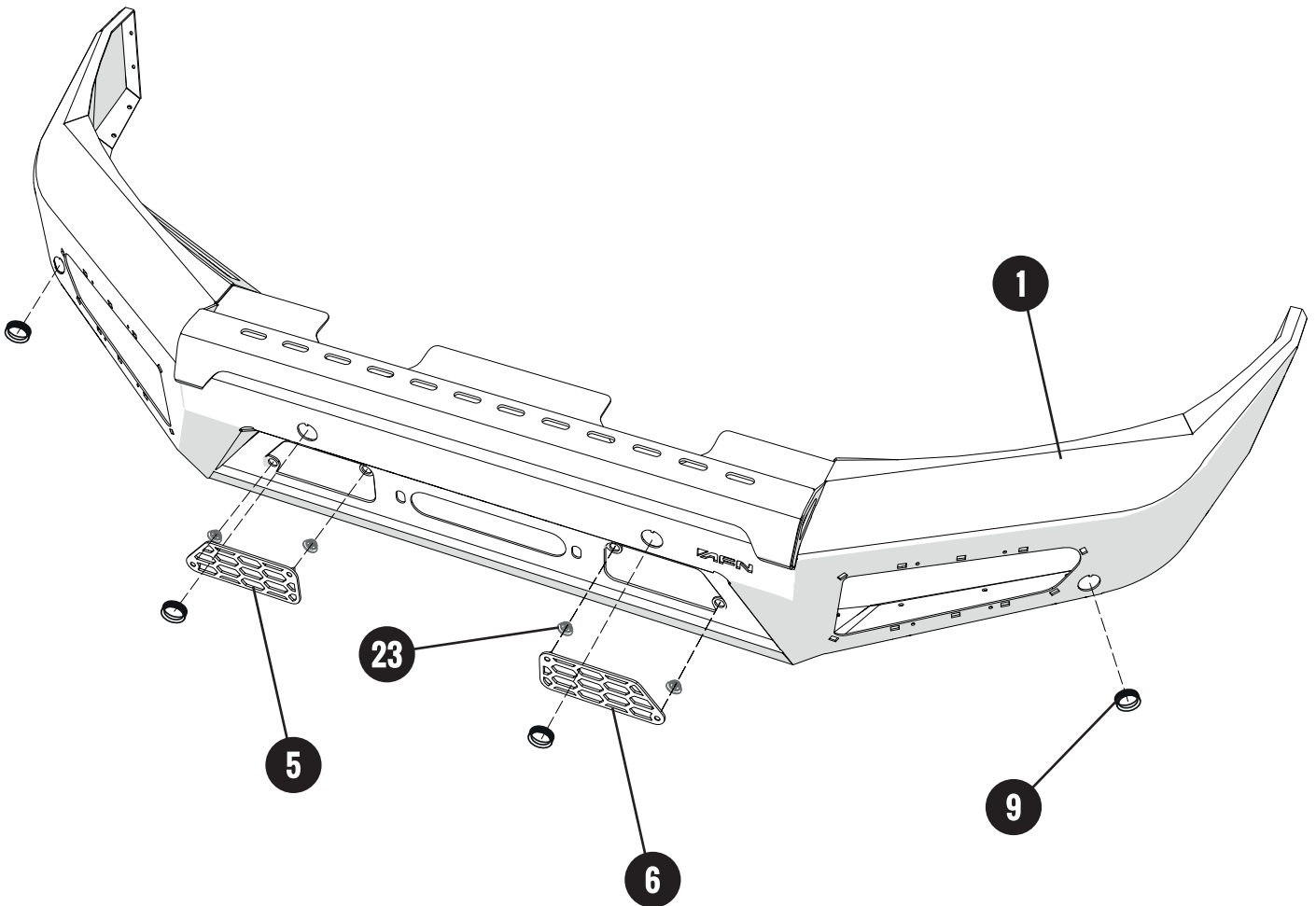
Finally remove the *OEM\** Recovery Point, unscrew both bolts in the image.

Repeat this step for the other *OEM\** Recovery Point, on the other side.

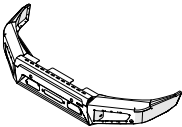
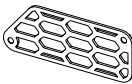
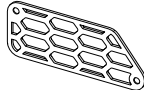

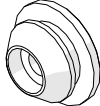



**Step 2 - Preparation of the AFN Bullbar | Bumper**

Preview



**Parts needed:**

- |   |   |   |  |  |  |
|---|---|---|--|--|--|
| <b>1</b><br> | <b>5</b><br> | <b>6</b><br> | <b>9</b><br> | <b>23</b><br> | <b>40</b><br> |
| <b>x1</b> Front Bumper Ranger Us version  | <b>x1</b> Bumper Grill Right Side   | <b>x1</b> Bumper Grill Left Side  | <b>x4</b> Parking Sensor Bracket Ranger PX   | <b>x4</b> Rubber Nut   | <b>x1</b> Rubber   |

**Step 2 - Preparation of the AFN Bullbar | Bumper**

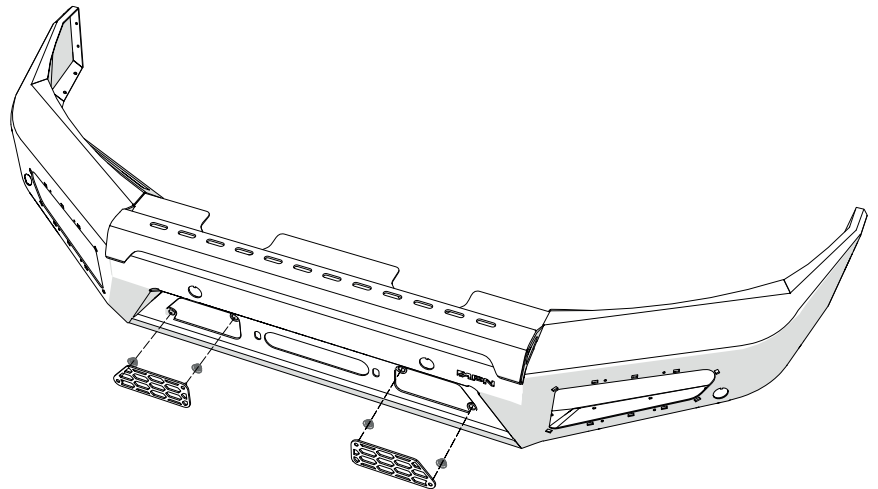
**Installation**

Before inserting the **AFN Bullbar | Bumper(1)** on the vehicle there are some details that we advise to do first (so, place it on a flat working surface).

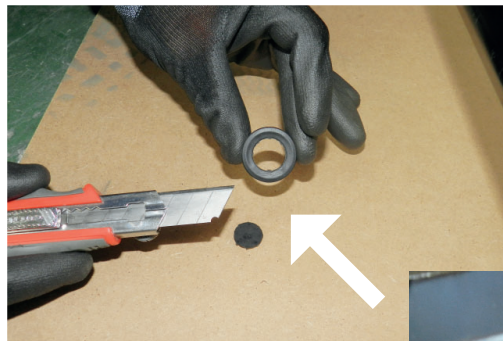
Start by fitting both Bumper Gills(5) and (6), in the **AFN Bullbar | Bumper(1)**.

Use 2x Rubber Nuts(23) for each Bumper Grill.

Finally, fit the supplied Rubber(40).



Take on **Parking Sensor Bracket**, and remove the inner circle using an utility knife.

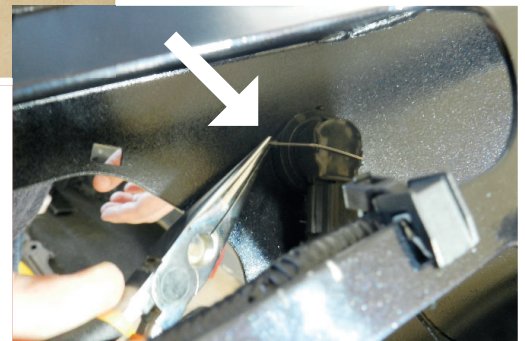
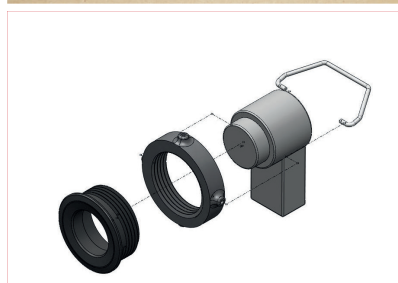


Only remove the inner circle if your vehicle has the **Parking Sensor System** installed.

Then, insert it in the **AFN Bullbar | Bumper(1)**.

Check the image on the right to see how it's done.

If you prefer, you may use a needle plier.



Check the image on the left to see how it must be look like.

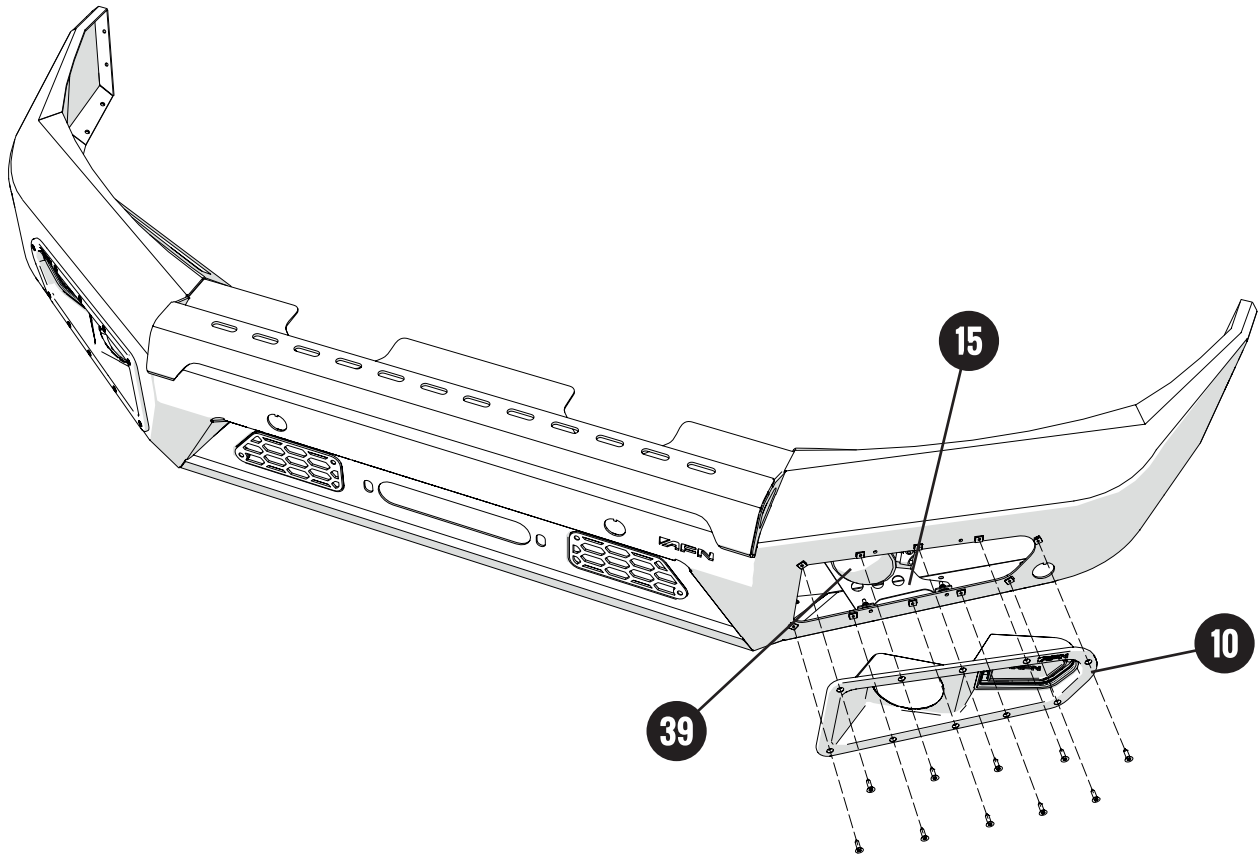
Be aware to put the cables inside the space where it belongs, you may need some zip ties.



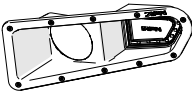
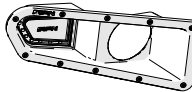
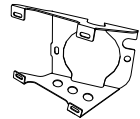
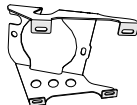

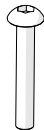
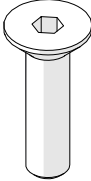
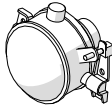
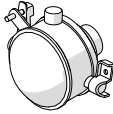
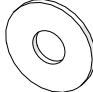
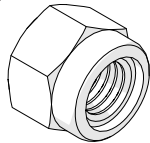
\*OEM - Original Equipment Manufacturer

**Step 3 - Preparation of the AFN Bullbar | Bumper - AFN LED LIGHTS**

Preview



**Parts needed:**

<b>10</b> 	<b>11</b> 	<b>14</b> 	<b>15</b> 	<b>24</b> 	<b>29</b> 
x1 Fog Lights Kit Right Side	x1 Fog Lights Kit Left Side	x1 Aluminium Bracket Left Side	x1 Aluminium Bracket Right Side	x8 Flange Nut M4	x4 Bolt M5x30
<b>33</b> 	<b>38</b> 	<b>39</b> 	<b>41</b> 	<b>42</b> 	
x8 Bolt M5x16	x1 Fog Light Right Side	x1 Fog Light Left Side	x8 Washer M5	x8 Nylock Nut M5	

**45002545**

NUMBER	REF	QUANTITY
A2	47002088	1x
B2	46007977	1x
C2	45001114	10x
D2	45001113	10x
E2	45000877	2x

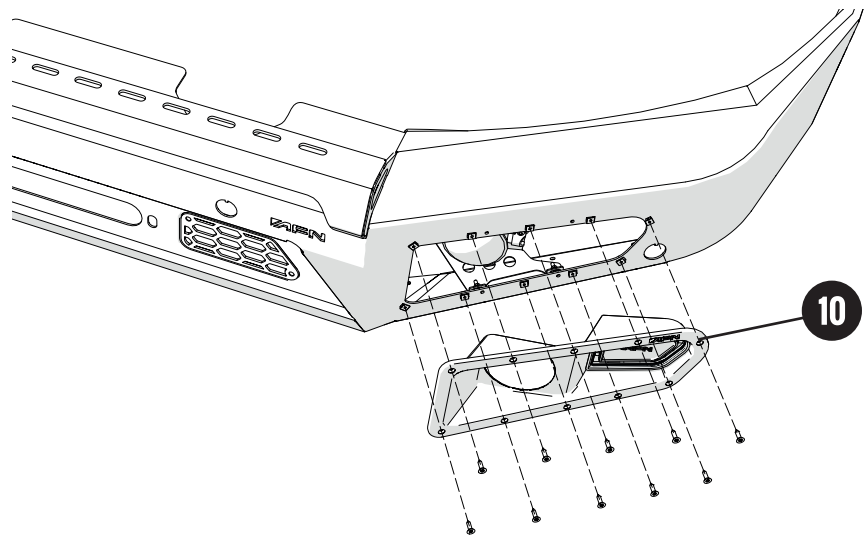
**Step 3 - Preparation of the AFN Bullbar | Bumper - AFN LED LIGHTS**

**Installation**

Fit the **AFN LED Lights on AFN Bullbar | Bumper(1)**. Bolts needed:

This image just shows how it should be assembled.

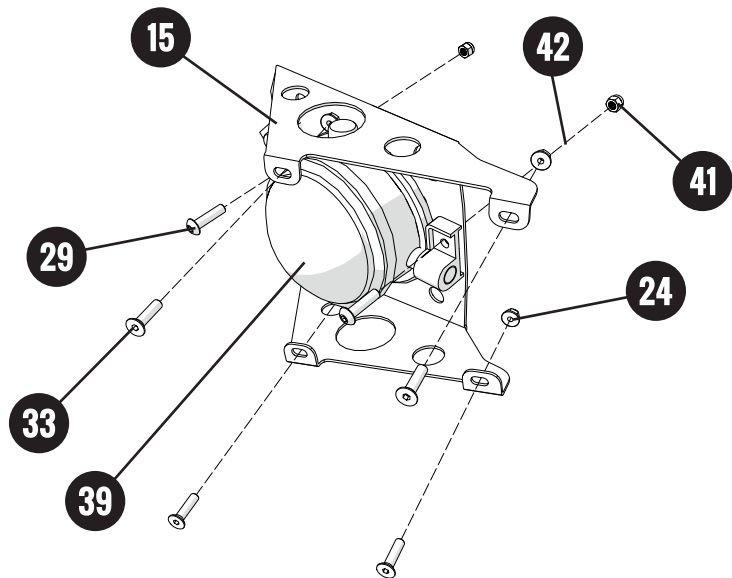
Check the following illustrations to see the detailed steps.



Fit Fog Light(39) in the Aluminium Bracket(15) using 2x Bolts M5x30(29) with 4x Washers M5(41) and 2x Nylock Nuts M5(42).

Then, fit the Aluminium Bracket(15) in the **AFN Bullbar | Bumper(1)**.

Use 4x Bolts M5x16(33) with 4x Flange Nuts M5(24).



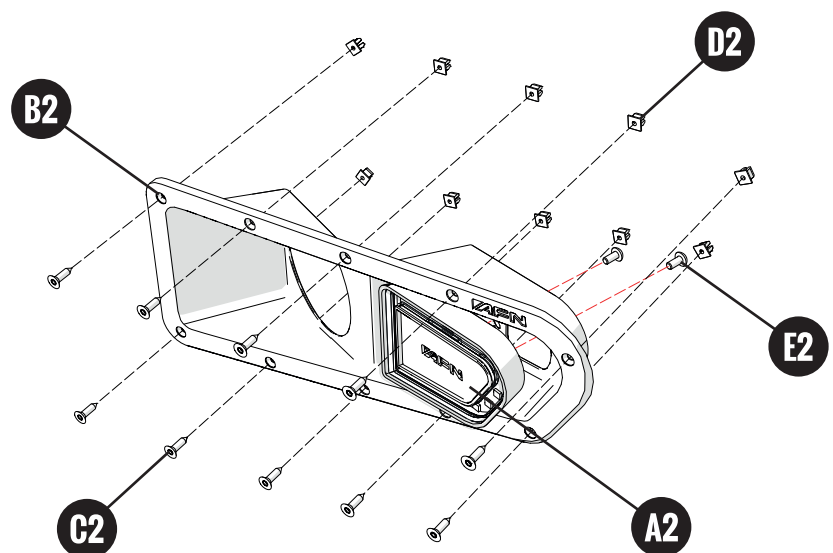
Then, take on Led Light(A2) and fit it in the Rubber mask(B2) using 2x Bolts M5x10(E2).

Once that is done fit the Rubber Mask assembled in the **AFN Bullbar | Bumper(1)**.

Use 10x Bolts M4x16(C2) with 10x Plastic Nuts M4(D2).

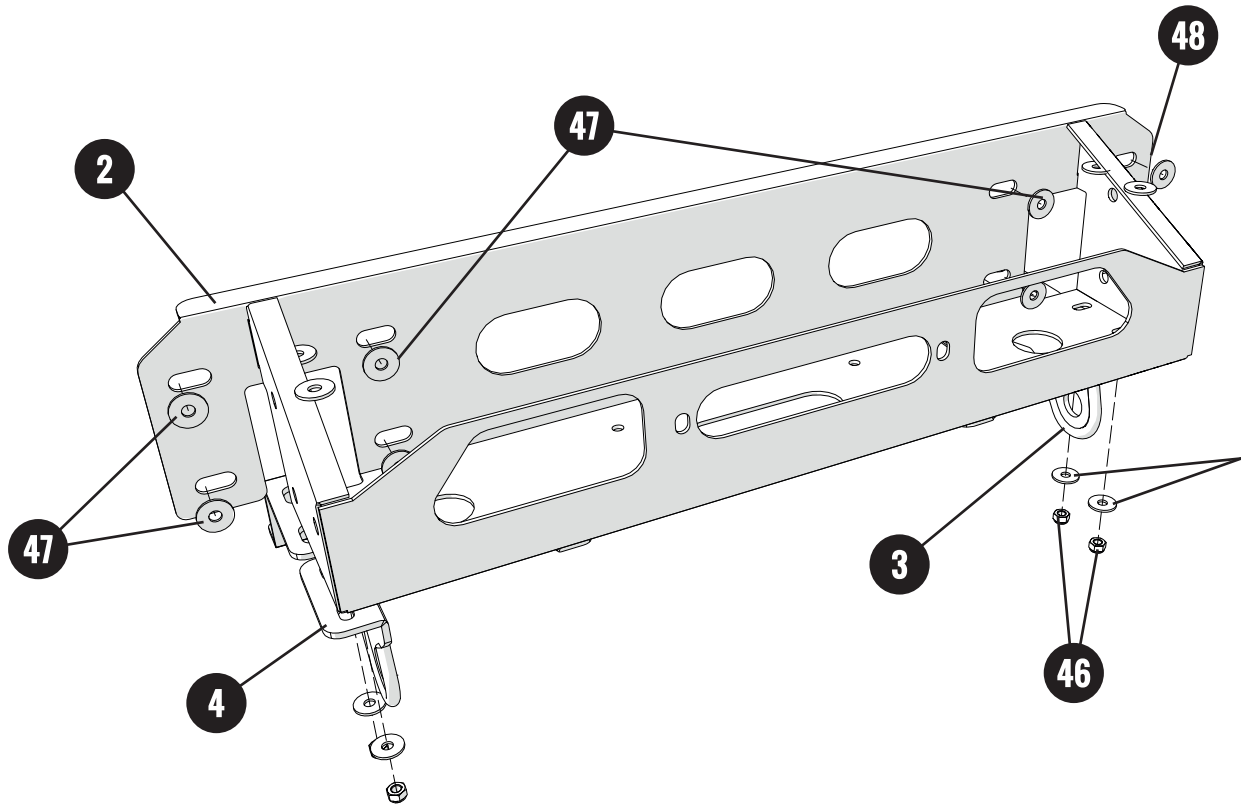
Please be in mind that there is no need to overtight these bolts, because the rubber masks will be crushed causing an unpleasant look.

Repeat this step on the other side.

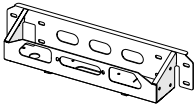
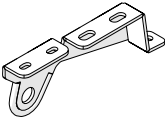
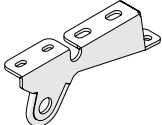
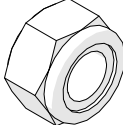
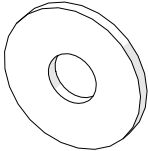
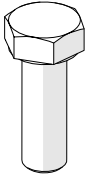


**Step 4 - Fitting the Winch Bracket to the Chassis**

Preview



**Parts needed:**

- |   |   |   |  |  |  |
|---|---|---|--|--|--|
| <p><b>2</b></p>  | <p><b>3</b></p>  | <p><b>4</b></p>  | <p><b>46</b></p>  | <p><b>47</b></p>  | <p><b>48</b></p>  |
| x1 Winch Bracket  | x1 Right Recovery Point   | x1 Left Recovery Point  | x4 Washer M10  | x16 Washer M10   | x4 Bolt M10x30   |

**Step 4 - Fitting the Winch Bracket to the Chassis**

**Installation**

Fit the **Winch Bracket(2)** onto the **Chassis**. Bolts needed:

Re-use the 8x *OEM\** Bolts with 8x Washers M10(47).

Repeat this step on the other side.

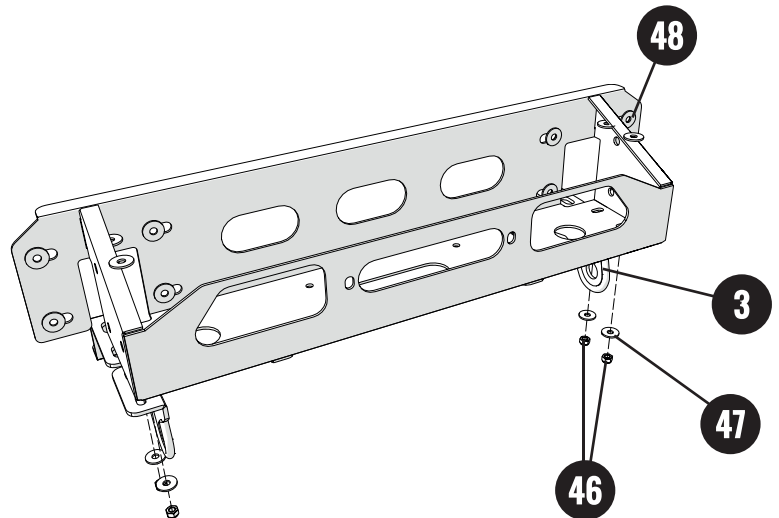
Just finger tight both bolts

**Do Not tighten yet.**



Once the **Winch Bracket(2)** is secured, take on both Right Recovery Point(4) Left Recovery Point(4) and fit it into the **Winch Bracket(2)**.

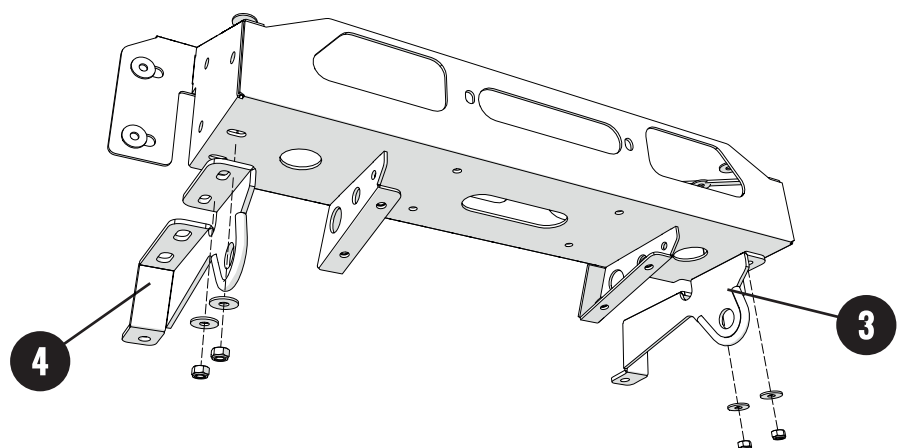
Use 2x Bolts M10x30(48) with 4x Washers M10(47) and 2x Nylock Nuts (45).



Please check the illustration to correctly fit the **Left** and **Right** Recovery Point as it should be.

Just finger tight both bolts

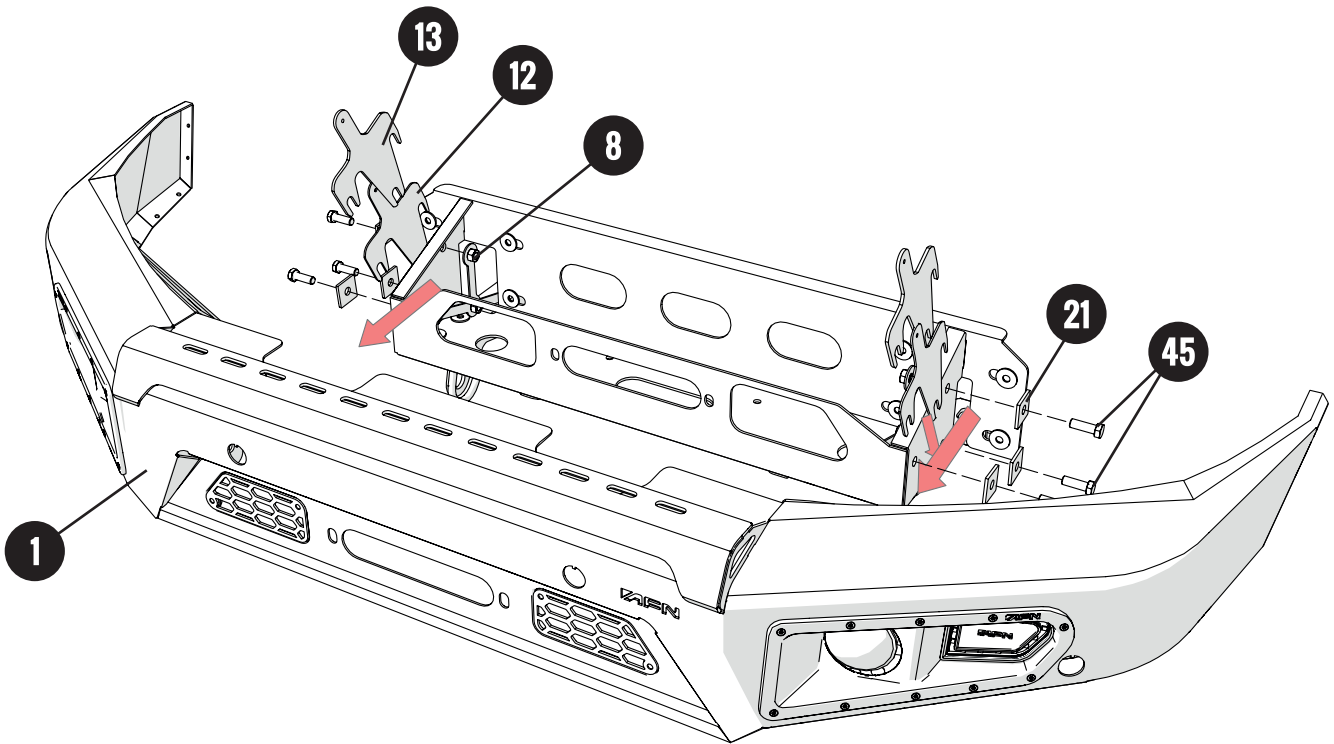
**Do Not tighten yet.**



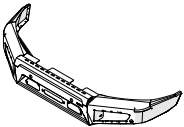
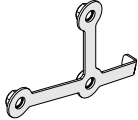
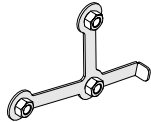
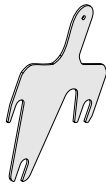
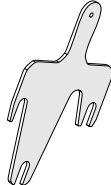
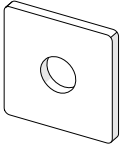
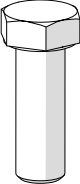
\*OEM - Original Equipment Manufacturer

**Step 5 - Fitting the AFN Bullbar | Bumper in the Winch Bracket**

Preview



**Parts needed:**

- |  |  |   |   |  |   |
|--|--|---|---|--|---|
| <p><b>1</b></p>  <p>x1 Front Bumper Ranger<br/>Us version</p> | <p><b>7</b></p>  <p>x1 Triple Nut Plate<br/>Left Side</p> | <p><b>8</b></p>  <p>x1 Triple Nut Plate<br/>Right Side</p> | <p><b>12</b></p>  <p>x12 Winch Bracket Shim<br/>Side - 2,5mm thickness</p> | <p><b>13</b></p>  <p>x2 Winch Bracket Shim<br/>Side - 4mm thickness</p> | <p><b>21</b></p>  <p>x6 Square Washer <b>M12</b><br/>40x40</p> |
| <p><b>45</b></p>  <p>x6 Bolt <b>M12x35</b></p>                |  |   |   |  |   |

**Step 5 - Fitting the AFN Bullbar | Bumper in the Winch Bracket**

**Installation**

With help of another person or a crane, lift the **AFN Bullbar | Bumper(1)** and place it over the **Winch Bracket(2)**, as showed in the image above.

Mind that this is a precision task, please take time to correctly assemble this step.

Use 3x Bolts M12x35(45), with 6x Square Washers M12(21), one on each side of the **Winch Bracket(2)** and with 1x Triple Nut Plate(7).

Repeat this step on the other side.  
Just finger tight both bolts

**Do Not tighten yet.**

**ATTENTION!**

Use the supplied Side Winch Bracket Shims 4mm thickness(13) and 2,5mm thickness(12) to adjust the best way the **AFN Bullbar | Bumper(1)** to the body and chassis.

*Use them only if you have to, they are optional and may not be needed (if needed, they can be used on both sides).*

Just finger tight both bolts

**Do Not tighten yet.**

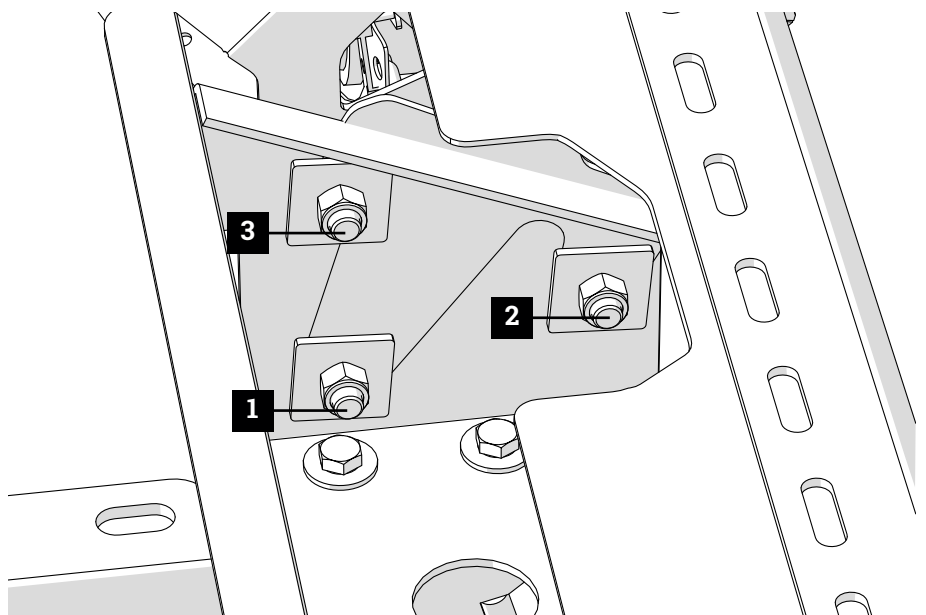
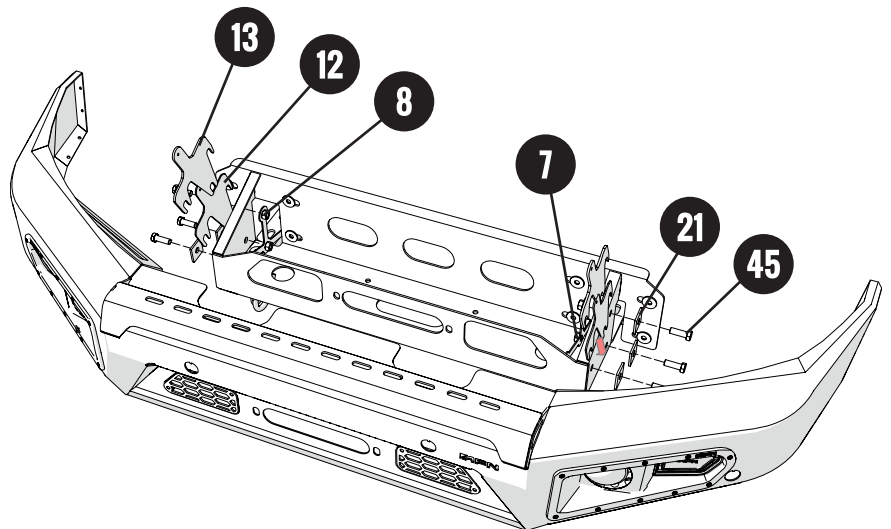
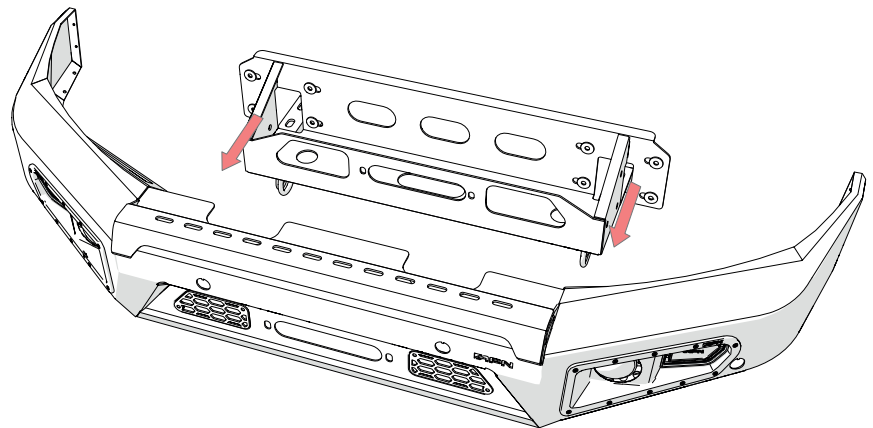
When the **AFN Bullbar | Bumper(1)** is in place, start by tightening all the **Winch Bracket(2)** bolts following the order according to the previous step.

Adjust the **AFN Bullbar | Bumper(1)** until you have almost **no gap** between vehicle body and the bumper on both sides.

Check to make sure the **AFN Bullbar | Bumper(1)** is levelled.

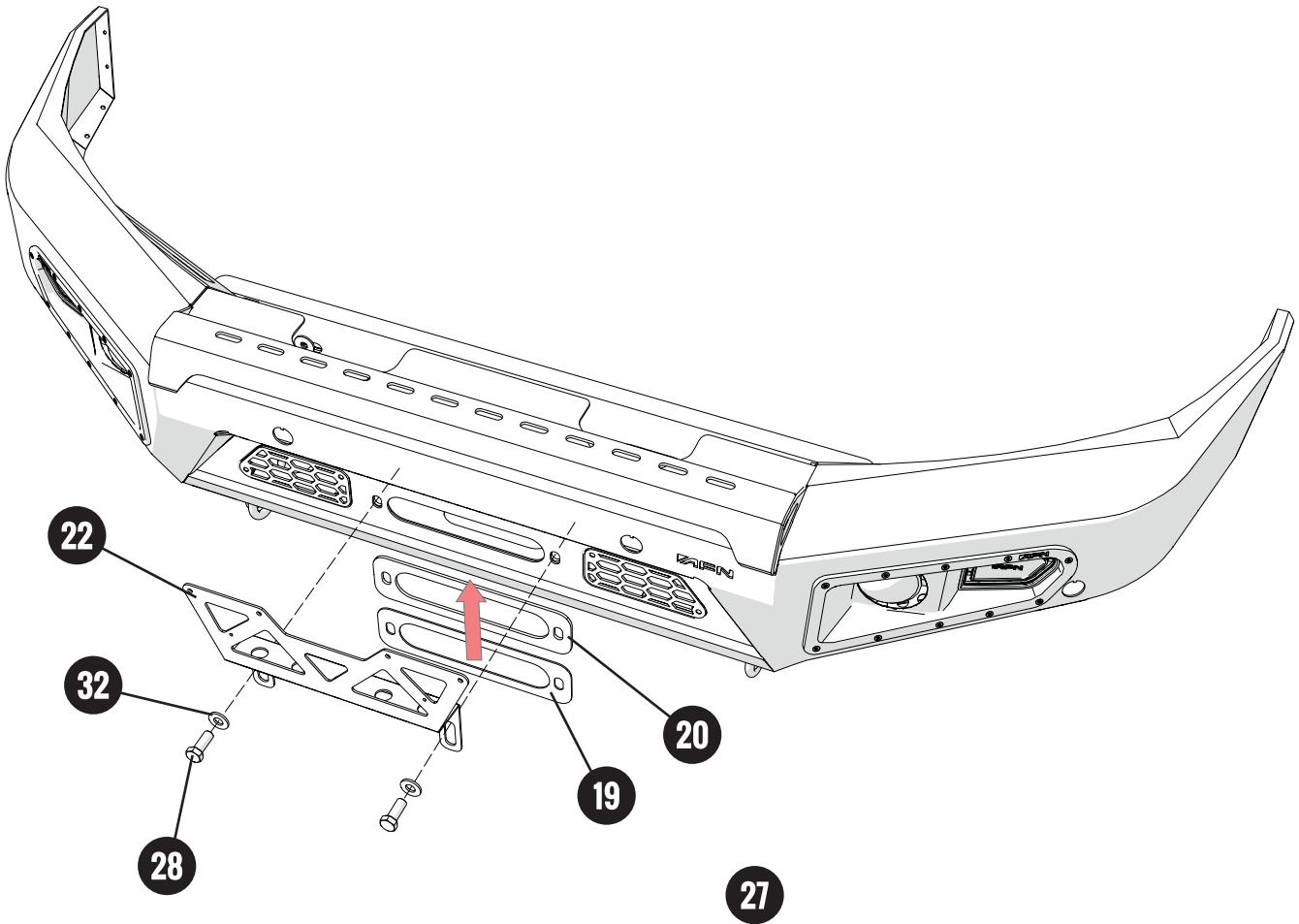
These bolts are the last ones to give the final torque, following this order.

**Give the final torque.**

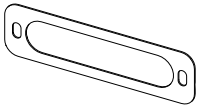
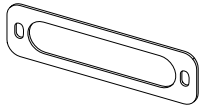
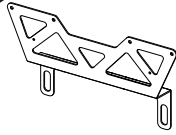
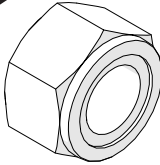
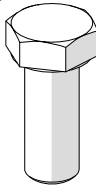
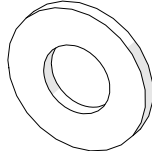


**Step 6 - Fitting the Plate Bracket and Winch (if used)**

Preview



**Parts needed:**

- |  |  |  |  |  |  |
|--|--|--|--|--|--|
|  <p><b>19</b></p> |  <p><b>20</b></p> |  <p><b>22</b></p> |  <p><b>27</b></p> |  <p><b>28</b></p> |  <p><b>32</b></p> |
| <p>x4 Winch Bracket Shim<br/>Front - 2mm thickness</p>   | <p>x2 Winch Bracket Shim<br/>Front - 4mm thickness</p>   | <p>x1 Plate Bracket</p>  | <p>x2 Nylock Nut <b>M12</b></p>  | <p>x1 Bolt <b>M12x35</b></p>   | <p>x4 Washer <b>M12</b></p>  |

**Step 6 - Fitting the Plate Bracket and Winch (if used)**

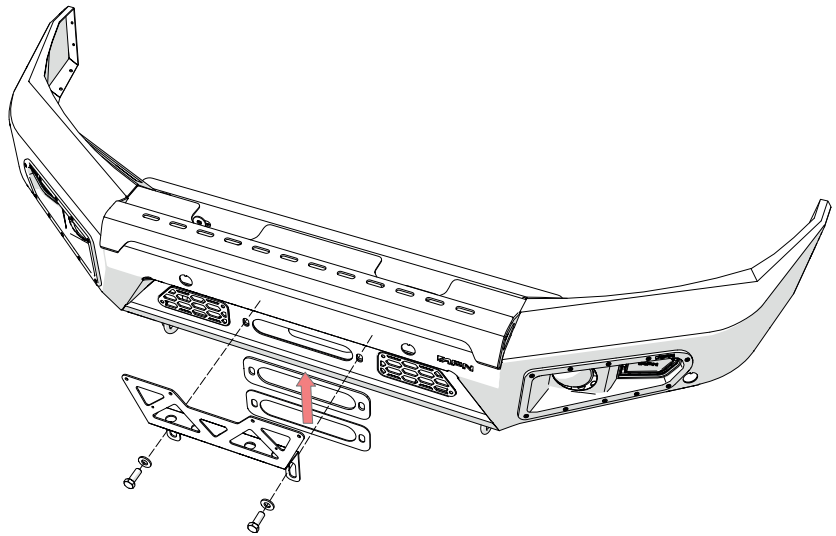
**Installation**

Fit **Plate Bracket(22)** on the **AFN Bullbar | Bumper(1)**.

We do recommend using the supplied shims if the **AFN Bullbar | Bumper(1)** is not aligned with the body. The shims must be fitted between the **AFN Bull Bar | Bumper(1)** and the **Winch Bracket**.

The Front Winch Bracket Shims 2mm thickness(19) and 4mm thickness(20).

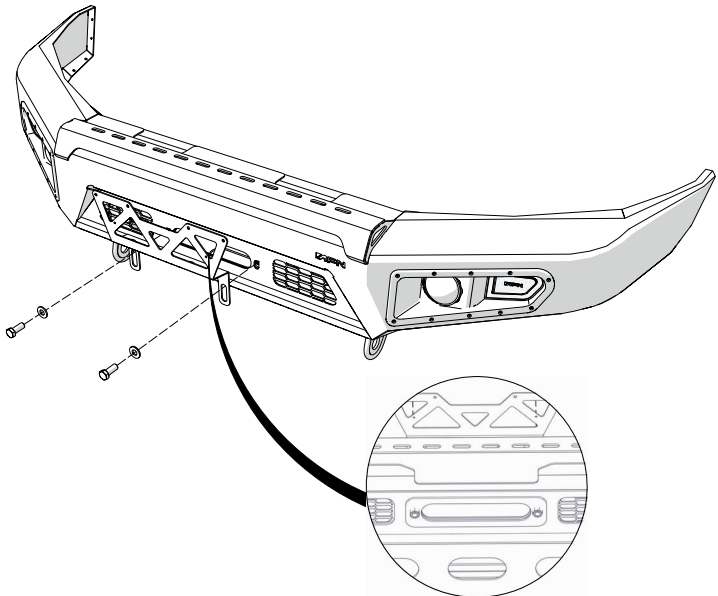
*Use it only if you have to, they are optional and may not be needed.*



Fit **Plate Bracket(22)** on the **AFN Bullbar | Bumper(1)**.

Use 2x Bolts M12x35(28), with 4x Washer M12(32), two on each side of the **AFN Bullbar | Bumper(1)** and with 2x Nylock Nuts M12(27).

**Give the final torque.**

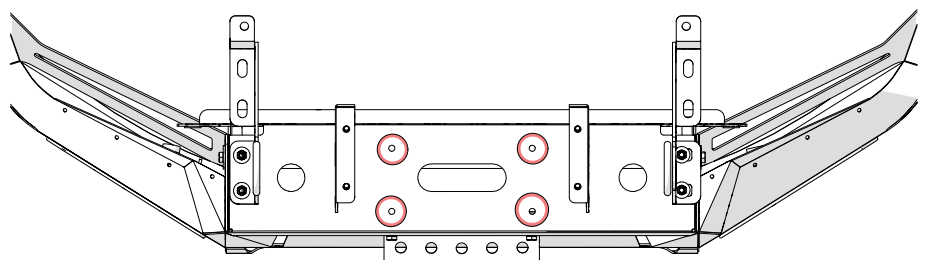


**ATTENTION!**

If you have a **WINCH** to be mounted, please check its instructional manual and fitted above the highlighted points.

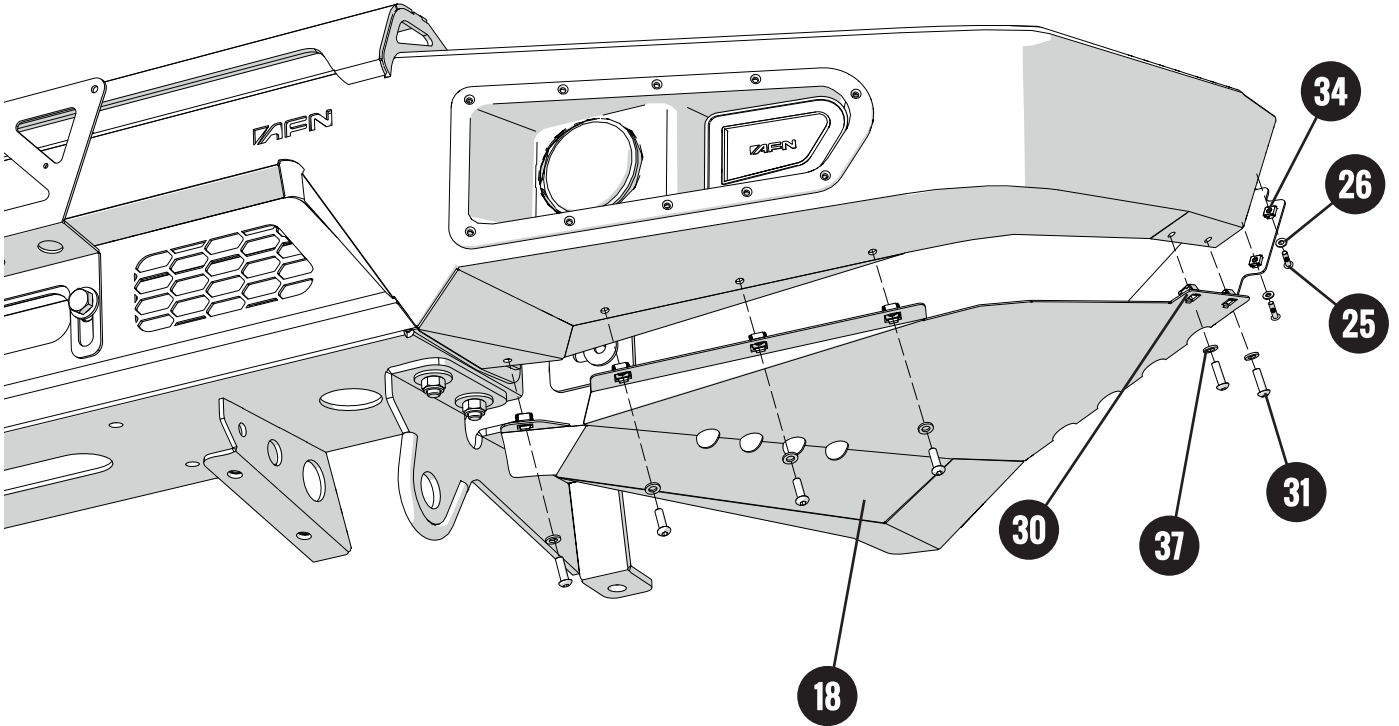
Please be in mind that the Roller Fairlead of the winch must be fitted above the **Plate Bracket(22)**.

**Give the final torque.**

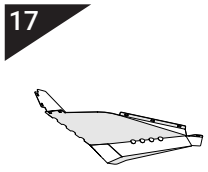


**Step 7 - Fitting the Flaps**

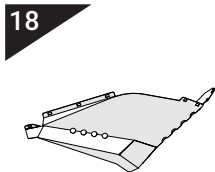
**Preview**



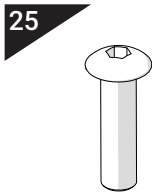
**Parts needed:**



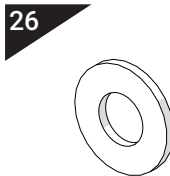
x1 Left Flap



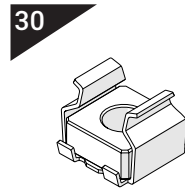
x1 Right Flap



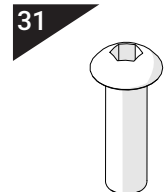
x4 Bolt M4x15



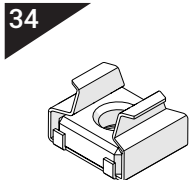
x4 Washer M4



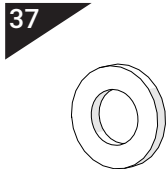
x12 Cage Nut M6



x1 Bolt M6x20



x4 Cage Nut M4



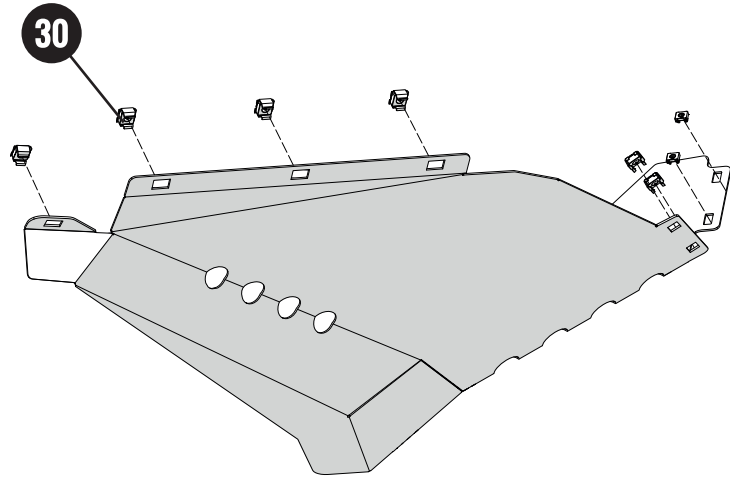
x12 Bolt M6x20

**Step 7 - Fitting the Flaps**

**Installation**

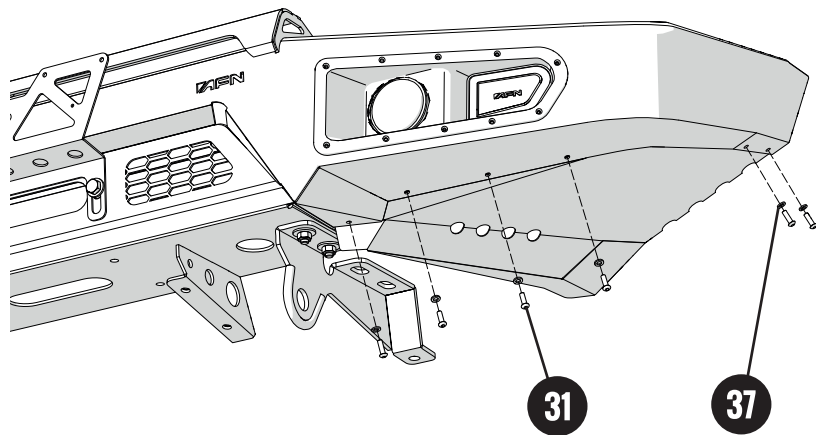
Fit **Right Flap(18)** on the **AFN Bullbar | Bumper(1)**.

But first, we advise to fit 6x Cage Nuts M6(**30**) on front and 2x Cage Nuts(**34**) at the back.



Once all the cage nuts are fitted on the **Right Flap(18)** use 6x Bolts M6x20(**31**) with 6x Washers M6(**37**), to fit the top of the **Right Flap(18)** on the **AFN Bullbar | Bumper(1)**.

**Give the final torque.**



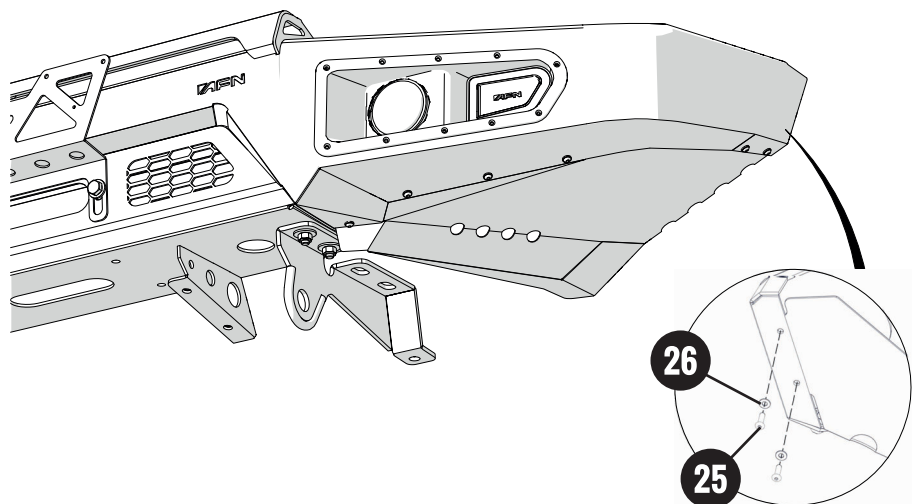
Push the **Right Flap(18)** to the **OEM\*** plastic fenders and mark the cut line, then cut **OEM\*** plastic fender.

Mark a hole on the inner side of wheel fender.

Drill a **2mm** diameter hole and fix the flaps through these holes using 2x Bolt M4x15(**25**) and 2x Washers M4 (**26**), as showed.

**Give the final torque.**

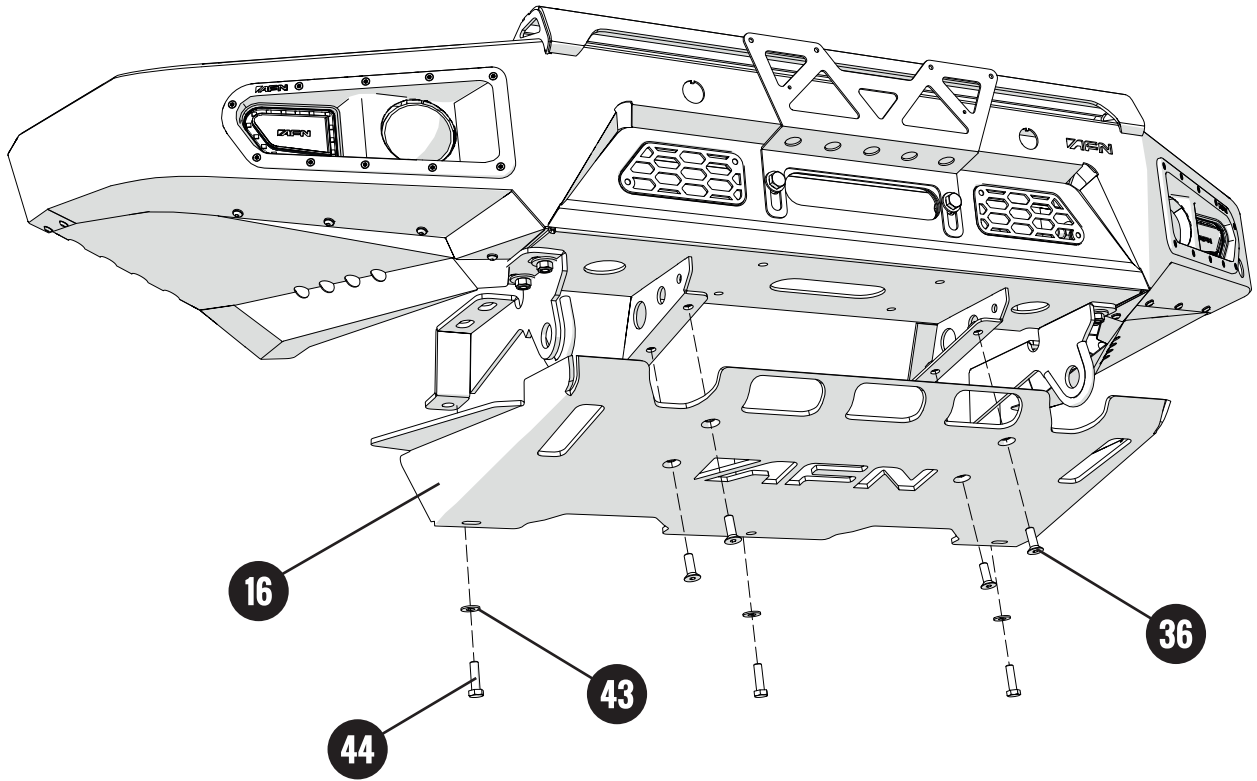
Repeat all these steps on the other side for the **Left Flap(17)**.



\*OEM - Original Equipment Manufacturer

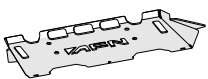
**Step 8 - Fitting the Front Underbody's Armor**

Preview



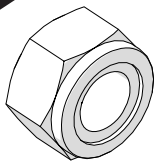
**Parts needed:**

16



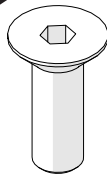
x1 Front Skid Plate Protection

35



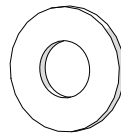
x3 Nylock Nut M10

36



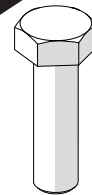
x4 Bolt M10x30

43



x6 Washer M10

44



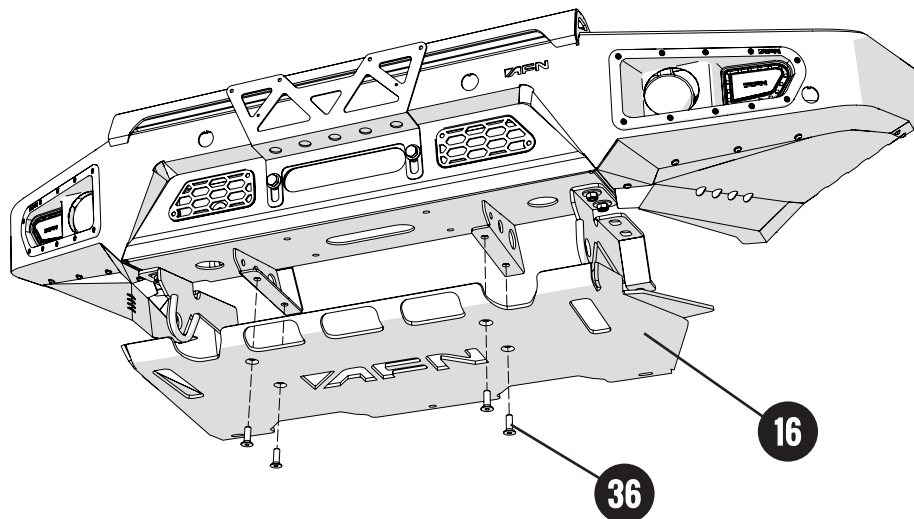
x3 Bolt M10x35

**Step 8 - Fitting the Front Underbody's Armor****Installation**

Fit **Front Skid Plate(16)** on the **Winch Bracket(2)**.

Use 4x Bolts M10x30(**36**), two on each side, as showed in the image.

Just finger tight both bolts  
**Do Not tighten yet.**

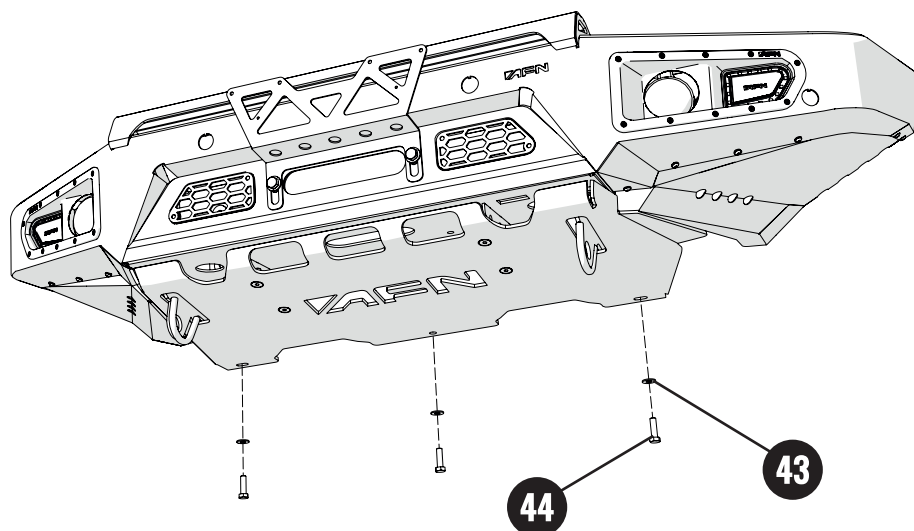


Finally fit the back of **Front Underbody Protection(16)**.

Use 3x Bolts M10x35(**44**) with 6x Washers M10(**43**), three on each side, and 3x Nylock Nuts M10(**35**).

Check if protection is correctly fitted, according your preferences and

**Give the final torque.**



**Step 9 - Final Result**

**Preview**



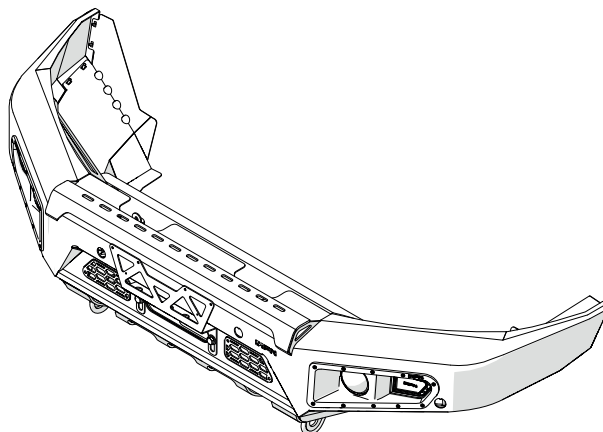
Your new **AFN BULLBAR | FRONT BUMPER** is now installed on your **Ford RANGER PX!**  
Have Fun!

**Reminder !**

- Before operating a vehicle fitted with an AFN Bullbar | Front Bumper:
- Make sure all fittings are tightened
  - Check winch operation (if installed)
  - Check all electrical wiring attached to lights and parking sensors (if installed)

**Maintenance | Care**

Periodically check and tighten all nuts. Stripped, fractured or bent bolts or nuts need to be replaced.



## 3 RANGER PX CATALOGUE

**AFN 4x4 Accessories** is becoming a well known brand for its products due to its quality, design and safety which are challenged for thousands of people everyday, worldwide.

In its diversity of products we can include, with all-terrain quality, protection, safety and aesthetic accessories. With that being said, **AFN 4x4** has some other accessories that every offroad passionate would like to have, such as **Body Protections, Underbody Protections, Light Holders, Storage** (Wheel Supports and Jerry-can carriers) and others related to the **Aesthetics**.

We have some 4x4 accessories that combine with the original model lines that if you take a closer look you will see that they don't appear to be an accessory, but a must-have.

Please be in mind that some accessories are available only to some models.  
 Feel free to check all the products that may interest you in our website at: [www.afn.pt](http://www.afn.pt)



Ref.: 48002523 - Front Bumper



Ref.: 48002539 - Rear Bar w/ wheel carrier-jerrycan



Ref.: 48002522 - Side Steps



Ref.: 48002521 - Rear Step w/ trailer hitch

## 4 WARRANTY TERMS

**AFN4x4** products are warranted free from defects in materials and workmanship for a period of two (2) years from the date of initial retail purchase. Third-party components are delivered under the original manufacturer warranty.

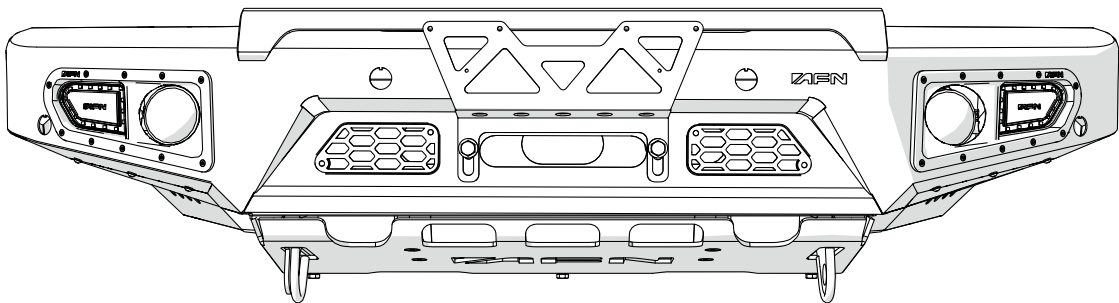
Under the present warranty, **AFN4x4** obligation shall be limited to repairing, replacing or crediting, at its option, any part found to be defective.

**AFN4x4** does not warrant or make any representations concerning its goods when:

- a) The products are purchased used, scratch and dent or when the box was opened.
- b) The products are not installed, used, and maintained strictly in accordance with **AFN4x4**'s instructions.
- c) The products are installed in vehicles that are used in competition.
- d) The products are installed in vehicles fitted with aftermarket non-standard tires with diameters in excess of OEM\* specifications.
- e) The products are installed in vehicles with engines that have been modified to increase performance.

**AFN4x4** will not be responsible for goods damaged in transit. If any goods arrive damaged, please contact the **AFN4x4** as soon as possible. **AFN4x4** will assess and may arrange to have the damaged goods returned to a **AFN4x4** Distributor and arrange for a replacement of the goods. Damaged goods must be returned in the condition received by you with all original packaging, accessories and/or manuals. If they are not returned in same condition sent there may be an additional fee charged.

To file a claim under this warranty please contact **AFN4x4** at +351 256 808 300 or via email at [geral@afn.pt](mailto:geral@afn.pt) to request a *Returned Goods Authorization (RGA)* number and instructions for returning the defective component.





**5 AFN 4x4 PARTNERS**



**01**

**Portugal**

Rua da Madeira, 113  
Z. Industrial das Travessas  
3700-176 S. João da Madeira

T:(00351) 256 838 300/7  
geral@afn.com  
www.afn.com

**02**

**Espanha**

Carretera de Moledo 8  
pol. ind. de Miraflores, Nave 20  
36214, Vigo (Pontevedra)

T:(0034) 986 378338  
info@4x4misutonida.com  
www.4x4misutonida.com

**03**

**Austrália**

19 Flinders Parade  
North lakes  
QLD 4509

T:(0061) 1300 236 494  
sales@afn4x4.com.au  
www.afn4x4.com.au

**04**

**Costa Rica**

Fort overlanding CR,  
Alajuela

T:(0011) 506 8430 0211  
info@fortoverlanding.com  
www.fortoverlanding.com

DON'T JUST SETTLE FOR THE SAME OLD BULL

**AFN**<sup>®</sup>  
4 X 4 ACCESSORIES

WWW.AFN.PT | SALES@AFN.PT | FACEBOOK.COM/AFN4X4

# WELCOME TO THE AFN FAMILY



União Europeia

Fundo Europeu de  
Desenvolvimento Regional

**AFN**<sup>®</sup>  
4 X 4 ACCESSORIES