

# CRAFTED LIKE NO OTHER

DON'T JUST SETTLE  
FOR THE SAME  
OLD BULL

OWNER MANUAL  
TOYOTA  
TACOMA 2019+



## WELCOME TO THE AFN FAMILY

This manual contains the **Toyota TACOMA +2019** fitting instructions for:  
**Front Bumper w/ Fog Lights Ref.: 48002600**

# 1 INTRODUCTION



## The Company

Founded in 1995, AFN - 4x4 Accessories dedicates itself to the production and commerce of all-terrain accessories. Its constant concern in its customers total satisfaction, and in the ideals of innovation and transformation have granted a position of notability both in the national and international panorama.

The only company in Portugal in the mass production of 4x4 accessories, relies on specialized and experienced technicians, with the most adequate knowledge, to an efficient response capability to its customers demands.

Thanks to the specialization in the several areas of design and manufacture and to a constant investment in technology, AFN has been broadening its wide range of products, without ever neglecting the quality factor.

## 4x4 Accessories

In its diversity of products we can include, with all-terrain quality, protection, safety and aesthetic accessories.

And it is here that AFN invest on the best technology, the best cut precision of the raw material, and the transformation of products with the quality recognized in the marketplace.

AFN has, at its disposal, resources to test and analyse the resistance of its products and stands in the front row regarding the European homologation of materials dedicated to all terrain.

The contact with the most important test laboratories for vehicles, both in England, Spain and Germany, provides AFN with the know-how to manufacture a wide range of quality products.

## Our Design Approach

AFN designs each accessory taking into consideration the original model lines and fitting points. We refuse to have a "one design fits all" solution and we are always looking forward to embrace new challenges on how to adjust a new product into a new model!

The days of just throwing on a bit of steel together to form a protection system are gone. AFN is leading the way modern vehicle protection components are manufactured. Other will follow, and it won't be long where the AFN approach to Styling, Fit, Form and Function will become the benchmark for all other manufacturers.

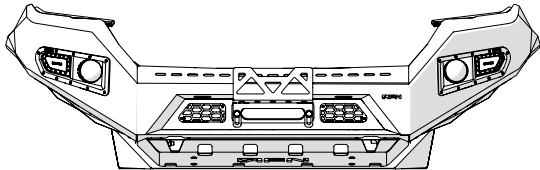




**INDEX**

**AFN 4x4 Accessories**

Product: **Front Bumper**  
Part Ref.: **48002600**



- Introduction 2
- 1 Checklist 4  
Product 48002600
- 2 Fitting Instructions 6
- 3 TACOMA Catalogue 25
- 4 Warranty Terms 26
- 5 AFN 4x4 Partners 28

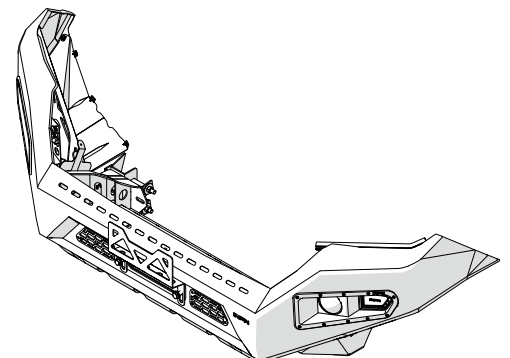


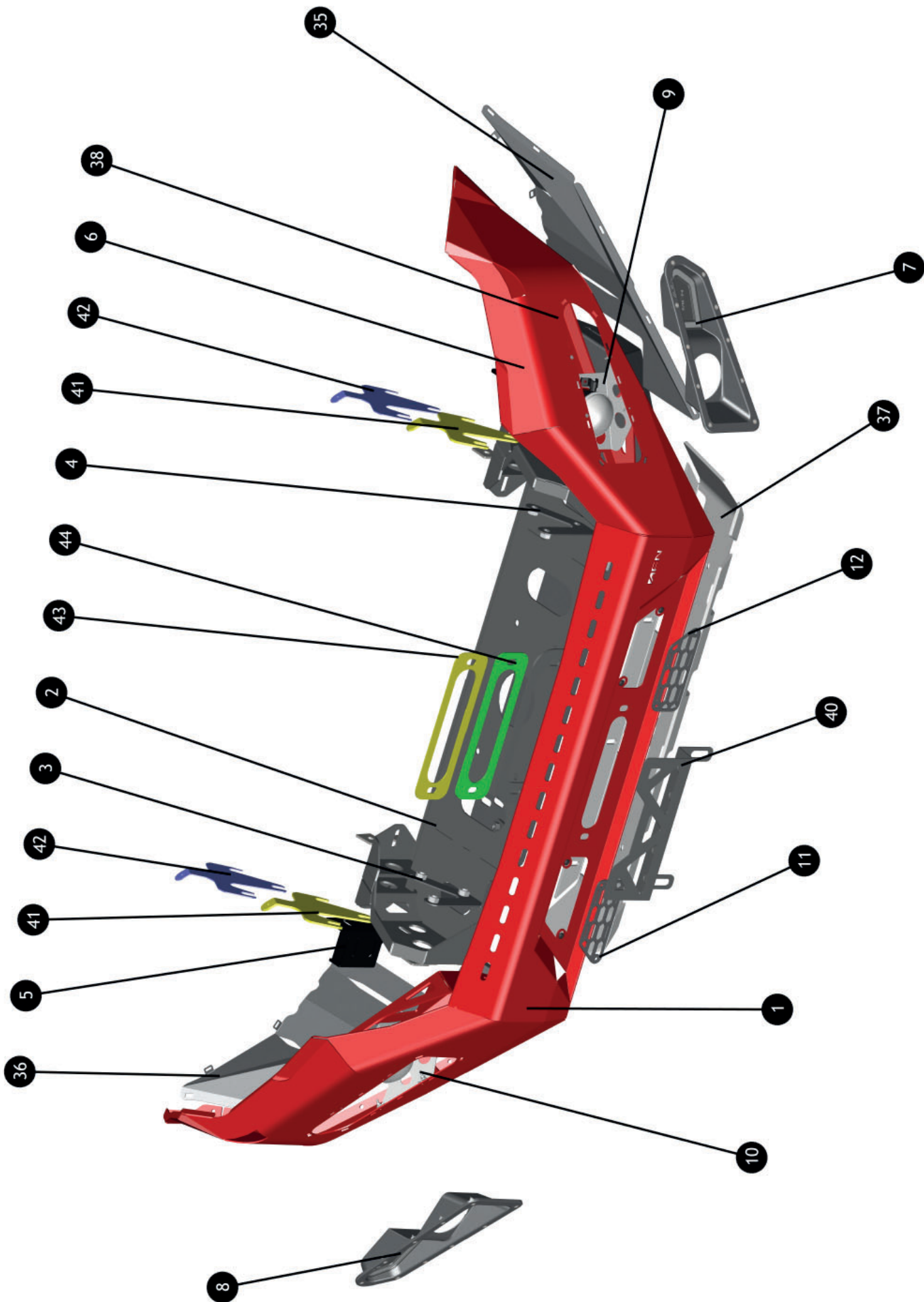
# 1 CHECKLIST

- In this section you have a checklist with all parts included for the installation of your AFN product
- This product should be installed as demonstrated in the product fitting instructions
- If verified that any component is damaged, please contact your nearest AFN distributor
- The specified parts will only fit in the models specified by AFN
- Do not modify any component of the product

This checklist is for product **48002600**.

NUMBER	DESCRIPTION	REFERENCE	QTY	NUMBER	DESCRIPTION	REFERENCE	QTY
1	Front Bumper - Toyota Tacoma 2018	47002100	1x	23	Nylock Nut M8	45000937	4x
2	Winch Bracket - Toyota Tacoma 2018	47002101	1x	24	Washer M12	45000995	4x
3	Triple Nut Plate M12 - (Right Side)	47002128	1x	25	Bolt M6x20	45000998	10x
4	Triple Nut Plate M12 - (Left Side)	47002129	1x	26	Cage Nut M6	45001012	10x
5	Right Winch Reinforcement	47002130	1x	27	Bolt M12x30	45001027	2x
6	Left Winch Reinforcement	47002131	1x	28	Bolt M12x40	45001029	6x
7	Fog Lights - (Right Side)	48002544	1x	29	Nylock Nut M12	45001033	2x
8	Fog Lights - (Left Side)	48002545	1x	30	Plastic Nut M3,5	45001113	6x
9	Aluminium Bracket for Fog Light (Left Side)	48002607	1x	31	Bolt M3,5	45001123	6x
10	Aluminium Bracket for Fog Light (Right Side)	48002608	1x	32	Washer M10	45001251	4x
11	Bumper Grill (Right Side)	47002082	1x	33	Rubber Nut	45001269	4x
12	Bumper Grill (Left Side)	47002083	1x	34	Square Washer 40x40 M12	46007001	10x
13	Nylock Nut M10	45000017	2x	35	Left Flap	46008088	1x
14	Washer M12	45000036	8x	36	Right Flap	46008089	1x
15	Nylock Nut M12	45000066	4x	37	Front Skid Plate (Upper)	46008090	1x
16	Bolt M12x100	45000199	4x	38	Lower Skid Plate	46008091	1x
17	Bolt M10x100x30	45000241	2x	39	Round Shim	46008092	2x
18	Rubber (Side - 775 mm / Front - 1030 mm)	45000502	3x	40	Plate Bracket	46008095	1x
19	Bolt M8x25	45000557	4x	41	Side Winch Bracket Shim 4mm thickness	46008191	2x
20	Washer M8	45000558	8x	42	Side Winch Bracket Shim 2mm thickness	46008192	2x
21	Washer M6	45000931	10x	43	Front Winch Bracket Shim 2,5mm thickness	46008193	1x
22	Bolt M10x30	45000934	4x	44	Front Winch Bracket Shim 4mm thickness	46008194	1x





## 2 FITTING INSTRUCTIONS



### WARNING:

Before you begin installation, read all instructions thoroughly.  
Proper tools will improve the quality of installation and reduce the time required.

- This product should be installed as demonstrated in the *Product «Fitting Instructions»*;
- The specified parts, will only fit the models specified by **AFN**;
- Do not modify any component of the product;
- It is recommended that this product is installed by specialized and trained personnel;
- AFN doesn't take responsibility for changes made in the vehicle by its manufacturer;
- Work safely and use specialized tools at all times;
- **Always use protective gear.**

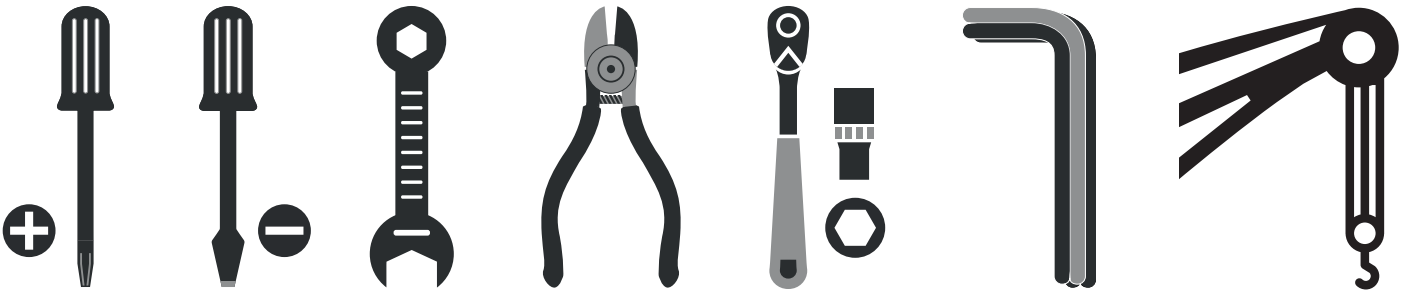


Size	Torque Nm	Torque lbft
M6	9 Nm	7 lbft
M8	22 Nm	16 lbft
M10	44 Nm	32 lbft
M12	77 Nm	57 lbft

### Mouting Time

- 5 hours
- 2 persons (recommended)

### Tools Required



- Screwdriver star head
- Screwdriver flat head
- Wrench
- Wire cutter
- Ratchet wrench
- Allen wrench
- Crane

### Step 1

Start by removing the 4x *OEM\** plastic bolts of the *OEM\** Grill.

On bottom, there are some fasteners, so gently push the Grill.

*(Be aware that you must save the OEM\* bolts and nuts.)*

The *\*OEM* Grill will be fitted again later on.



### Step 2

Once that is done, go underneath the vehicle and remove the *OEM\** Skid Plate.

There are 6x *OEM\** bolts to be removed.



### Step 3

Then, go to the **Wheel arch fender**, and loosen all the *OEM\** Bolts of it.

There are 6x Bolts on each side.

*(Be aware that you must save the OEM\* bolts.)*



### Step 4

Finally, go to the front of the vehicle and loosen all the *OEM\** Bolts of the Bumper.

There are 2x *OEM\** Bolts on each side.

Repeat this step on the other side.

Check the electrical wirings and disconnect them before pulling out the bumper.



*\*OEM - Original Equipment Manufacturer*

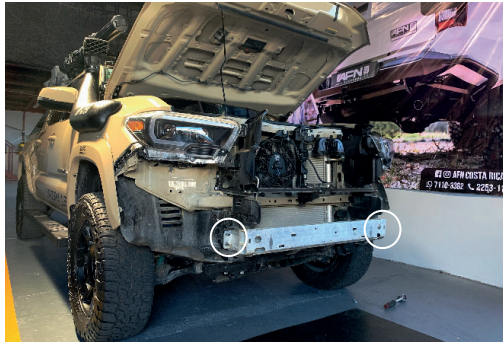
### Step 5

Then, remove the *OEM\** grey reinforcement.

Loosen 6x *OEM\** Nuts.

(Be aware that you must save the *OEM\** and nuts.)

If you done it correctly this is what it should look like.

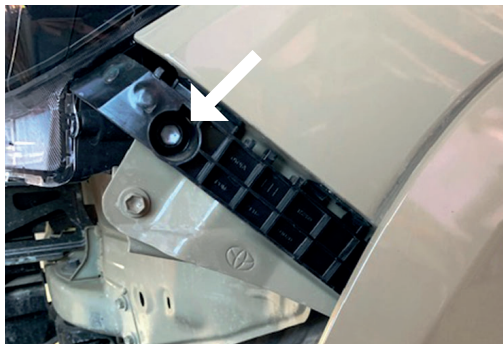


### Step 6

Once that is done, remove the plastic part, that connects the **OEM\* Bumper** to the **Vehicle**, showed in the image.

1x *OEM\** Bolt.

Repeat this step on the other side.

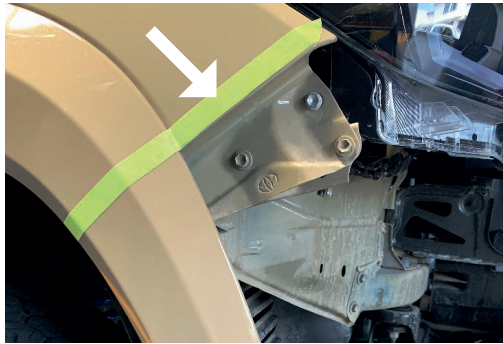


### Step 7

Finally, It's time to cut the excess of plastic fender, so apply duct paper, as a guideline to do the trimming.

Be in mind that this a precision task, so please take time to correctly apply the tape and trim the plastic fender.

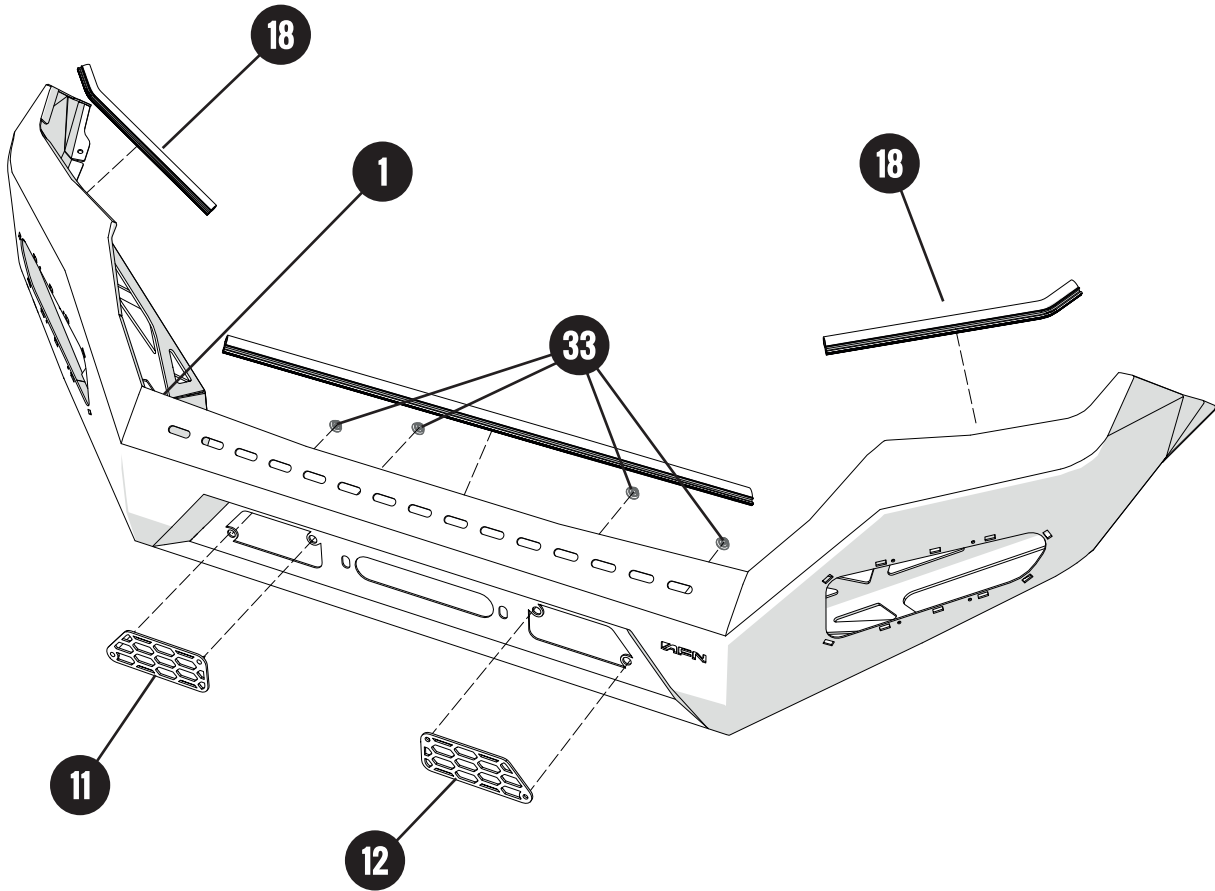
Repeat this step on the other side.



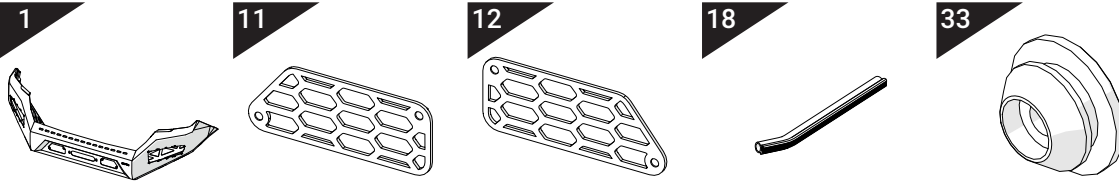


**Step 8 - Preparation of the AFN Bullbar | Front Bumper**

Preview



**Parts needed:**



- x1** Front Bumper TACOMA 2018
- x1** Winch Reinforcement Right Side
- x1** Winch Reinforcement Left Side
- x3** Rubbers  
Side - 775mm / Front - 1030mm
- x4** Rubber Nut

**Step 8 - Preparation of the AFN Bullbar | Front Bumper**

**Installation**

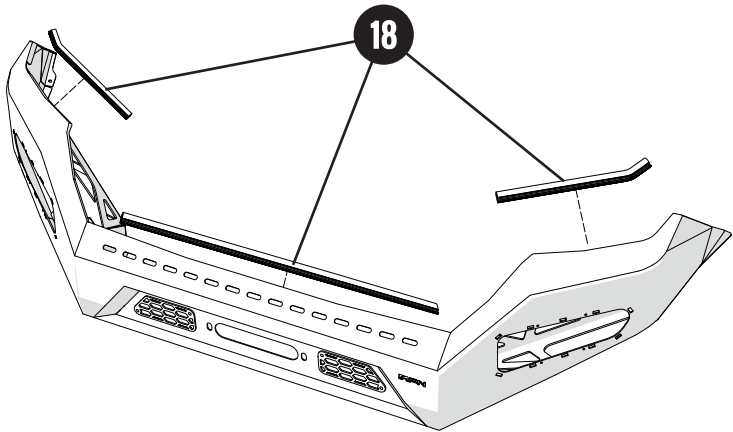
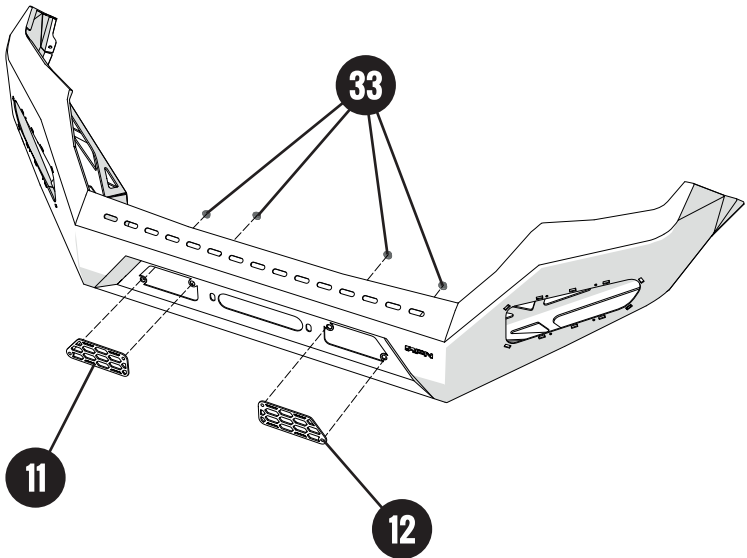
Before inserting the **AFN Bullbar | Front Bumper(1)** on the vehicle there are some details that we advise to do first (so, place it on a flat working surface).

Take on both **Bumper Grills(11)** and **(12)** fit them into the **AFN Bullbar | Front Bumper(1)**.

Use 4x Rubber Nuts(**33**).

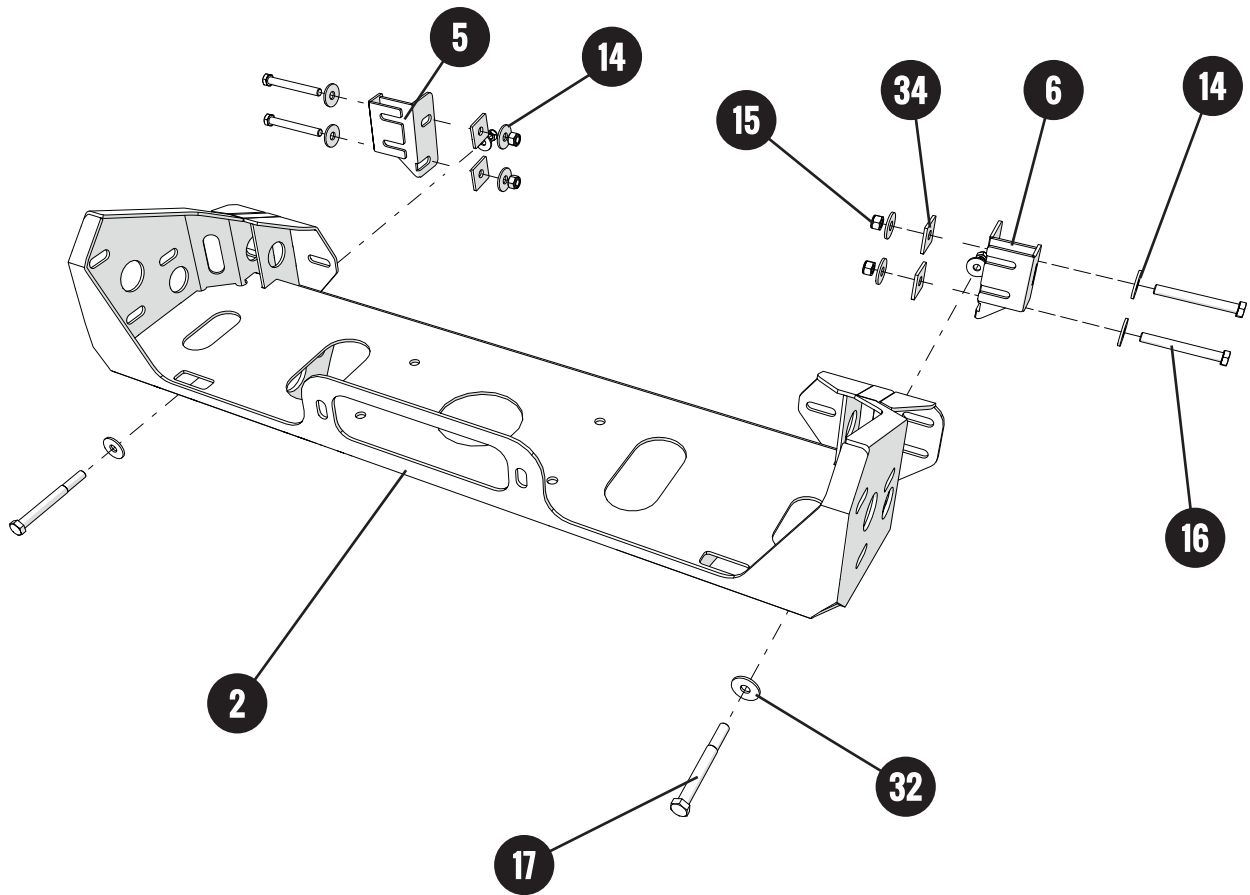
Just finger tight all bolts  
**Do Not tighten yet.**

Then, take on **Rubbers(18)** and fit them in the **AFN Bullbar | Front Bumper(1)**, as showed in the image.

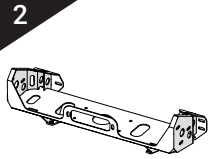
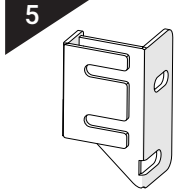
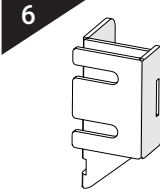
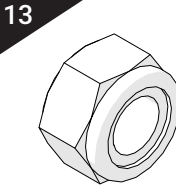
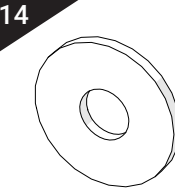
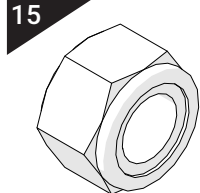
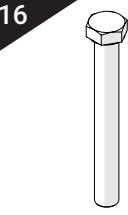
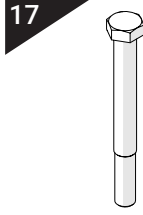
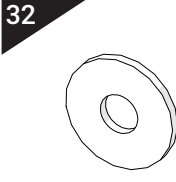
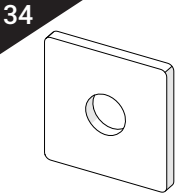


**Step 9 - Fitting the AFN Winch Bracket and Winch on Chassis**

**Preview**



**Parts needed:**

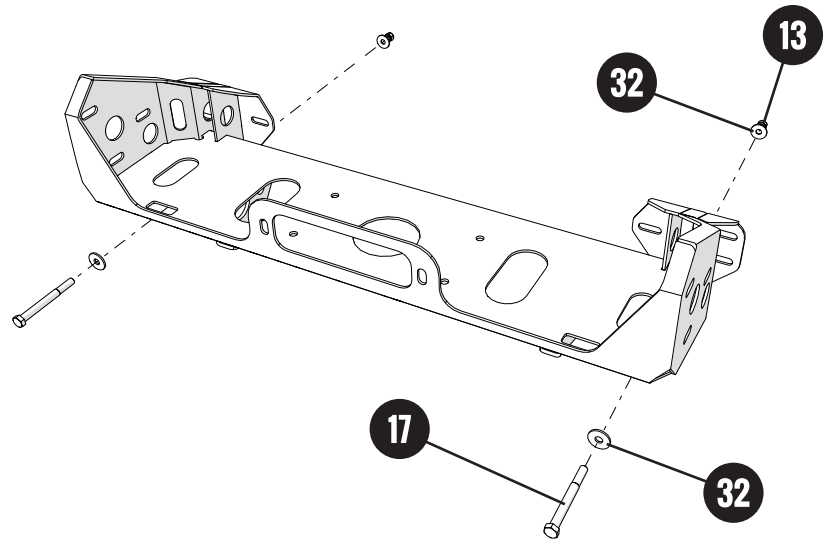
- |  |  |  |  |  |  |
|--|--|--|--|--|--|
|  <p><b>2</b></p>  |  <p><b>5</b></p>  |  <p><b>6</b></p>  |  <p><b>13</b></p> |  <p><b>14</b></p> |  <p><b>15</b></p> |
| <b>x1</b> Winch Bracket TACOMA 2018  | <b>x1</b> Winch Reinforcement Right Side   | <b>x1</b> Winch Reinforcement Left Side  | <b>x2</b> Nylock Nut M10   | <b>x8</b> Washer M12   | <b>x4</b> Nylock Nut M12   |
|  <p><b>16</b></p> |  <p><b>17</b></p> |  <p><b>32</b></p> |  <p><b>34</b></p> |  |  |
| <b>x4</b> Bolt M12x100   | <b>x2</b> Bolt M10x100x30  | <b>x4</b> Washer M10   | <b>x4</b> Square Washer M12 40x40  |  |  |

**Step 9 - Fitting the AFN Winch Bracket and Winch on Chassis**

**Installation**

Take on **Winch Bracket(2)** and fit the bottom of it in the vehicle.

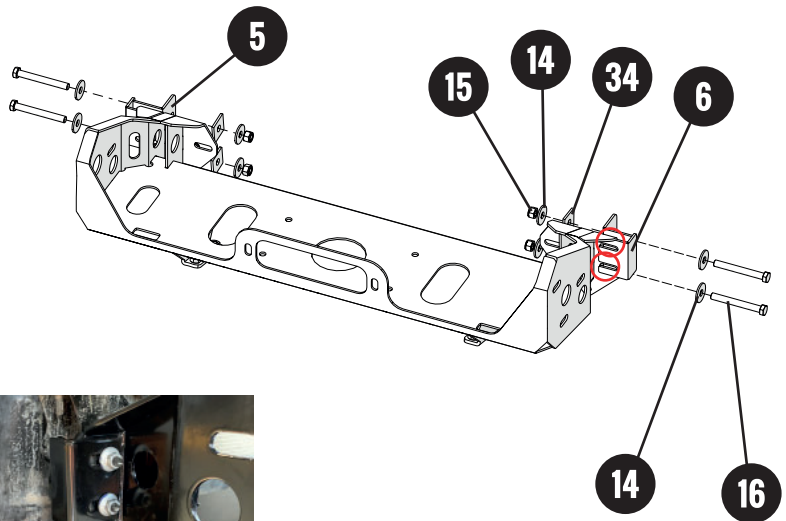
Use 2x Bolts M10x100x30(**17**), 4x Washers M10(**32**) and 2x Nylock Nuts M10(**13**).



Just finger tight all bolts  
**Do Not tighten yet.**

Once the **Winch Bracket(2)** is secured, take on both **Winch Bracket Reinforcements(5)** and (**6**) and fit them connecting the **Winch Bracket(2)** to the **Chassis**.

Use 4x Bolts M12x100(**16**), with 8x Washers M12(**14**), 4x Square Washers 40x40 M12(**34**) and 4x Nylock Nuts M12(**15**).



Then, on both sides, reuse the *OEM\** Nuts, previously unscrewed.



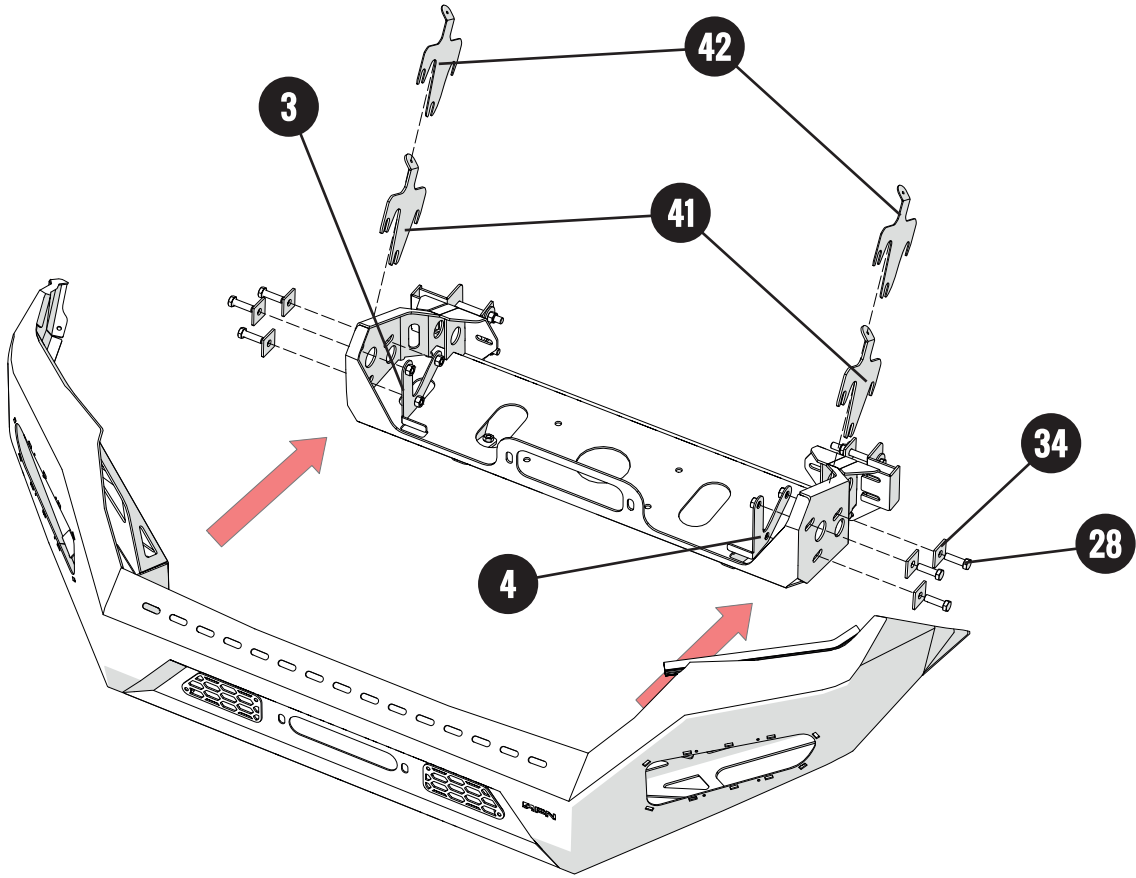
Just finger tight all bolts  
**Do Not tighten yet.**

If you have done it correctly, this is what it should look like.

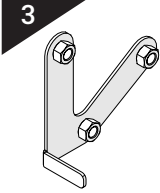
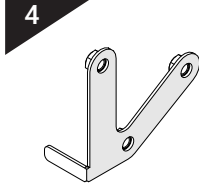
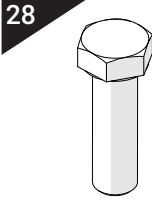
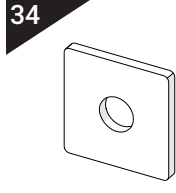
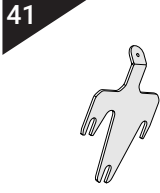
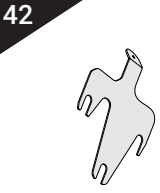


**Step 10 - Fitting the AFN Bullbar | Front Bumper on Winch Bracket**

Preview



**Parts needed:**

- |   |   |  |  |  |  |
|---|---|--|--|--|--|
|  <p><b>3</b></p>  |  <p><b>4</b></p> |  <p><b>28</b></p>   |  <p><b>34</b></p> |  <p><b>41</b></p> |  <p><b>42</b></p> |
| <p><b>x1</b> Triple Nut Plate <b>M12</b> <b>x1</b> Triple Nut Plate <b>M12</b> <b>x6</b> Bolt <b>M12x40</b></p> <p>Right Side Left Side</p> |   | <p><b>x6</b> Square Washer <b>M12</b> <b>x2</b> Side Winch Bracket Shim <b>x2</b> Side Winch Bracket Shim</p> <p>40x40 4mm thickness 2mm thickness</p> |  |  |  |

**Step 10 - Fitting the AFN Bullbar | Front Bumper on Winch Bracket**

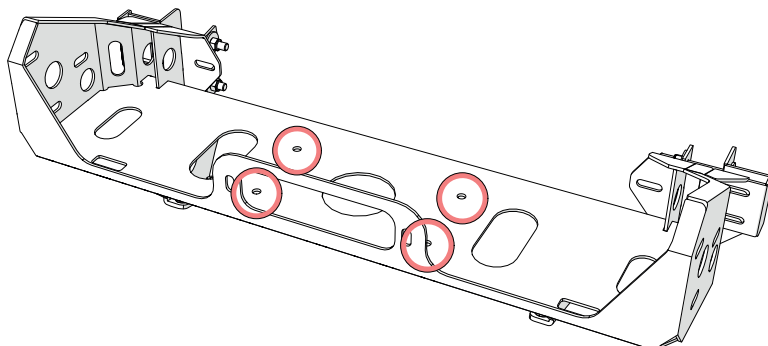
**Installation**

**ATTENTION!**

*If you have a winch to be mounted, now is the time to do it before fitting the AFN Bullbar | Front Bumper(1) on the vehicle.*

Use the OEM\* Winch bolts in the highlighted areas.

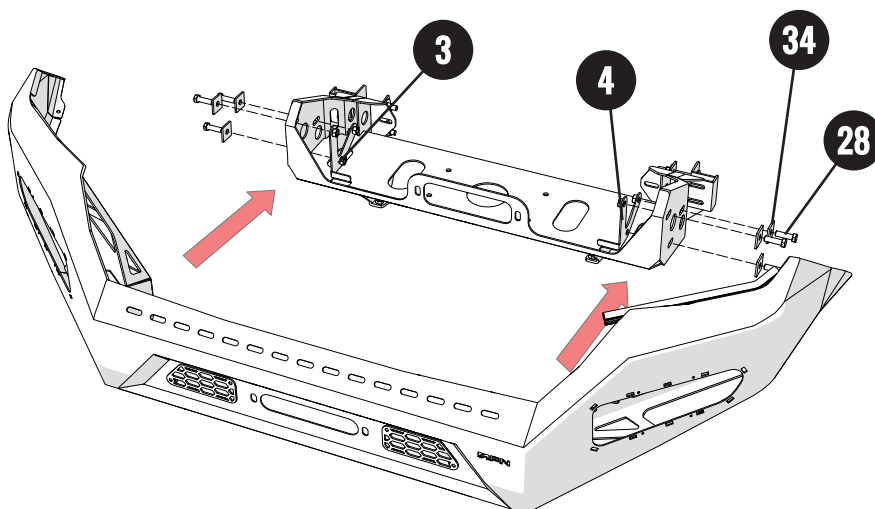
Once everything is correctly fitted, **Give the final torque.**



With help of another person or a crane, lift the **AFN Bullbar | Bumper(1)** and place it over the **Winch Bracket(2)**, as showed in the image.

Use 6x Bolts M12x40(28), with 6x Square Washers M12(34) and both Triple Nut Plates M12(3) and (4).

Just finger tight all bolts **Do Not tighten yet.**



**ATTENTION!**

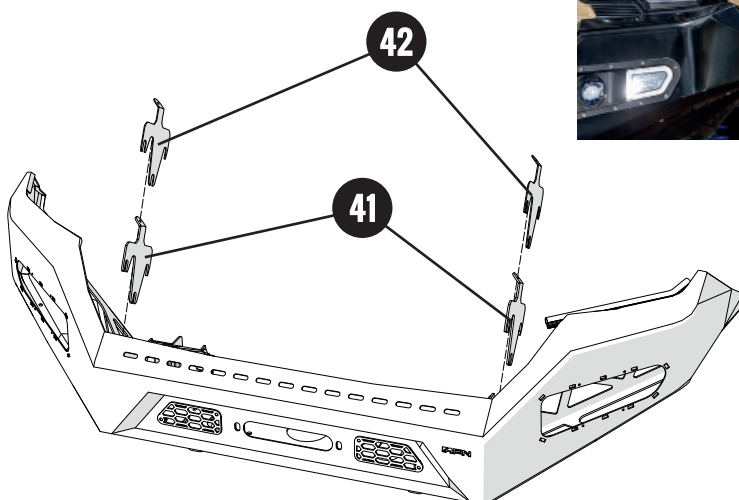
When everything is correctly fitted, please check and use, if needed, the supplied shims with **2mm thickness(42)** and **4mm thickness(41)**, to adjust the best way the **Winch Bracket(2)** to the body and **Chassis**.

Mind that this is a precision task, please take time to correctly assemble this step.

*Use them only if you have to, they are optional and may not be needed.*

Once everything is correctly fitted, **Give the final torque on all bolts.**

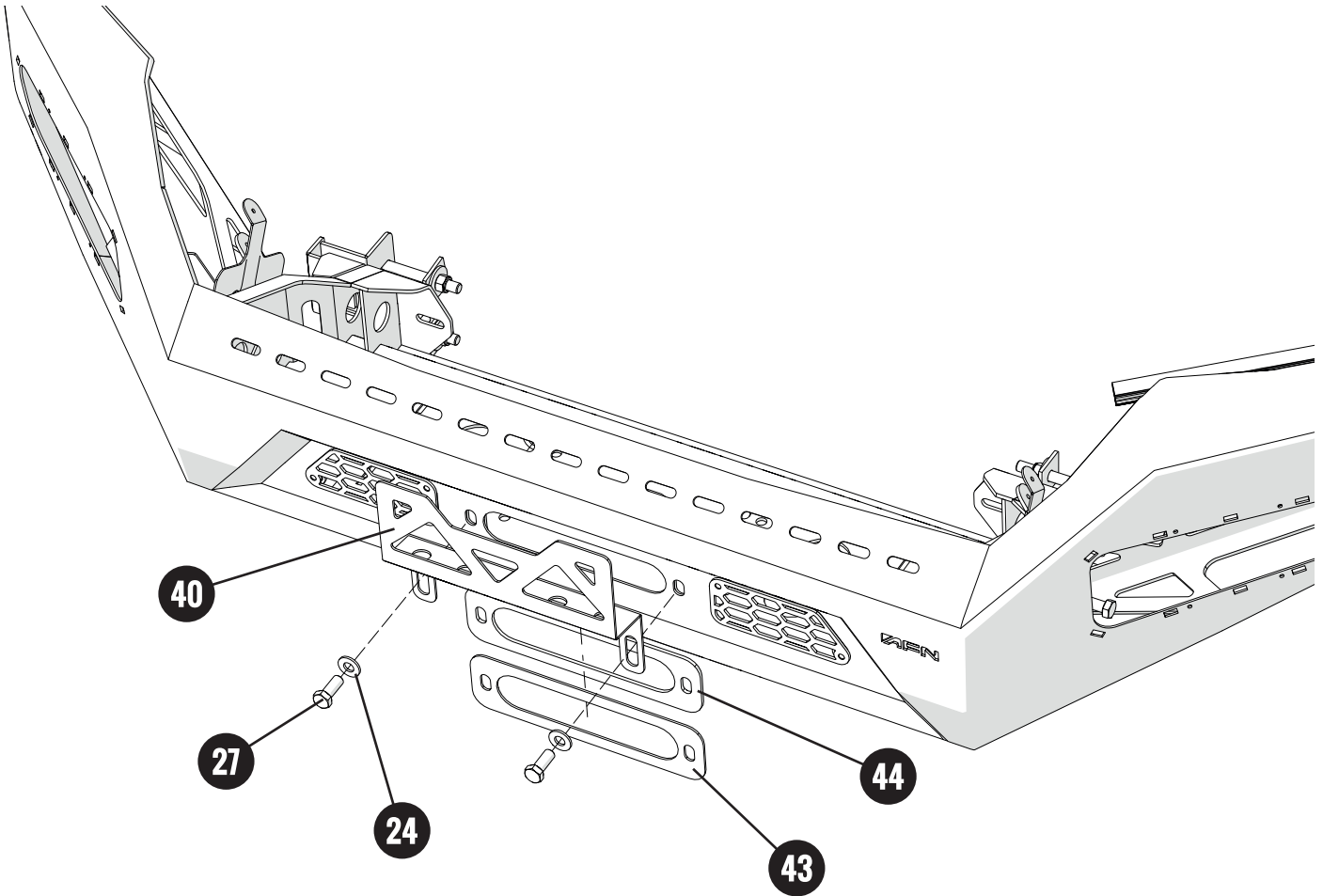
Check the image on the right to see that the **AFN Bullbar | Bumper(1)** must have an equal gap (**10-15 mm**) on both sides.



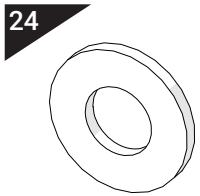
\*OEM - Original Equipment Manufacturer

**Step 11 - Fitting Plate Bracket**

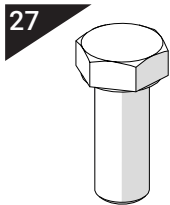
Preview



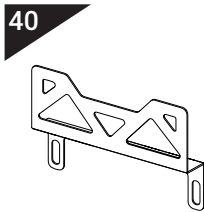
**Parts needed:**



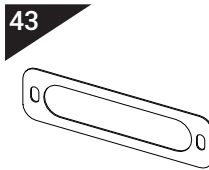
**x4** Washer M12



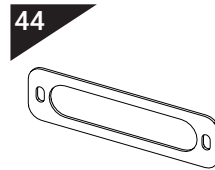
**x2** Bolt M12x30



**x1** Plate Bracket



**x1** Side Winch Bracket Shim  
2,5mm thickness



**x1** Side Winch Bracket Shim  
4mm thickness

## Step 11 - Fitting Plate Bracket

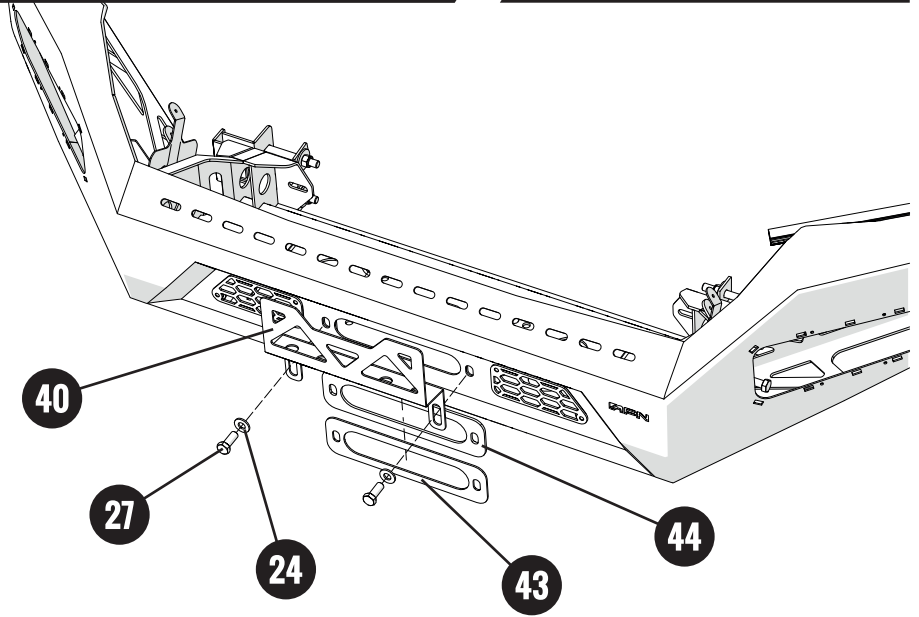
## Installation

Once that is done, take on License Plate Bracket and fit it into the **AFN Bullbar | Bumper(1)**.

Use 2x Bolts M12x30(**27**) with 4x Washers M12(**24**) and 2x Nylock Nuts M12(**29**).

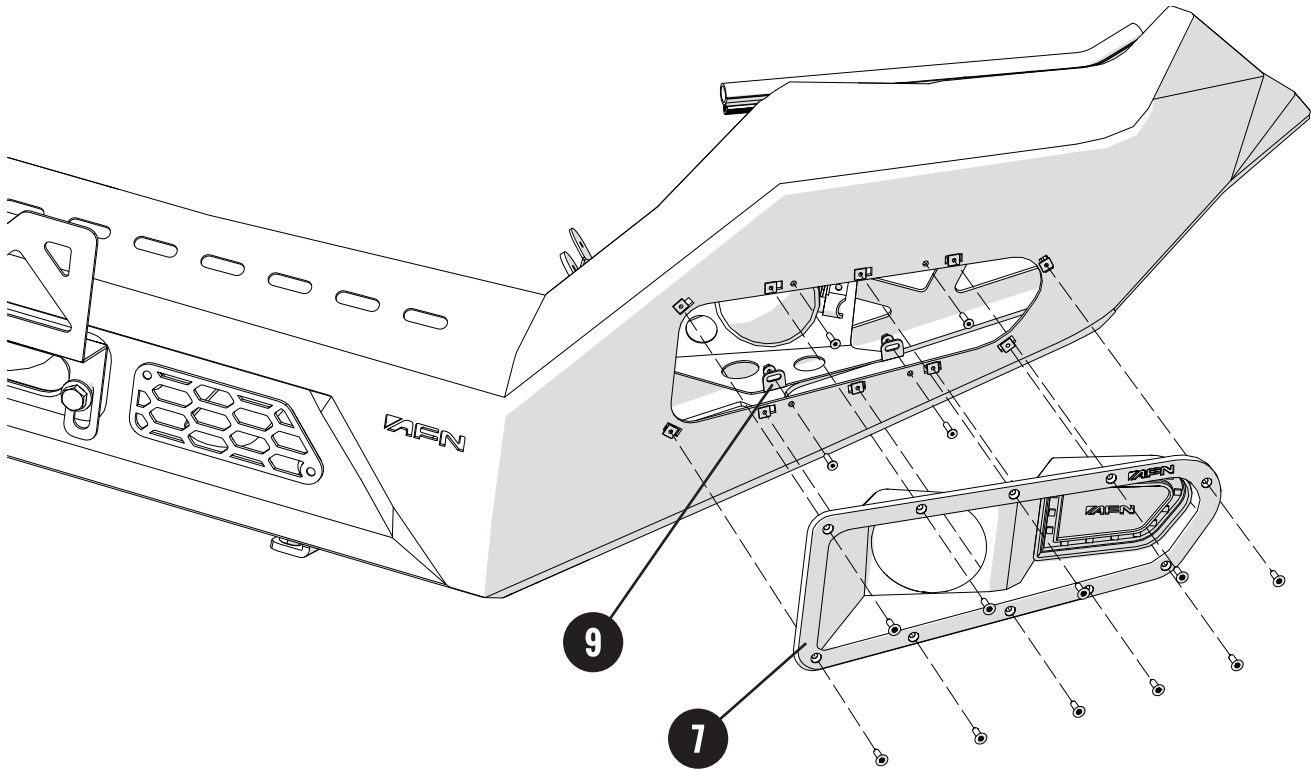
Use the supplied shims with **2,5mm thickness(43)** and **4mm thickness(44)**, to adjust the best way the **Winch Bracket(2)** to the body and Chassis.

*Use them only if you have to, they are optional and may not be needed.*

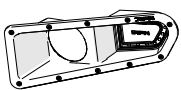
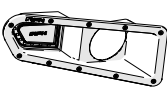
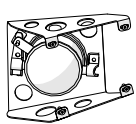
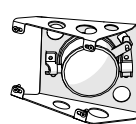


**Step 12 - Fitting the AFN Led Lights in the AFN Bullbar | Bumper**

**Preview**



**Parts needed:**

<b>7</b>	<b>8</b>	<b>9</b>	<b>10</b>
			
x1 AFN Led Light Right Side	x1 AFN Led Light Left Side	x1 Aluminium Bracket w/ Fog Light Left Side	x1 Aluminium Bracket w/ Fog Light Right Side

NUMBER	REF	QUANTITY
A2	47002088	1x
B2	46007977	1x
C2	45001114	10x
D2	45001113	10x
E2	45000877	2x

**7 48002544**

NUMBER	REF	QUANTITY
A3	46008195/6	1x
B3	45000383	2x
C3	45000402	2x
D3	45000476	2x
E3	45000896	1x
F3	45000982	4x
G3	45001166	4x

**9 48002608**

**Step 12 - Fitting the AFN Led Lights in the AFN Bullbar | Bumper**

**Installation**

Once the **AFN Bullbar | Bumper(1)** is in place, it's time to fit the **AFN Led Lights**.

Start by fitting the Fog Light(**E3**) in the Aluminium Bracket(**A3**) using 2x Bolts M5x20(**B3**) with 2x Washers M5(**D3**) and 2x Nylock Nuts M5(**C3**).

Then, fit the Aluminium Bracket(**A3**) in the **AFN Bullbar | Front Bumper(1)**.

Use 4x Bolts M4x16(**F3**) with 4x Flange Nuts M4(**G3**).

**Give the final torque.**

Once that is done, fit 10x Plastic Nuts **M6(D2)** in **AFN Bullbar | Bumper(1)**.

**Tip1:**

*You may use a rubber mallet to easily fit the 10x Plastic Nuts.*

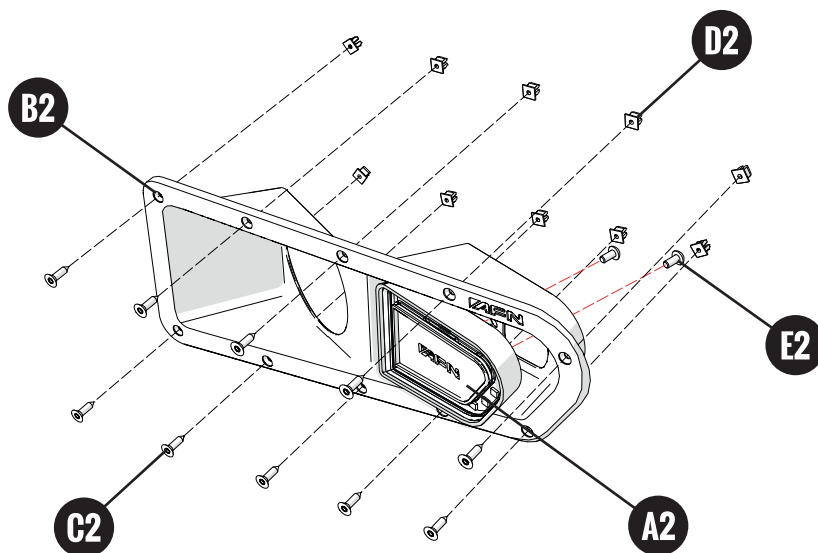
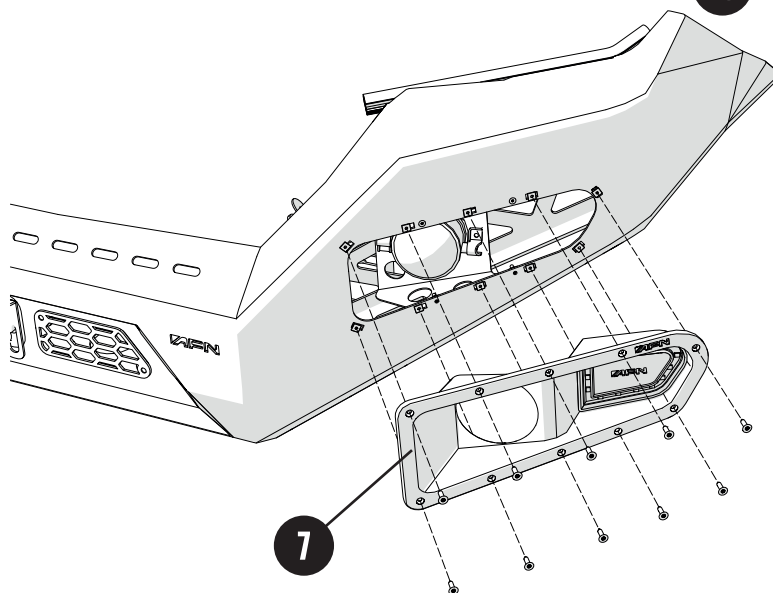
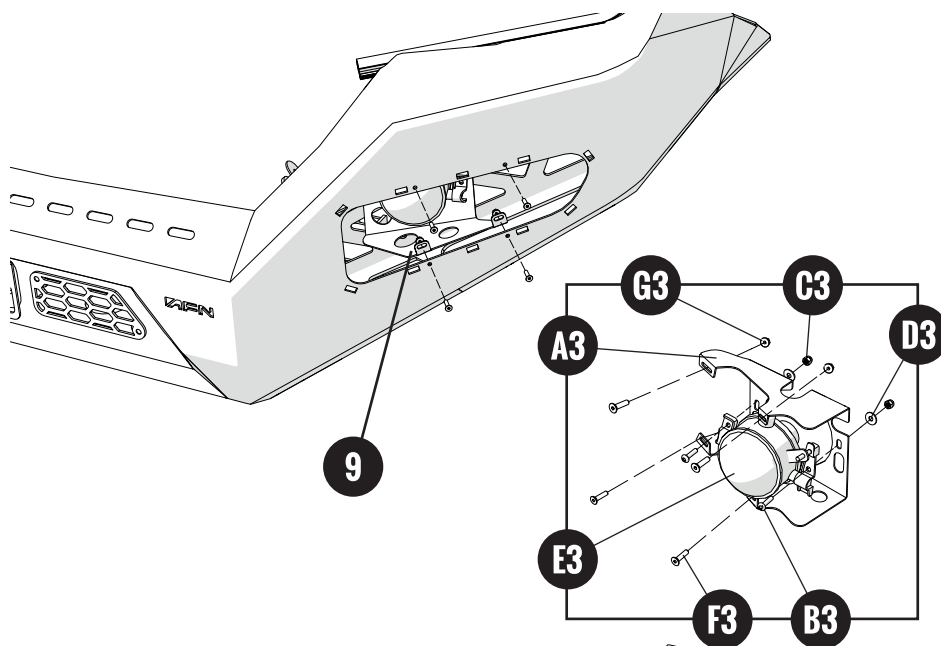
Then, take on Led Light(**A2**) and fit it in the Rubber mask(**B2**) using 2x Bolts M5x10(**E2**).

Once that is done fit the Rubber Mask assembled in the **AFN Bullbar | Bumper(1)**.

Use 10x Bolts M4x16(**C2**) with 10x Plastic Nuts M4(**D2**).

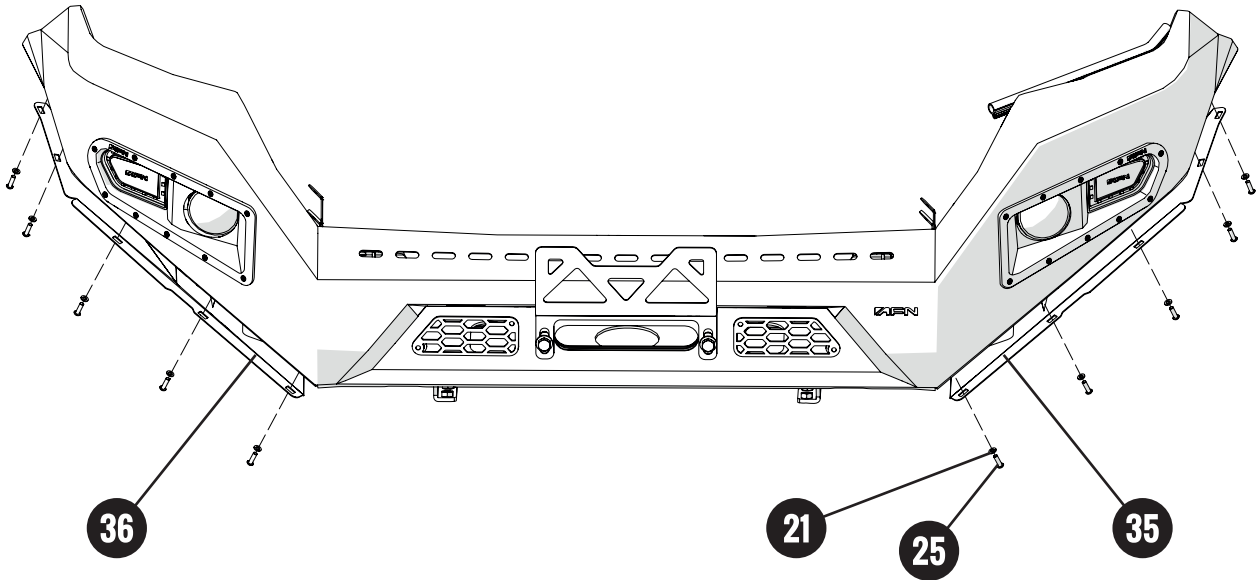
**Please be in mind that there is no need to overtight these bolts, because the rubber masks will be crushed causing an unpleasant look.**

Repeat this step on the other side.

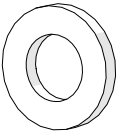
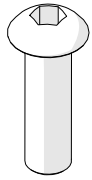
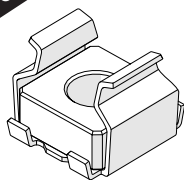
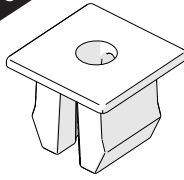
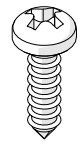




**Step 13 - Fitting the Flaps in the AFN Bullbar | Bumper**

Preview



**Parts needed:**

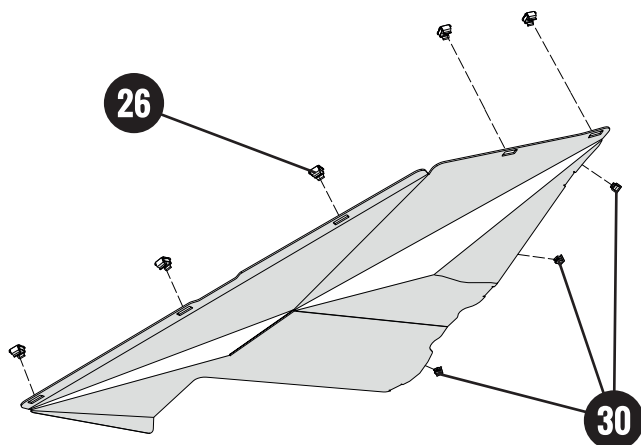
- |  |   |   |   |   |   |
|--|---|---|---|---|---|
| <p><b>21</b></p>  <p><b>x10 Washer M6</b></p> | <p><b>25</b></p>  <p><b>x10 Bolt M6x20</b></p> | <p><b>26</b></p>  <p><b>x2 Cage Nut M6</b></p> | <p><b>30</b></p>  <p><b>x6 Plastic Nut M3,5</b></p> | <p><b>31</b></p>  <p><b>x6 Bolt M3,5</b></p> | <p><b>35</b></p>  <p><b>x1 Left Flap</b></p> |
| <p><b>36</b></p>  <p><b>x1 Right Flap</b></p> |   |   |   |   |   |

**Step 13 - Fitting the Flaps in the AFN Bullbar | Bumper**

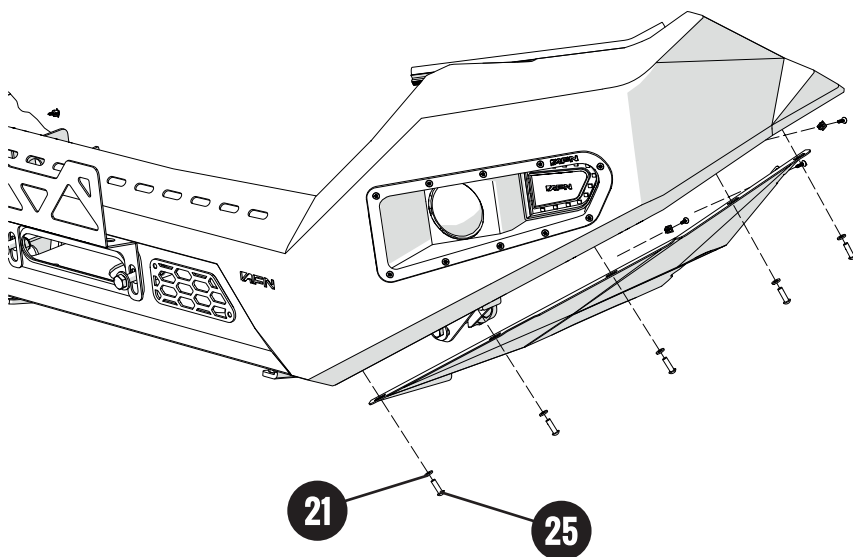
**Installation**

Fit **Left Flap(35)** in **AFN Bullbar | Bumper(1)**.

But first, we advise to fit 6x Cage Nuts M6(**26**) on front and 3x Plastic Nuts M6(**30**) at the back.



Once all the cage nuts are fitted on the **Left Flap(35)** use 6x Bolts M6x20(**31**) with 6x Washers M6(**21**), to fit the top of the **Left Flap(35)** on the **AFN Bullbar | Bumper(1)**.

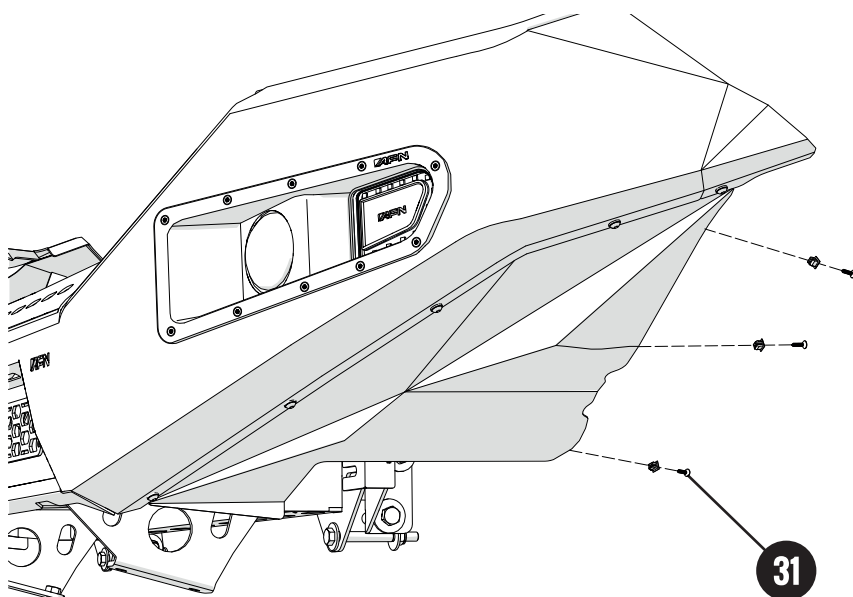


**Give the final torque.**

Push the **Left Flap(35)** to the *OEM\** plastic fenders and mark the cut line, then cut *OEM\** plastic fender.

Mark a hole on the inner side of wheel fender.

Drill a **2mm** diameter hole and fix the flaps through these holes using 3x Bolt M4x15(**31**), as showed.

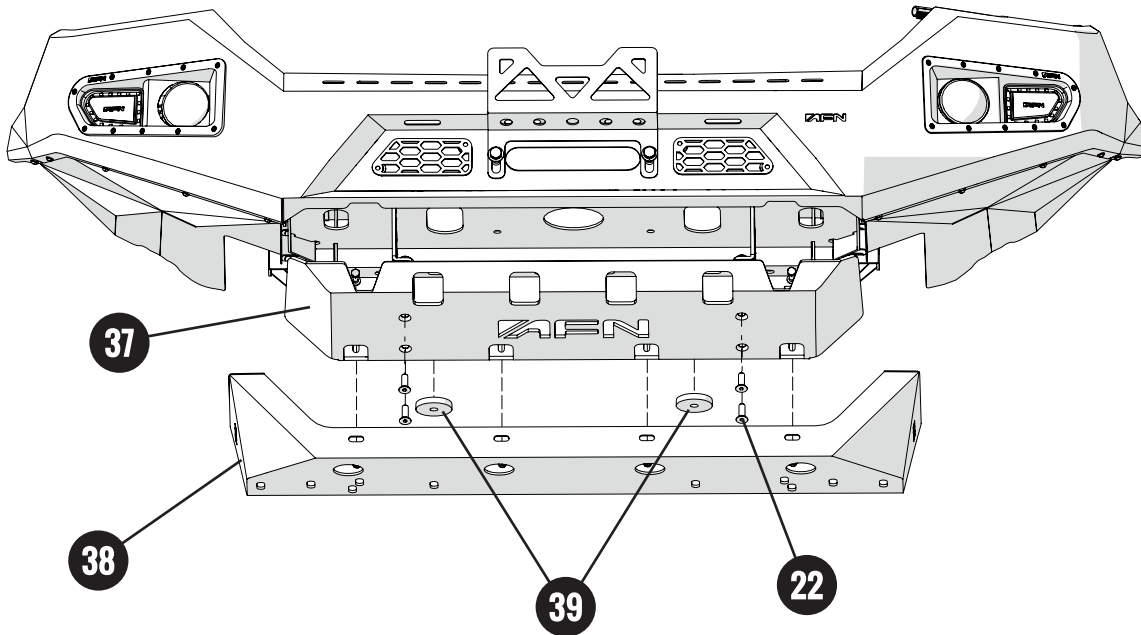


**Give the final torque.**

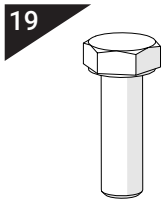
Repeat all these steps on the other side for the **Right Flap(36)**.

**Step 14 - Fitting the Front Skid Plate in the AFN Bullbar | Bumper**

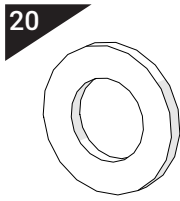
Preview



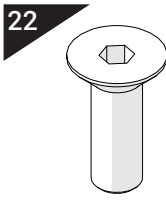
**Parts needed:**



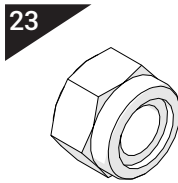
x4 Bolt M8x25



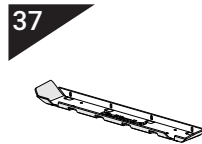
x8 Washer M8



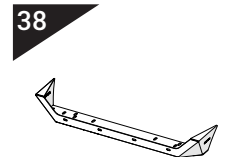
x4 Bolt M10x30



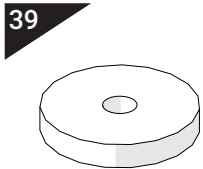
x4 Nylock Nut M8



x1 Front Skid Plate  
(Upper)



x1 Lower Skid Plate



x2 Round Shim

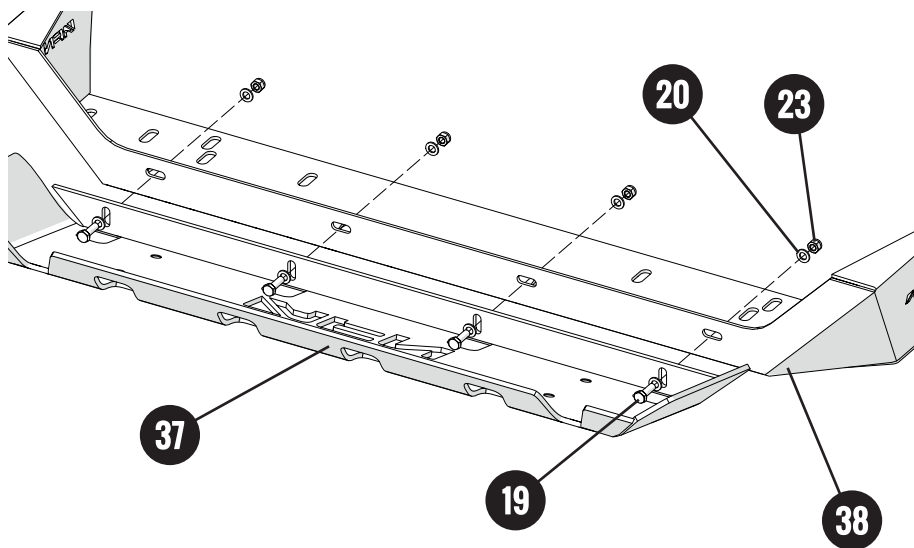
**Step 14 - Fitting the Front Skid Plate in the AFN Bullbar | Bumper**

**Installation**

Finally, it's time to fit the Skid Plates that are attached to the **AFN Bullbar | Bumper**(1).

Use 4x Bolts M8x25(**19**) with 8x Washers M8(**20**) and 4x Nylock Nuts M8(**23**).

**Tip:**  
You may fit Front Skid Plate(**37**) and Lower Front Skid Plate(**38**), separately or fit them together.

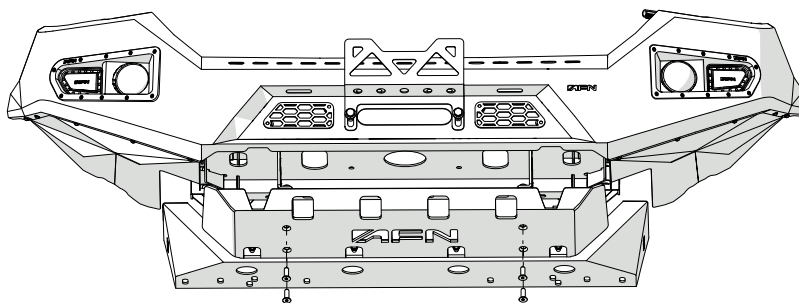


Just finger tight both bolts

**Do Not tighten yet.**

Fit **Front Skid Plate**(37) on the **Winch Bracket**(2).

Use 4x Bolts M10x30(**22**), two on each side, as showed in the image.

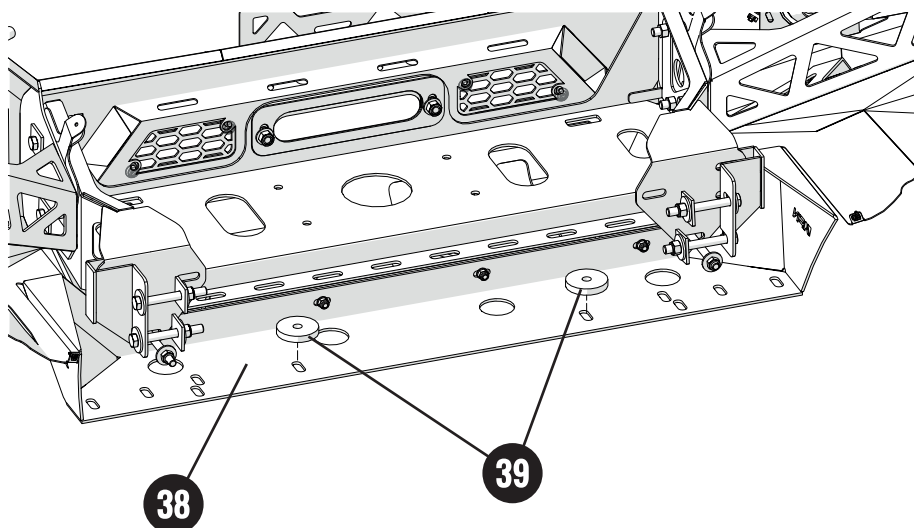


Just finger tight both bolts

**Do Not tighten yet.**

Finally, take on **Lower Skid Plate**(38) and fit it beneath the **Chassis**.

Use 2x *OEM\** Bolts with 2x Round Shim **10mm thickness**(39).



Once everything is correctly fitted,

**Give the final torque on all bolts.**

## Step 15 - Final Result

Your new **AFN BULLBAR | FRONT BUMPER** is now installed on your **Toyota TACOMA**!

Have Fun!



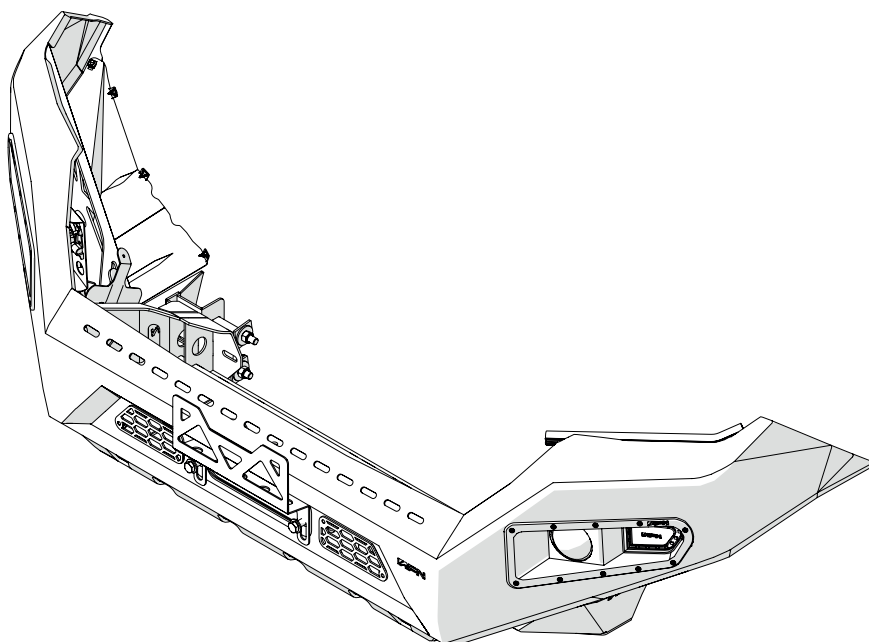
## Reminder !

Before operating a vehicle fitted with an **AFN Bullbar | Front Bumper**:

- Make sure all fittings are tightened
- Check winch operation (if installed)
- Check all electrical wiring attached to lights and parking sensors (if installed)

## Maintenance | Care

Periodically check and tighten all nuts. Stripped, fractured or bent bolts or nuts need to be replaced.





# 3 TACOMA CATALOGUE

**AFN 4x4 Accessories** is becoming a well known brand for its products due to its quality, design and safety which are challenged for thousands of people everyday, worldwide.

In its diversity of products we can include, with all-terrain quality, protection, safety and aesthetic accessories. With that being said, **AFN 4x4** has some other accessories that every offroad passionate would like to have, such as **Body Protections, Underbody Protections, Light Holders, Storage** (Wheel Supports and Jerry-can carriers) and others related to the **Aesthetics**.

We have some 4x4 accessories that combine with the original model lines that if you take a closer look you will see that they don't appear to be an accessorie, but a must-have.

Please be in mind that some accessories are available only to some models.  
Feel free to check all the products that may interest you in our website at: [www.afn.pt](http://www.afn.pt)



Ref.: 48002600 - Front Bumper with fog lights



Ref.: 48002599 - Rear Bumper w/ Wheel Carrier and Jerrycan Holder

## 4 WARRANTY TERMS

**AFN4x4** products are warranted free from defects in materials and workmanship for a period of two (2) years from the date of initial retail purchase. Third-party components are delivered under the original manufacturer warranty.

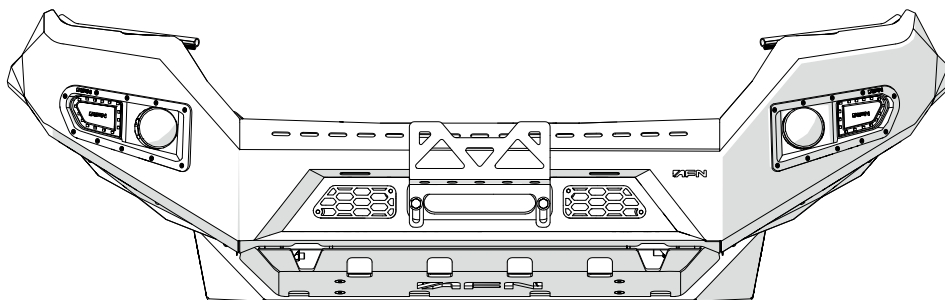
Under the present warranty, **AFN4x4** obligation shall be limited to repairing, replacing or crediting, at its option, any part found to be defective.

**AFN4x4** does not warrant or make any representations concerning its goods when:

- a) The products are purchased used, scratch and dent or when the box was opened.
- b) The products are not installed, used, and maintained strictly in accordance with **AFN4x4**'s instructions.
- c) The products are installed in vehicles that are used in competition.
- d) The products are installed in vehicles fitted with aftermarket non-standard tires with diameters in excess of OEM\* specifications.
- e) The products are installed in vehicles with engines that have been modified to increase performance.

**AFN4x4** will not be responsible for goods damaged in transit. If any goods arrive damaged, please contact the **AFN4x4** as soon as possible. **AFN4x4** will assess and may arrange to have the damaged goods returned to a **AFN4x4** Distributor and arrange for a replacement of the goods. Damaged goods must be returned in the condition received by you with all original packaging, accessories and/or manuals. If they are not returned in same condition sent there may be an additional fee charged.

To file a claim under this warranty please contact **AFN4x4** at +351 256 808 300 or via email at [geral@afn.pt](mailto:geral@afn.pt) to request a *Returned Goods Authorization (RGA)* number and instructions for returning the defective component.





DON'T JUST SETTLE FOR THE SAME OLD BULL

**AFN**<sup>®</sup>  
4 X 4 ACCESSORIES

WWW.AFN.PT | SALES@AFN.PT | FACEBOOK.COM/AFN4X4

# WELCOME TO THE AFN FAMILY



União Europeia  
Financiada pelo  
Fundo Europeu de Desenvolvimento Regional

**AFN**<sup>®</sup>  
4 X 4 ACCESSORIES