

CRAFTED LIKE NO OTHER

DON'T JUST SETTLE
FOR THE SAME
OLD BULL

OWNER MANUAL

TOYOTA
LAND CRUISER 200 2018+

AFN[®]
4 X 4 ACCESSORIES

WELCOME TO THE AFN FAMILY

This manual contains the **Toyota LAND CRUISER 200 +2018** fitting instructions for:
Bull Bar Ref.: 48002602 Front Bumper Ref.: 48002603

1 INTRODUCTION



The Company

Founded in 1995, AFN - 4x4 Accessories dedicates itself to the production and commerce of all-terrain accessories. Its constant concern in its customers total satisfaction, and in the ideals of innovation and transformation have granted a position of notability both in the national and international panorama.

The only company in Portugal in the mass production of 4x4 accessories, relies on specialized and experienced technicians, with the most adequate knowledge, to an efficient response capability to its customers demands.

Thanks to the specialization in the several areas of design and manufacture and to a constant investment in technology, AFN has been broadening its wide range of products, without ever neglecting the quality factor.

4x4 Accessories

In its diversity of products we can include, with all-terrain quality, protection, safety and aesthetic accessories.

And it is here that AFN invest on the best technology, the best cut precision of the raw material, and the transformation of products with the quality recognized in the marketplace.

AFN has, at its disposal, resources to test and analyse the resistance of its products and stands in the front row regarding the European homologation of materials dedicated to all terrain.

The contact with the most important test laboratories for vehicles, both in England, Spain and Germany, provides AFN with the know-how to manufacture a wide range of quality products.

Our Design Approach

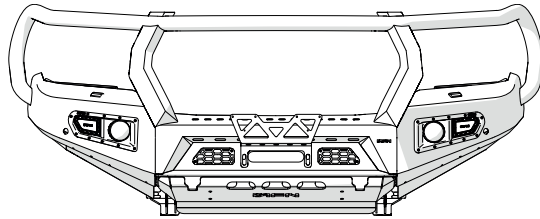
AFN designs each accessory taking into consideration the original model lines and fitting points. We refuse to have a "one design fits all" solution and we are always looking forward to embrace new challenges on how to adjust a new product into a new model!

The days of just throwing on a bit of steel together to form a protection system are gone. AFN is leading the way modern vehicle protection components are manufactured. Other will follow, and it won't be long where the AFN approach to Styling, Fit, Form and Function will become the benchmark for all other manufacturers.





INDEX



AFN 4x4 Accessories
Product: **Bullbar**
Part Ref.: **48002602**

Product: **Front Bumper**
Part Ref.: **48002603**

Introduction 2

1 Checklist 4
Product 48002602
Product 48002603

2 Fitting Instructions 6

3 LC200 Catalogue 27

4 Warranty Terms 28

5 AFN 4x4 Partners 29



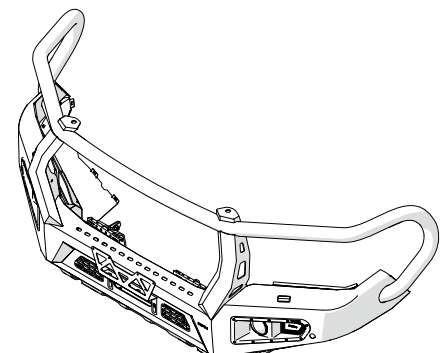
1 CHECKLIST

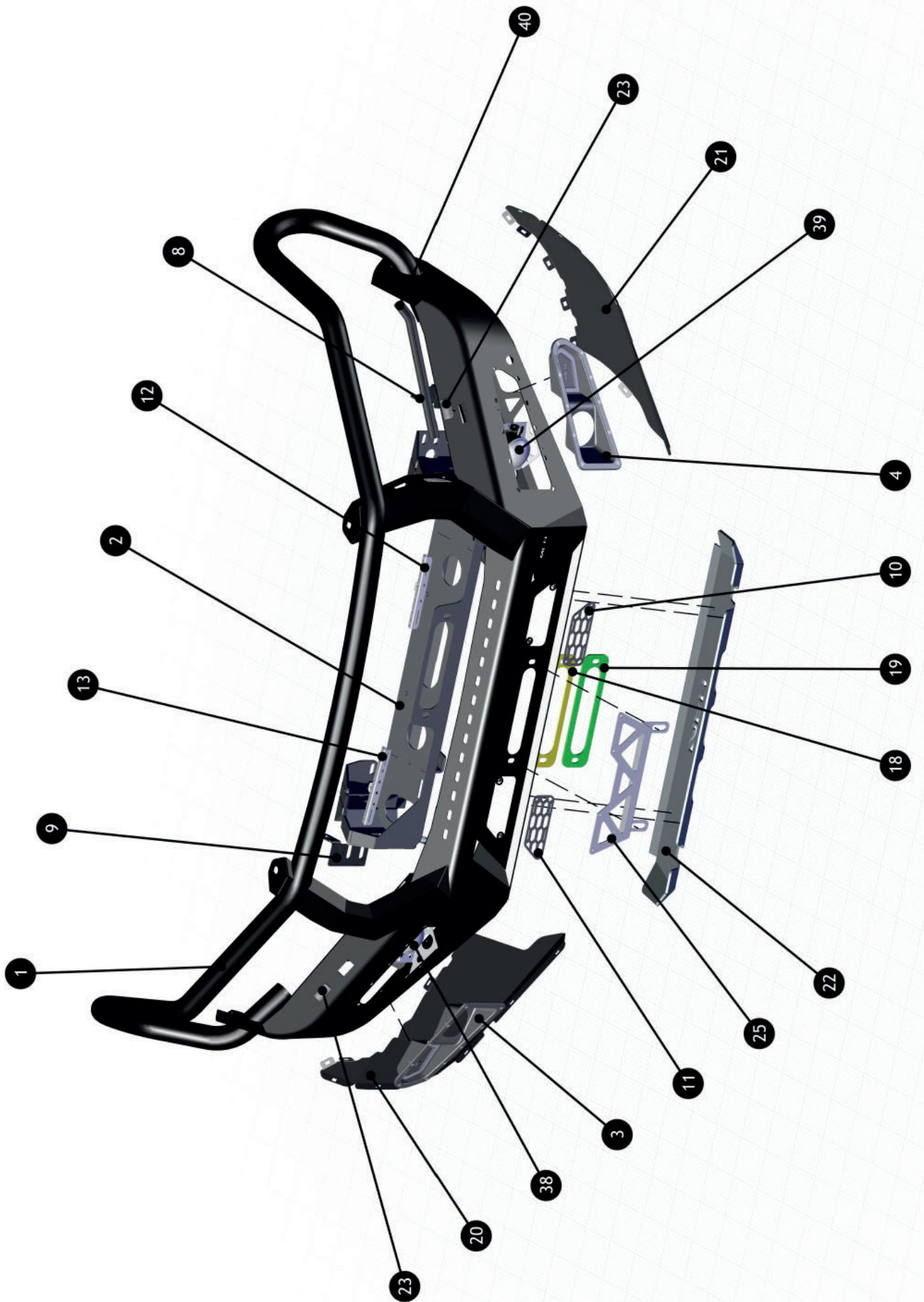


- In this section you have a checklist with all parts included for the installation of your AFN product
- This product should be installed as demonstrated in the product fitting instructions
- If verified that any component is damaged, please contact your nearest AFN distributor
- The specified parts will only fit in the models specified by AFN
- Do not modify any component of the product

This checklist is for product **48002602 and 48002603**.

NUMBER	DESCRIPTION	REFERENCE	QTY	NUMBER	DESCRIPTION	REFERENCE	QTY
1	Bullbar - LC200 2018	47002099	1x	26	Rubber Nut	45001269	4x
2	Winch Bracket - LC200 2018	47002098	1x	27	Washer M12	45001250	2x
3	Fog Lights - (Left Side)	48002545	1x	28	Flange Nut M4	45001166	8x
4	Fog Lights - (Right Side)	48002544	1x	29	Nylock Nut M12	45001033	2x
5	Triple Nut Plate M12 - (Right Side)	47002136	1x	30	Bolt M12x40	45001029	6x
6	Triple Nut Plate M12 - (Left Side)	47002135	1x	31	Bolt M12x30	45001027	2x
7	Plate Nut M12	47002134	2x	32	Cage Nut M6	45001012	20x
8	Winch Reinforcement (Left Side)	47002133	1x	33	Bolt M6x20	45000998	20x
9	Winch Reinforcement (Right Side)	47002132	1x	34	Washer M12	45000995	4x
10	Bumper Grill (Right Side)	47002083	1x	35	Bolt M4x16	45000982	8x
11	Bumper Grill (Left Side)	47002082	1x	36	Bolt M10x30	45000934	4x
12	Grill Bracket (Right Side)	46008263	1x	37	Washer M6	45000931	10x
13	Grill Bracket (Left Side)	46008264	1x	38	Fog Light (Right Side)	45000897	1x
14	Aluminium Bracket for Fog Light (Right Side)	46008262	1x	39	Fog Light (Left Side)	45000896	1x
15	Aluminium Bracket for Fog Light (Left Side)	46008261	1x	40	Rubbers (Side - 775 mm / Front - 1030 mm)	45000502	3x
16	Side Winch Bracket Shim 2mm thickness	46008210	2x	41	Washer M6	45000500	10x
17	Side Winch Bracket Shim 4mm thickness	46008209	2x	42	Washer M5	45000476	8x
18	Front Winch Bracket Shim 4mm thickness	46008194	2x	43	Nylock Nut M5	45000402	8x
19	Front Winch Bracket Shim 2mm thickness	46008193	1x	44	Bolt M5x20	45000383	4x
20	Left Flap - LC200 2018	46008067	1x	45	Bolt M8x15	45000120	2x
21	Right Flap - LC200 2018	46008066	1x	46	Washer M8	45000048	4x
22	Front Skid Plate	46008065	1x	47	Bolt M12x30	45000037	2x
23	Headlight Washer Spray Cap - LC200 2018	46007745	2x	48	Nylock Nut M8	45000018	2x
24	Square Washer M12	46007001	6x	49	Zipties	45001198	6x
25	Plate Bracket	46005518	1x				





2 FITTING INSTRUCTIONS

WARNING:

Before you begin installation, read all instructions thoroughly. Proper tools will improve the quality of installation and reduce the time required.

- This product should be installed as demonstrated in the *Product «Fitting Instructions»*;
- The specified parts, will only fit the models specified by **AFN**;
- Do not modify any component of the product;
- It is recommended that this product is installed by specialized and trained personnel;
- AFN doesn't take responsibility for changes made in the vehicle by its manufacturer;
- Work safely and use specialized tools at all times;
- **Always use protective gear.**

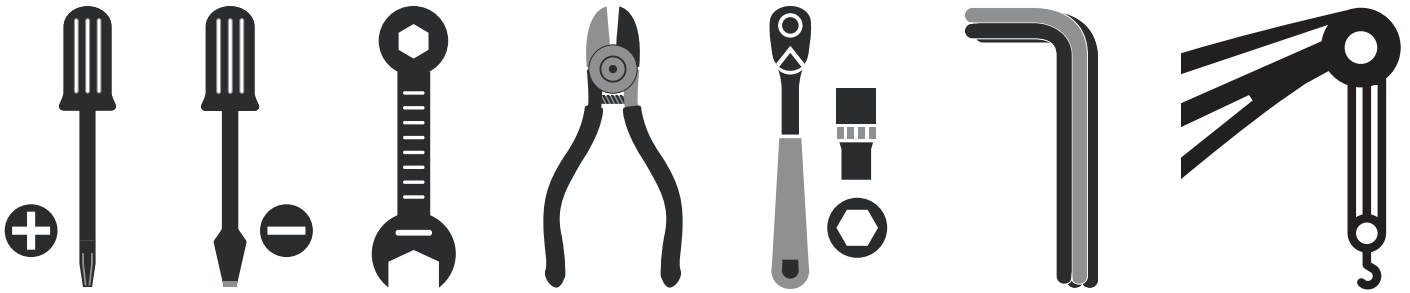


Size	Torque Nm	Torque lbft
M6	9 Nm	7 lbft
M8	22 Nm	16 lbft
M10	44 Nm	32 lbft
M12	77 Nm	57 lbft

Mouting Time

- 5 hours
- 2 persons (recommended)

Tools Required



- Screwdriver star head
- Screwdriver flat head
- Wrench
- Wire cutter
- Ratchet wrench
- Allen wrench
- Crane

Step 1

Start by removing the 5 *OEM** plastic bolts of the plastic cover.

(Be aware that you must save the *OEM** bolts and nuts.)

The plastic cover will be fitted again later on.



Step 2

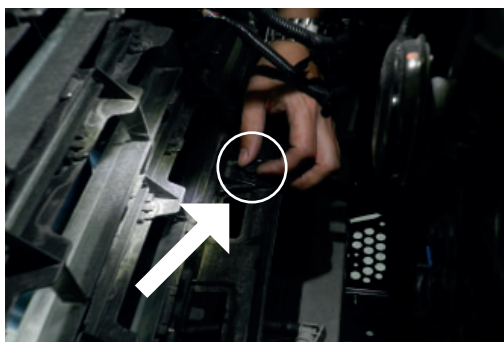
Once that is done, start by loosening the *OEM** Grill.

So, on the inner side, there are some fasteners that must be removed.



On the bottom part there are more 4 plastic bolts that needs to be removed.

The *OEM** Grill should be loosen, but don't remove it yet.



Step 3

Then, go to the **CAVA DA RODA**, and loosen all the *OEM** Bolts of it.

(Be aware that you must save the *OEM** bolts and nuts.)



Step 4

Also, be aware of the plastic part in **CAVA DA RODA** shown in the image and remove it as well.

Go to bottom part of the vehicle, and remove the *OEM** plastic Underbody protection.

(Be aware that you must save the OEM bolts and nuts.)*



Step 5

Once that is done, remove the other plastic part attached to the OEM Bumper.

Repeat this step on the other side.



Step 6

Go to the front of the vehicle and carefully remove the *OEM** plastic parts. Each part has **5 fasteners** on it.

Be in mind that this a precision task, so please take time to correctly deattach these parts.

Once they are out, the bumper should be loosen, as shown in the image.



Step 7

Before removing the *OEM** Grill, please be aware of all the cables that needs to be correctly disconnected.

So, let's start with by disconnecting the electrical cables of the front camera.

(If you prefer, you may use a ziptie to fix the cables.)



Step 8

Then, dettach the cable of the headlight washer and isolate it with duct tape, as showed.

Once everything seems correct, remove the *OEM** Grill.



Step 9

Then remove the *OEM** plastic part shown in the image.

Afterwards, remove the *OEM** grey reinforcement.

If you done it correctly this is what it should look like.



Step 10

Once that is done, place the *OEM** front bumper on a flat working surface and start removing the all the **Eletrical wiring** and **Headlights Washer cable** in the bumper.

If you prefer, you may use a flat head screwdriver to remove the cable's fasteners.

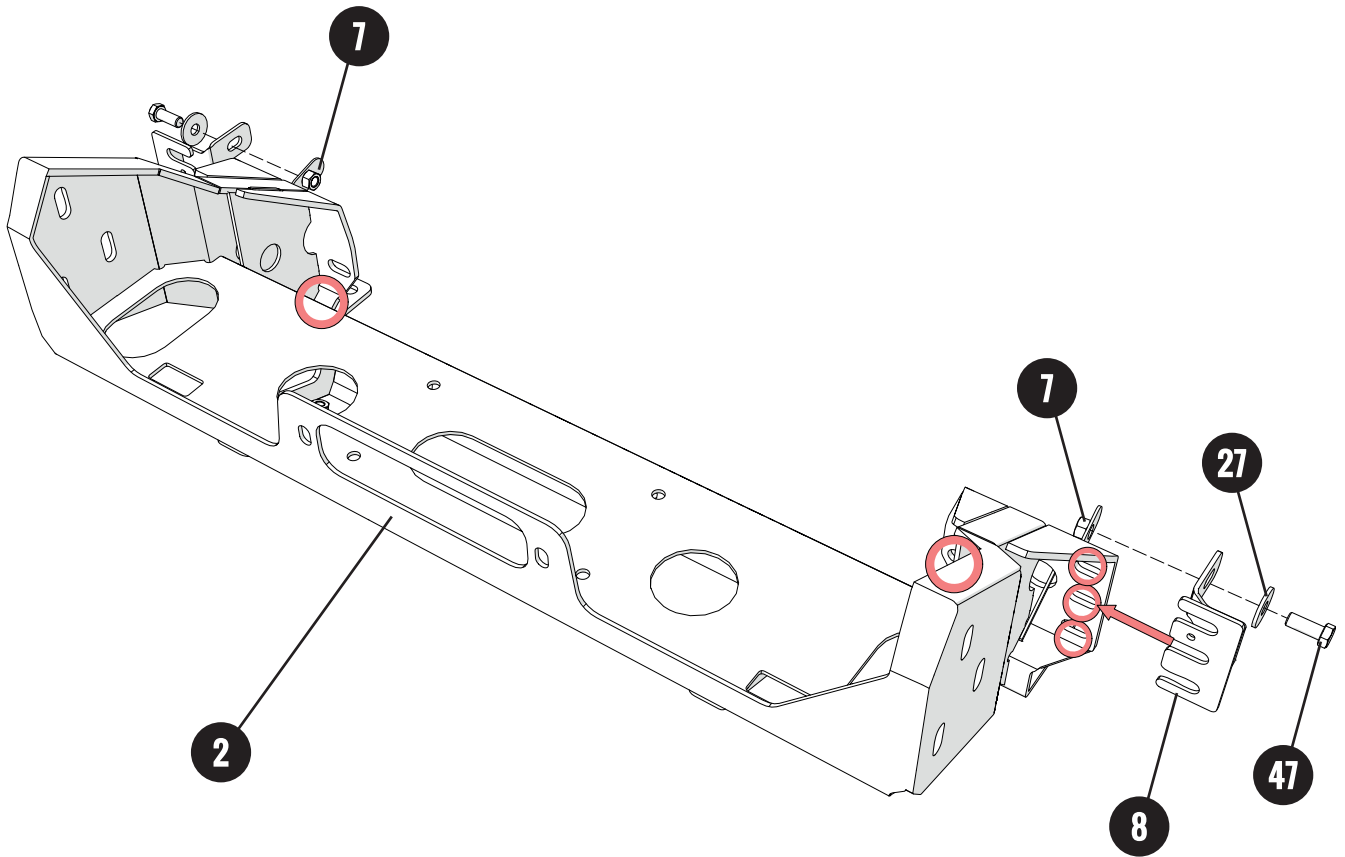
*(Be aware that you must save these *OEM** cables, you'll use it later on.)*



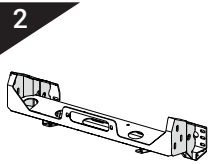
*OEM - Original Equipment Manufacturer

Step 11 - Fitting the AFN Winch Bracket on Chassis

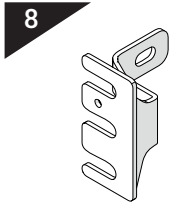
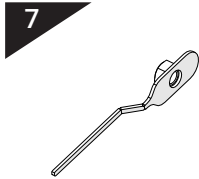
Preview



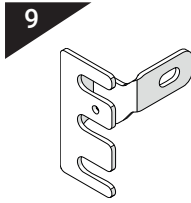
Parts needed:



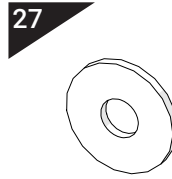
x1 Winch Bracket LC 200 **x2** Nut Plate M12
2018



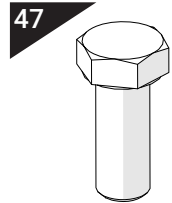
x1 Winch Reinforcement
Left Side



x1 Winch Reinforcement
Right Side



x2 Washer M12



x2 Bolt M12x30

Step 11 - Fitting the AFN Winch Bracket on Chassis

Installation

Take on **Winch Bracket(2)** and fit it into the **Chassis**.

This part must be fitted on the vehicle original points, see image.

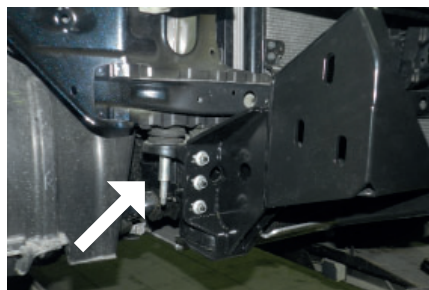
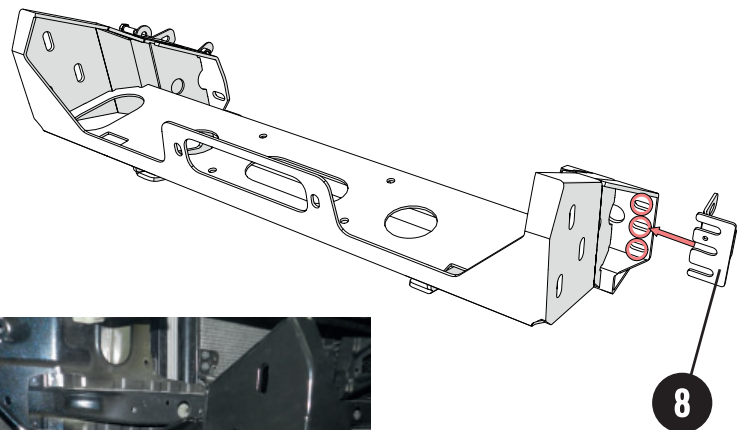
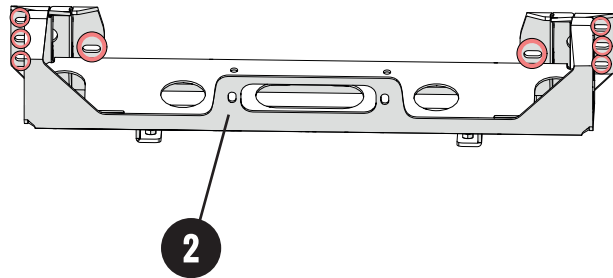
Use 6x *OEM** Nuts on the outer side. In the middle use 2x *OEM** Bolts. **Check marked spots.**

Just finger tight all bolts
Do Not tighten yet.

If you done it correctly it should look like the image on the right.

Then, take on **Left Winch Reinforcement(8)** and fit it between the **Winch Bracket(2)** and the *OEM** Nuts, previously fitted.

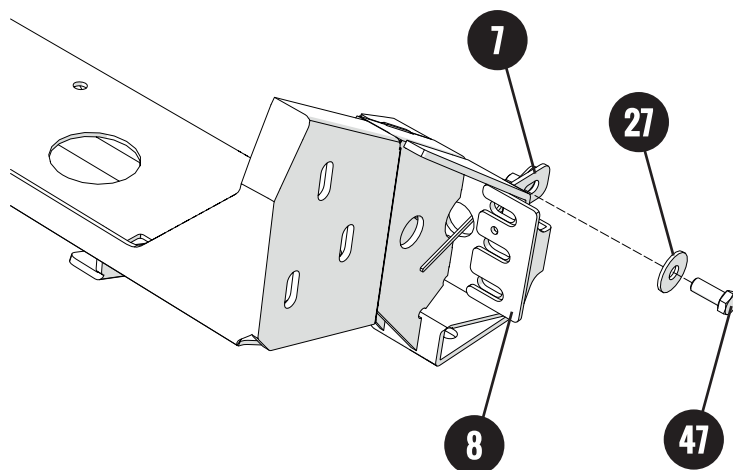
Please note that you may need to remove the *OEM** Silentblocks.

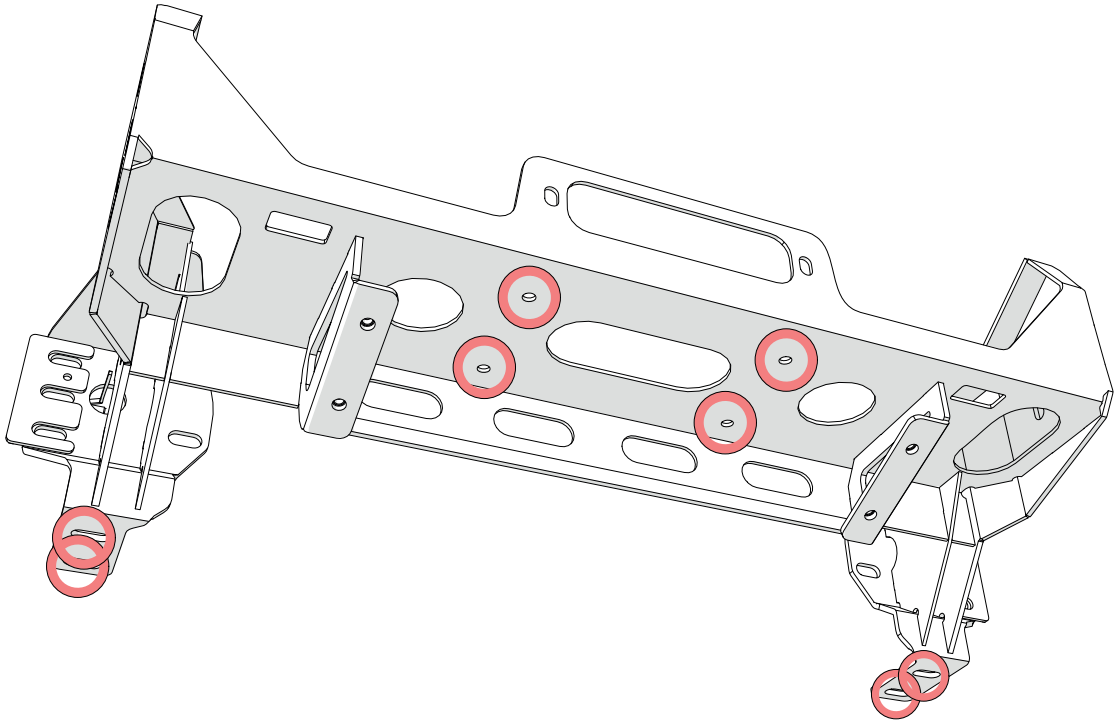


Finally, take on **Nut Plate M12(7)** and fit it connecting the **Left Winch Reinforcement(8)** to the **Chassis**.

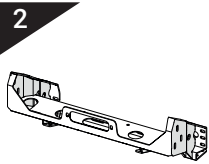
Repeat on the other side for **Right Winch Reinforcement(9)**.

Just finger tight all bolts
Do Not tighten yet.

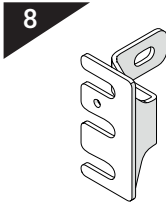
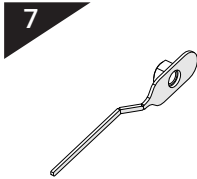




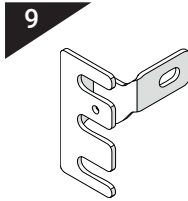
Parts needed:



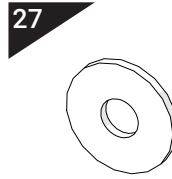
x1 Winch Bracket LC 200 2018 **x2** Nut Plate M12



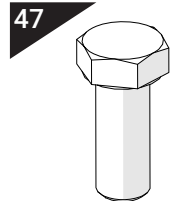
x1 Winch Reinforcement Left Side



x1 Winch Reinforcement Right Side



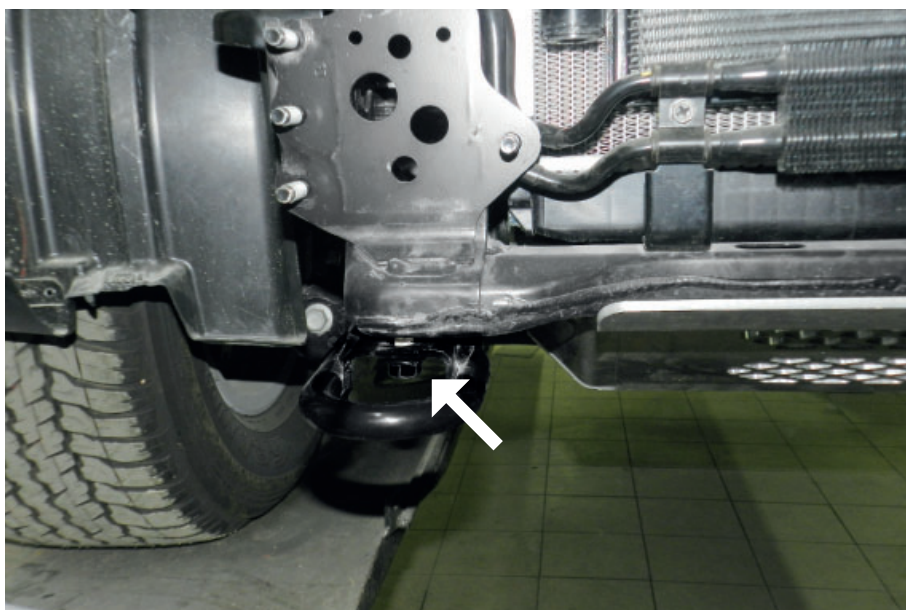
x2 Washer M12



x2 Bolt M12x30

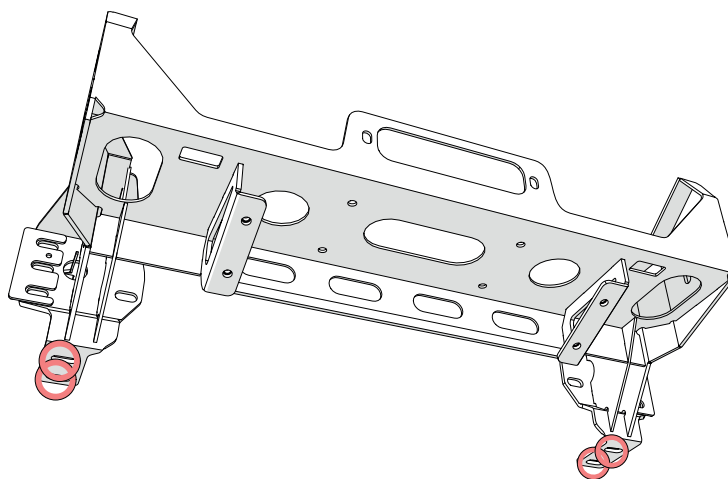
Step 12 - Fitting the AFN Winch Bracket and Winch on Chassis**Installation**

Remove both *OEM** Recovery Points, save the bolts, you'll need them next step.



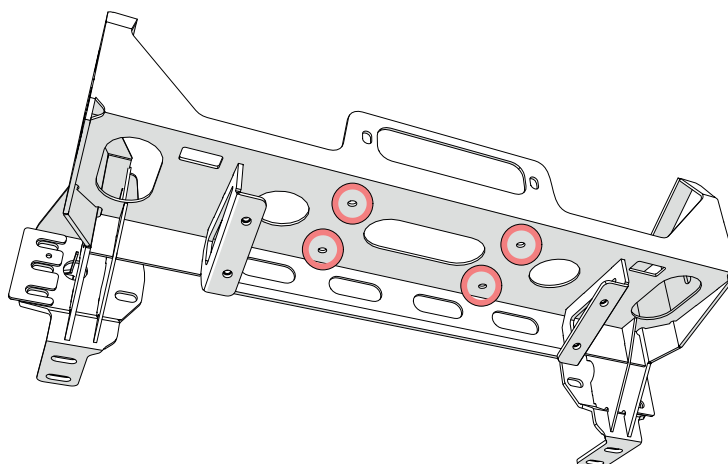
Then, fit the bottom of the **Winch Bracket(2)** in the vehicle using the *OEM** Bolts, previously unscrewed.

Just finger tight all bolts
Do Not tighten yet.



if you have a winch to be mounted, now is the time to do it.

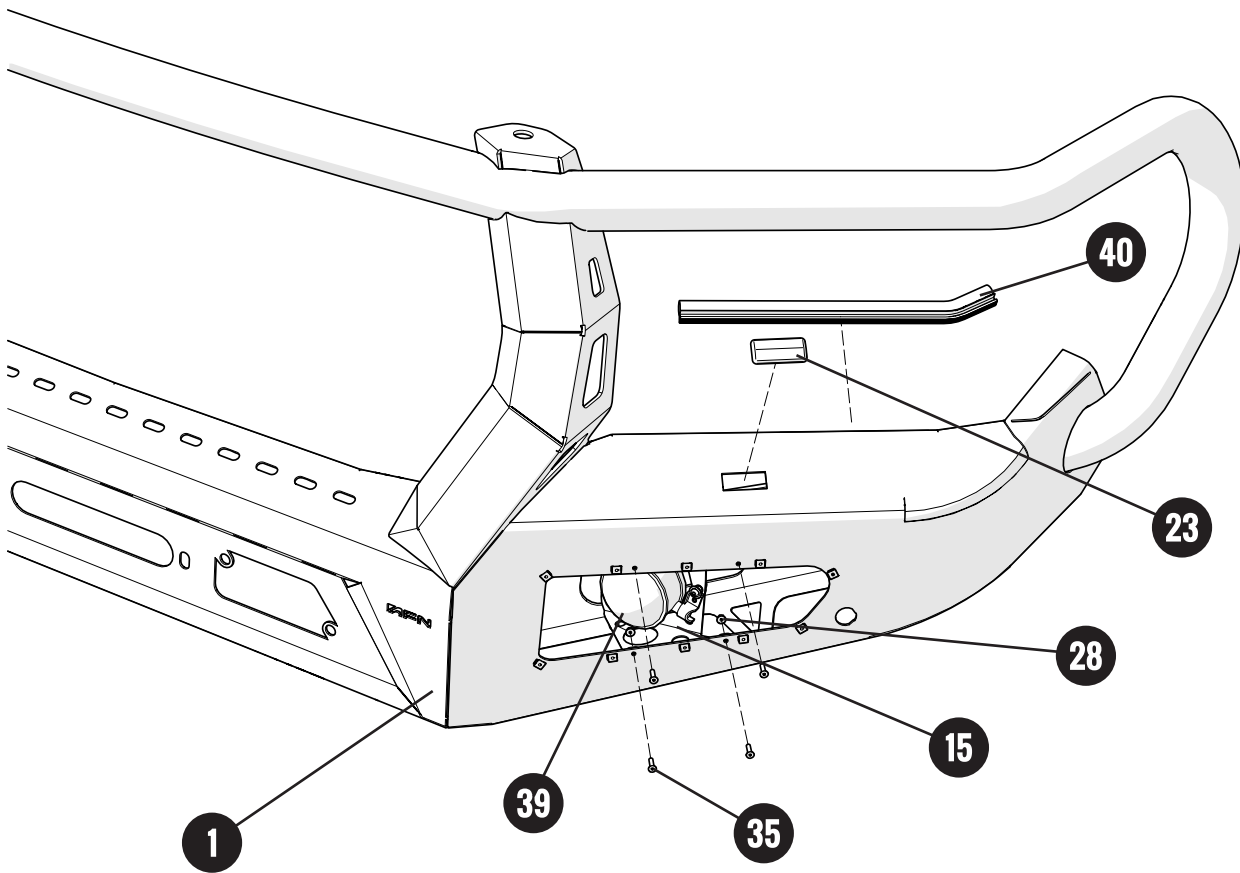
Use the *OEM** Winch bolts in the highlighted areas.



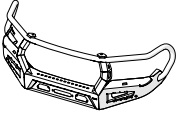
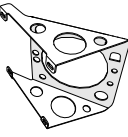
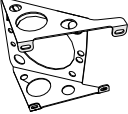

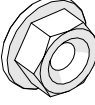
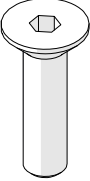
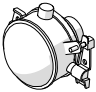
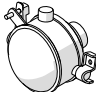

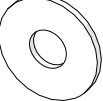
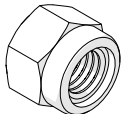
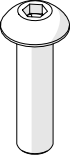
Once everything is correctly fitted,
Give the final torque on all bolts.

Step 13 - Preparation of the AFN Bullbar | Front Bumper

Preview



Parts needed:

- | | | | | | |
|--|--|--|--|--|--|
| 1
 | 14
 | 15
 | 23
 | 28
 | 35
 |
| x1 Bullbar LC200 2018 | x1 Aluminium Bracket Right Side | x1 Aluminium Bracket Left Side | x1 Headlight Washer Cap LC200 2018 | x8 Flange Nut M4 | x8 Bolt M4x16 |
| 38
 | 39
 | 40
 | 42
 | 43
 | 44
 |
| x1 Fog Light Right Side | x1 Fog Light Left Side | x3 Rubbers Side - 775mm / Front - 1030mm | x8 Washer M5 | x8 Nylock Nut M5 | x4 Bolt M5x20 |

Step 13 - Preparation of the AFN Bullbar | Front Bumper

Installation

ATTENTION!

The following step **only applies if the AFN LED Lights are not mounted**, or if by any case there is a need to **dismount it. Proceed to next Step.**

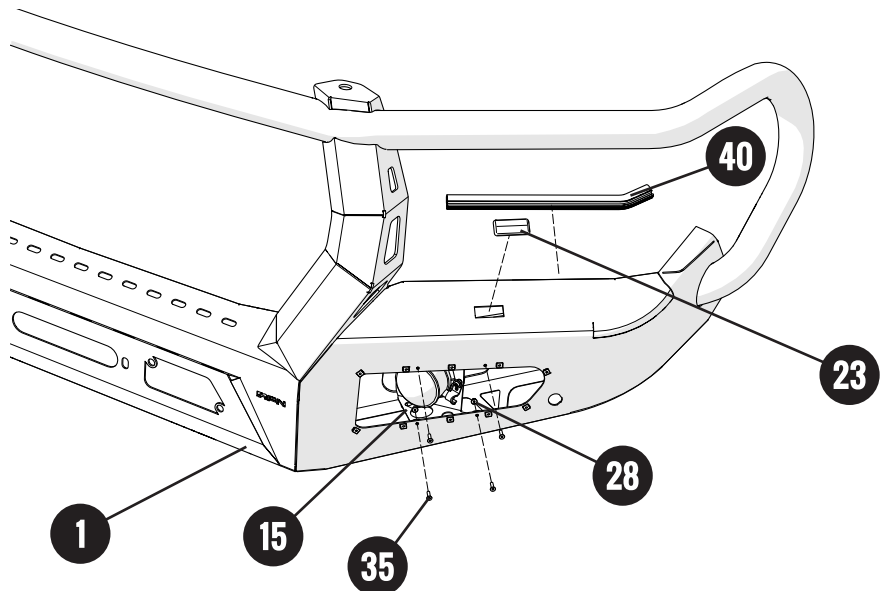
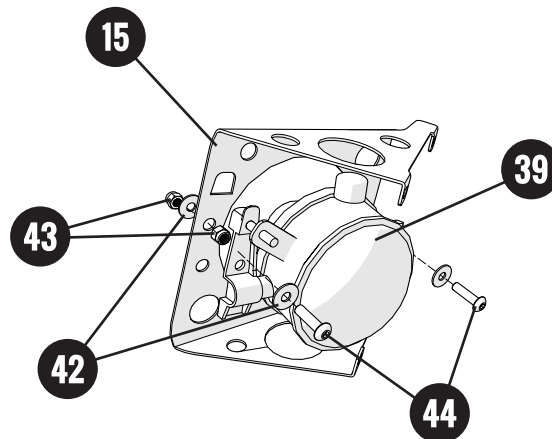
Before inserting the **AFN Bullbar | Front Bumper(1)** on the vehicle there are some details that we advise to do first (so, place it on a flat working surface).

Take on **Left Fog Light(39)** and fit it into the **Left Aluminium Bracket(15)**.

Use 2x Bolts M5x20(**44**) with 4x Washers M5(**42**) and 4x Nylock Nuts M5(**43**). Please check the illustration to correct fit this part.

Then, fit **Right Aluminium Bracket(15)** in the **AFN Bullbar | Front Bumper(1)** using 4x M4x16(**35**) and 4x Flange Nut M4(**28**).

Finally, fit all the Rubbers(**40**) supplied and fit the Plastic Cap**(**23**).



ATTENTION!

If you have to fit the OEM* **headlight washer spray nozzle do not fit the **supplied Plastic Caps (23)**, use the OEM* ones.

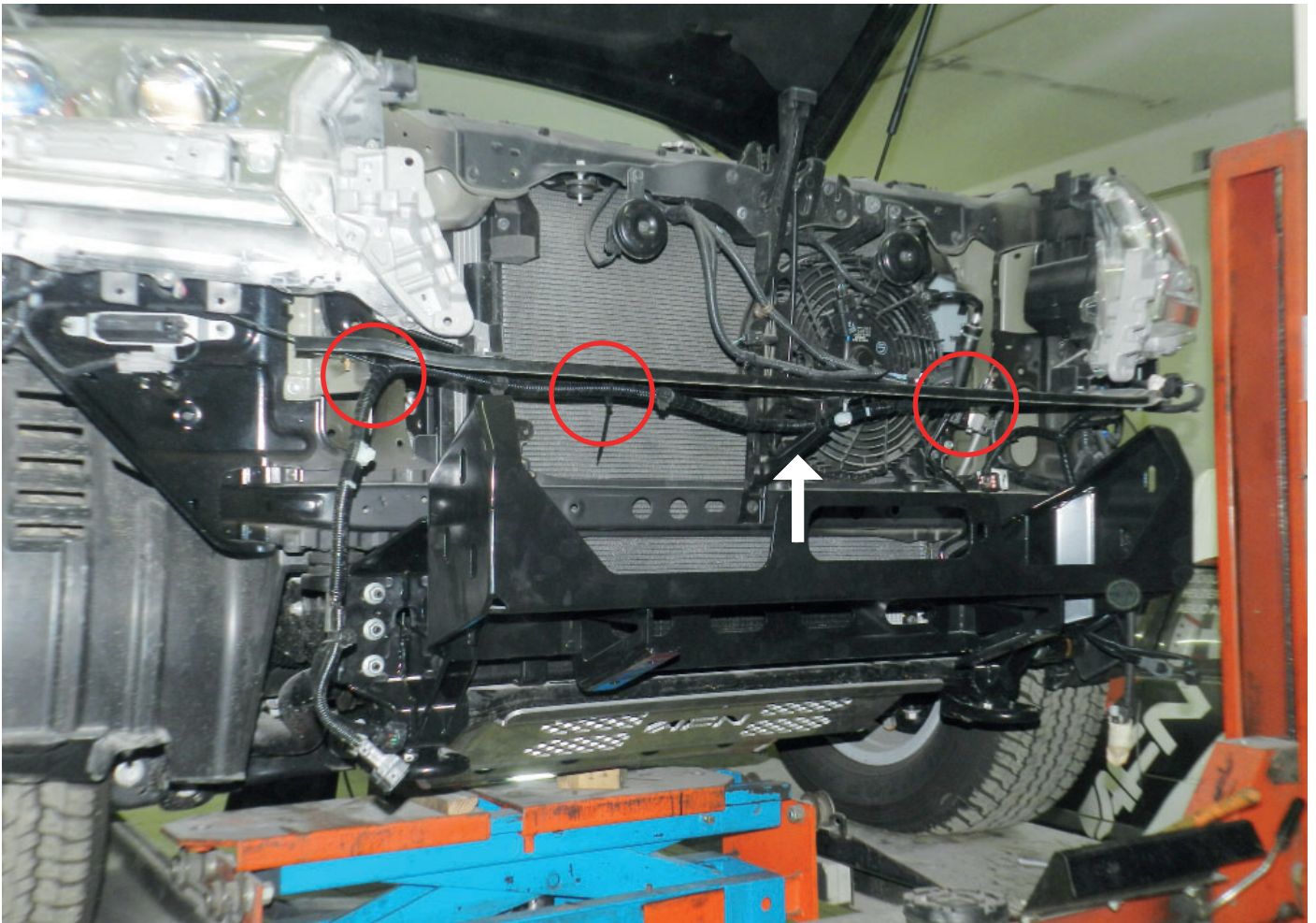
Repeat this step for the other side with **Right Fog Light(38)** and fit it into the **Right Aluminium Bracket(14)**.



*OEM - Original Equipment Manufacturer

Step 13 - Fitting the Electrical Wiring and Headlight Washer cables

Preview



Parts needed:

49



x6 Ziptie

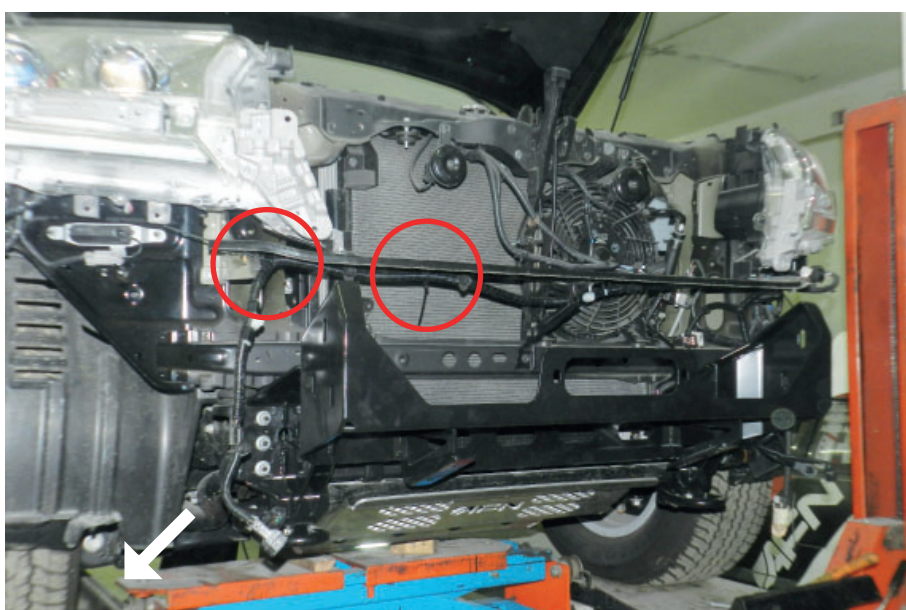
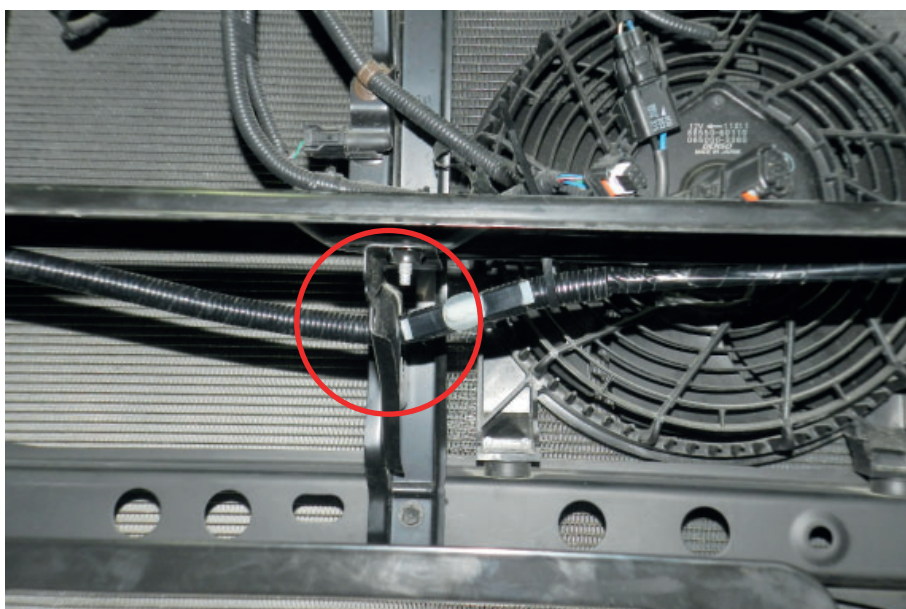
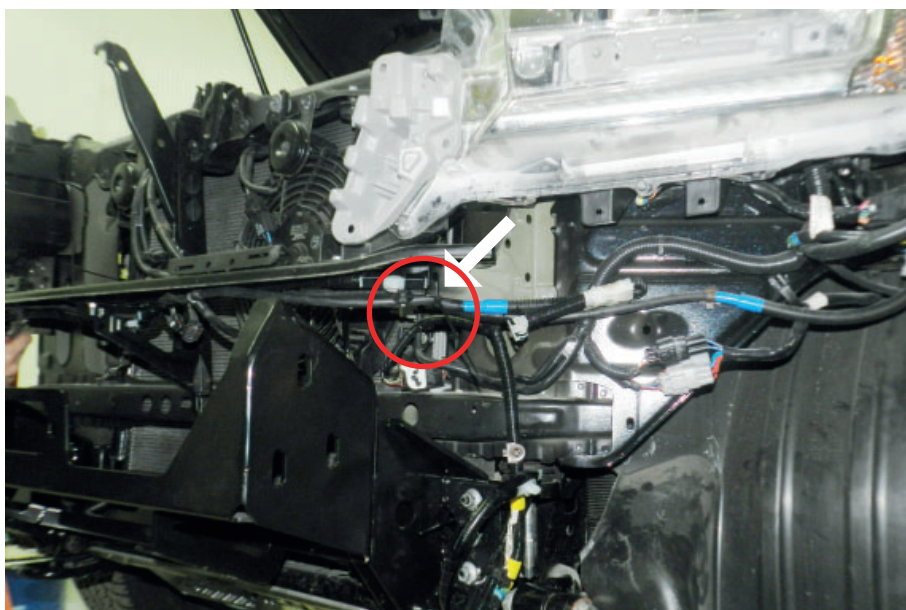
Step 13 - Fitting the Electrical Wiring and Headlight Washer cables

Installation

Once that is done, take on the all the **Electrical wiring** and **Headlights Washer cable** in the bumper, previously removed and fit it again in the vehicle.

Use the supplied Zipties(49) to hold the **Electrical wiring** and **Headlights Washer cable** to **Winch Bracket(2)**.

All **Electrical wiring** and **Headlights Washer cable** should pass through the the middle of the **OEM*** part, as in the picture on the right.



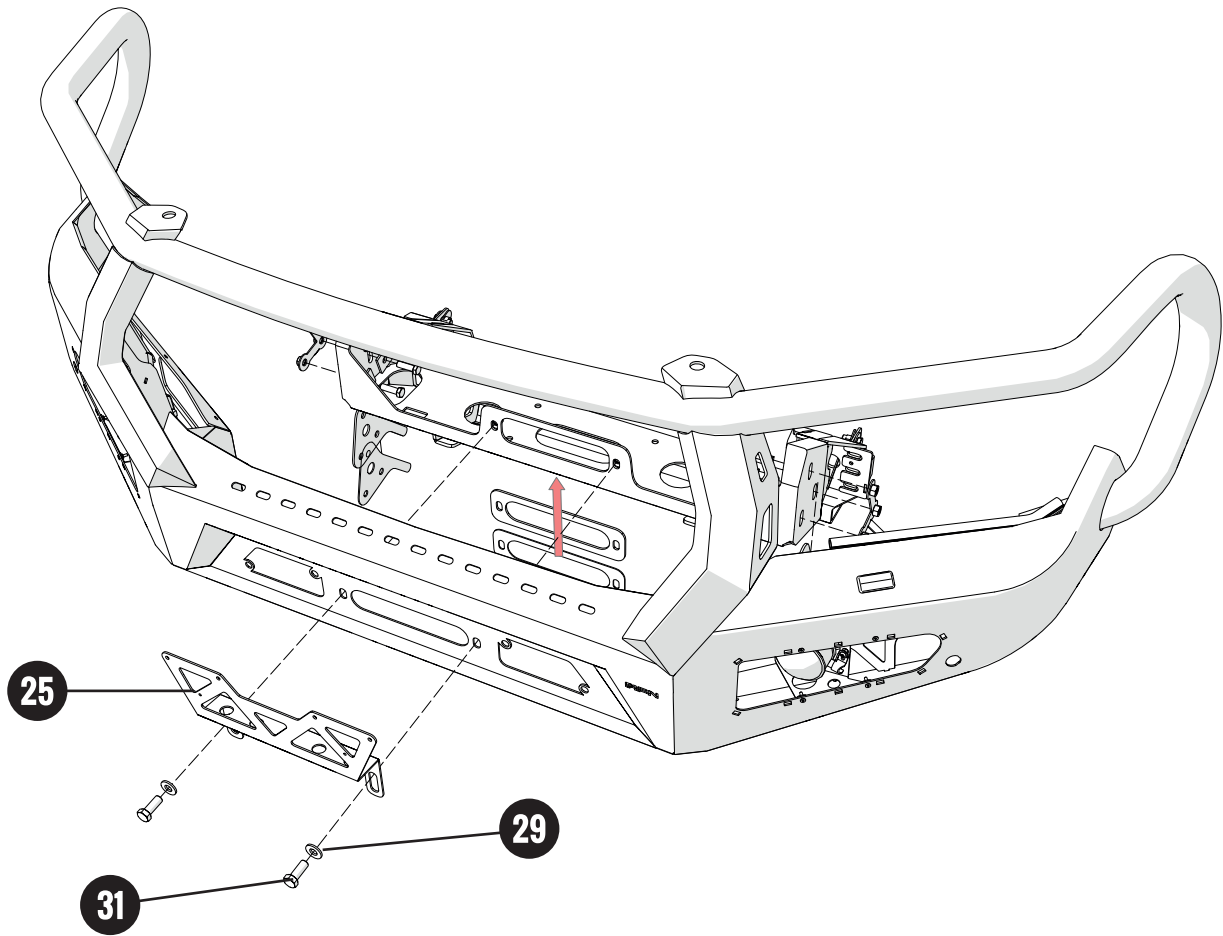
Tip1:
For a cleaner job, cut the excess of the Zipties(49).

Tip2:
Do not crush the cable with excess force.

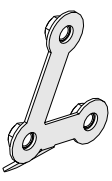
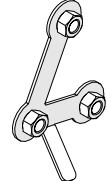
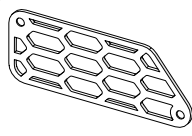
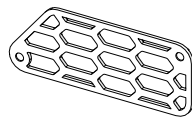
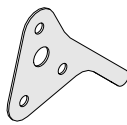
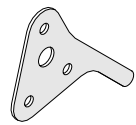
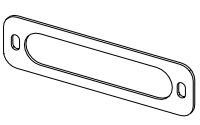
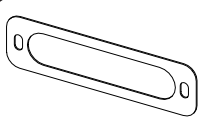
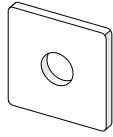
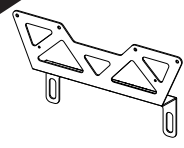
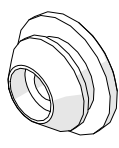
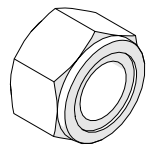
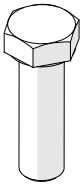
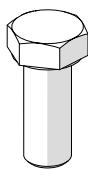
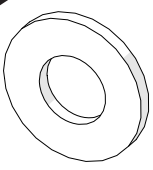
*OEM - Original Equipment Manufacturer

Step 14 - Fitting the AFN Bullbar | Front Bumper on Winch Bracket

Preview



Parts needed:

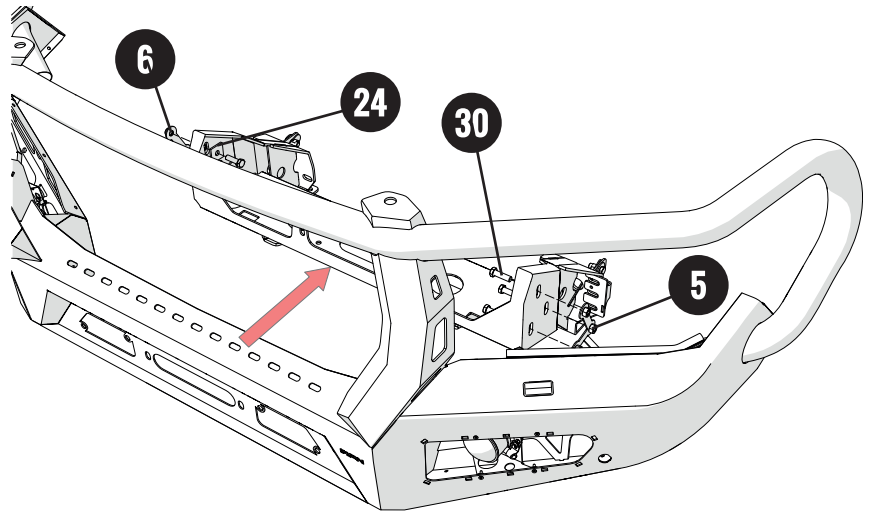
- | | | | | | |
|--|--|--|---|--|--|
| 5
 | 6
 | 10
 | 11
 | 16
 | 17
 |
| x1 Triple Nut Plate M12 Right Side | x1 Triple Nut Plate M12 Left Side | x2 Bumper Grill Right Side | x6 Bumper Grill Left Side | x2 Side Winch Bracket Shim 2mm thickness | x2 Side Winch Bracket Shim 4mm thickness |
| 18
 | 19
 | 24
 | 25
 | 26
 | 29
 |
| x2 Front Winch Bracket Shim 4mm thickness | x1 Front Winch Bracket Shim 2mm thickness | x6 Square Washer M12 | x8 Plate Bracket | x4 Rubber Nut | x2 Nylock Nut M12 |
| 30
 | 31
 | 34
 | | | |
| x6 Bolt M12x40 | x2 Bolt M12x30 | x4 Washer M12 | | | |

Step 14 - Fitting the AFN Bullbar | Front Bumper on Winch Bracket

Installation

With help of another person or a crane, lift the **AFN Bullbar | Bumper(1)** and place it over the **Winch Bracket(2)**, as showed in the image above.

Use 6x Bolts M12x40(30), with 6x Square Washers M12(24) and both Triple Nut Plates M12(5) and (6).



Just finger tight all bolts

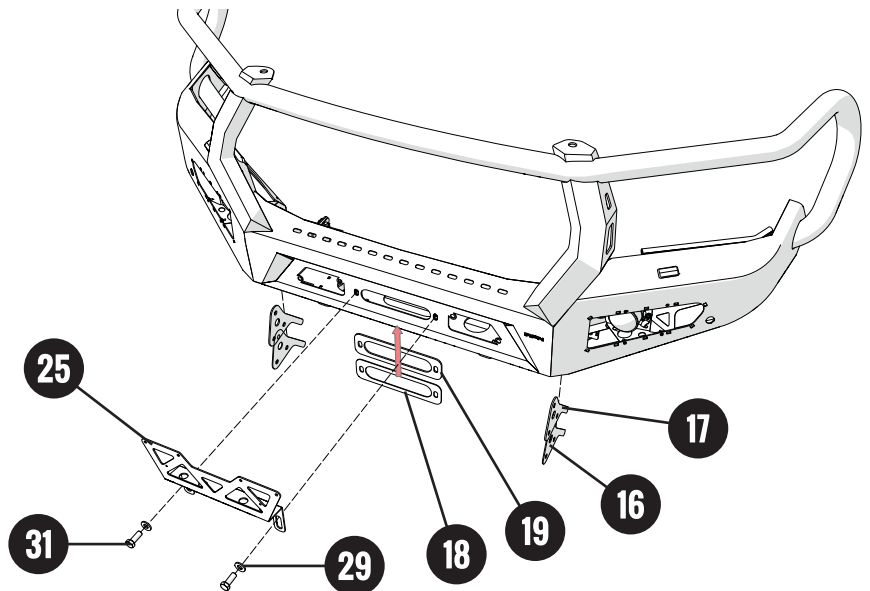
Do Not tighten yet.

ATTENTION!

When everything is correctly fitted, please check and use, if needed, the supplied shims with **2mm thickness(14)** and **4mm thickness(15)**, to adjust the best way the **Winch Bracket(2)** to the body and **Chassis**.

Side - **2mm thickness(16)** / **4mm thickness(17)**;

Front - **2mm thickness(19)** / **4mm thickness(18)**



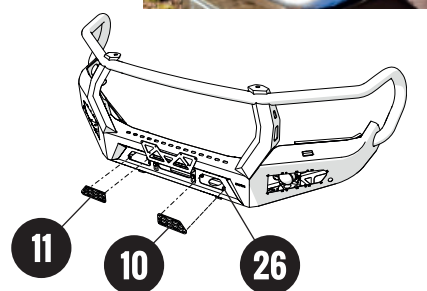
Mind that this is a precision task, please take time to correctly assemble this step.

Use them only if you have to, they are optional and may not be needed.

Once everything is correctly fitted, **Give the final torque on all bolts.**

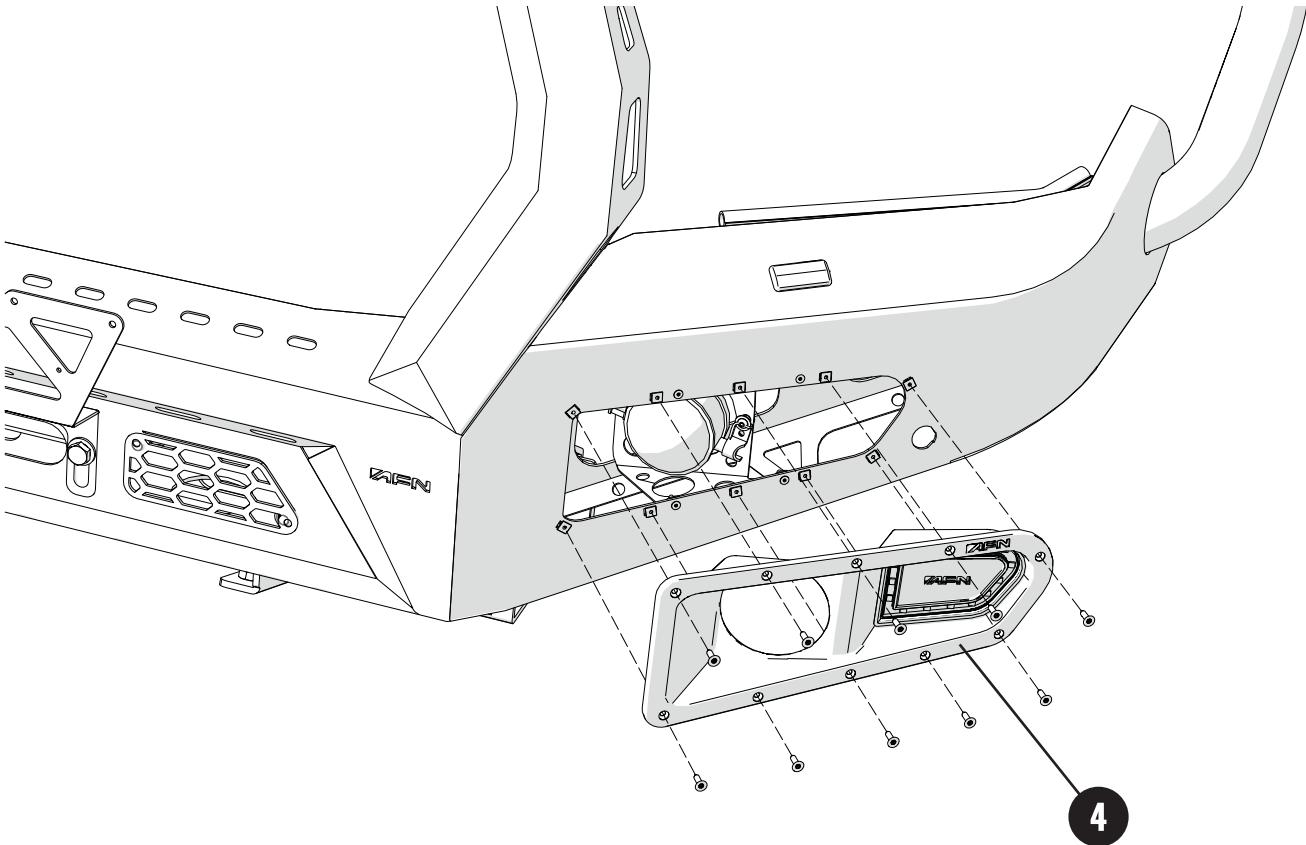
Check the image on the right to see that the **AFN Bullbar | Bumper(1)** must have an equal gap (**10-15 mm**) on both sides.

Finally, fit the 4x Rubbers(26) of both Bumper Grills(10) and (11).



Step 15 - Fitting the AFN Led Lights in the AFN Bullbar | Bumper

Preview

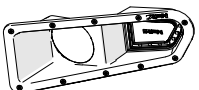
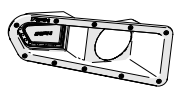


3

Parts needed:

3

4



x1 Kit Fog Lights
Left Side

x1 Kit Fog Lights
Right Side

Step 15 - Fitting the AFN Led Lights in the AFN Bullbar | Bumper

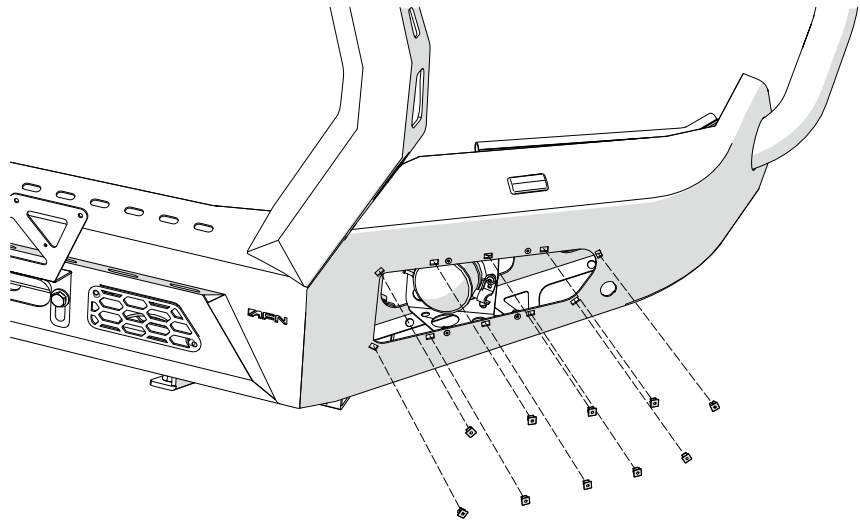
Installation

Once the **AFN Bullbar | Bumper(1)** is in place, it's time to fit the **AFN Led Lights**.

But first we advise to fit 10x Cage Nuts **M6**.

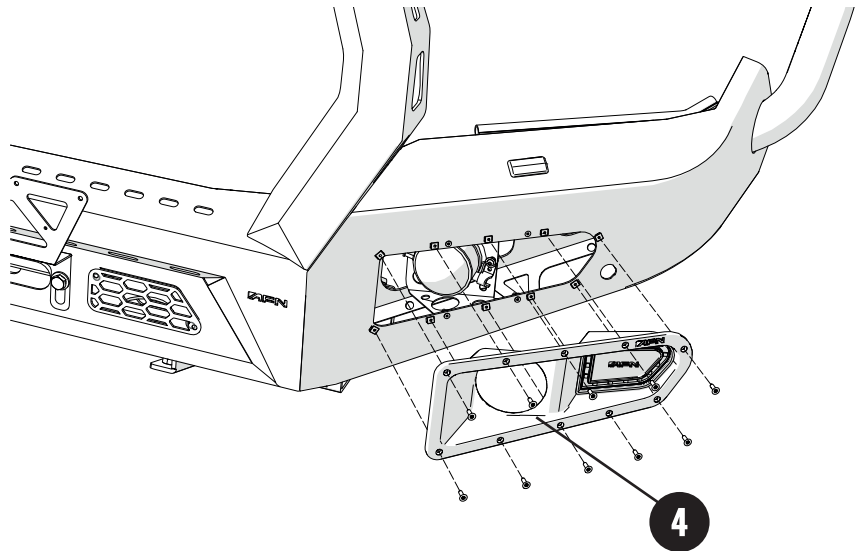
Tip1:

You may use a rubber mallet to easily fit the 10x Plastic Nuts.



Take on the Right Kit Fog Lights(4) and fit it into the **AFN Bullbar | Front Bumper(1)** using 10x Bolts M4x16 (They go with AFN LED Light kit).

Please be in mind that there is no need to overtight these bolts, because the rubber masks will be crushed causing an unpleasant look.

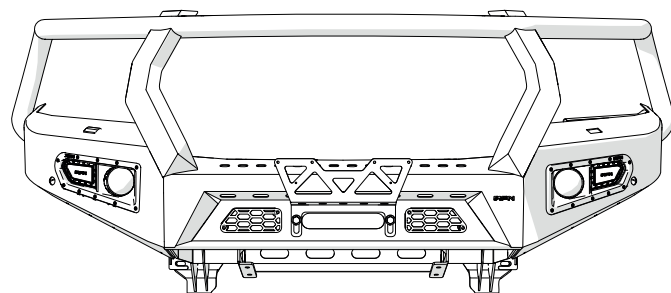


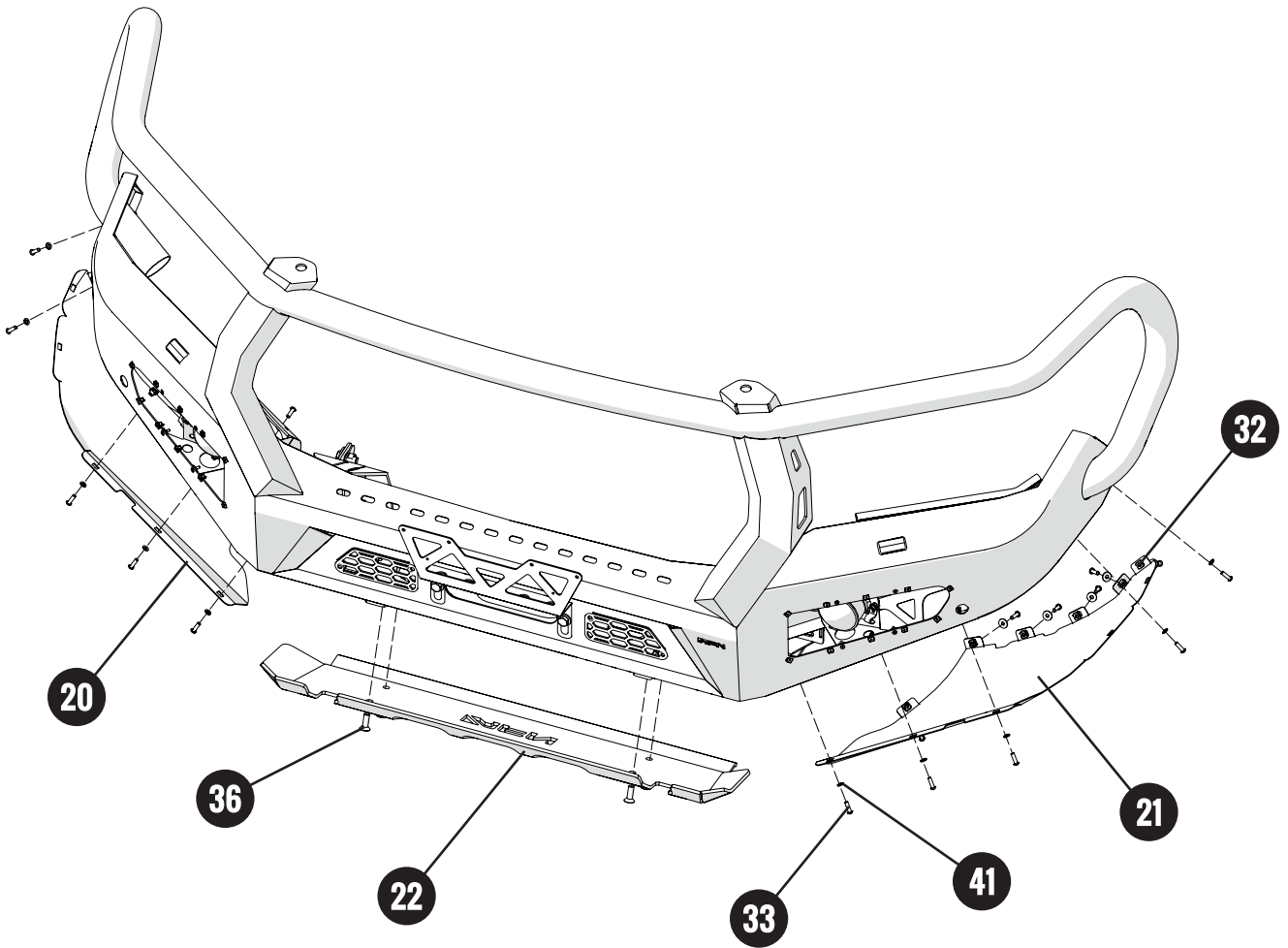
Repeat this step for the other side with Left AFN Led Lights Mask(3) using 10x Bolts M4x16.

If you done it correctly it should look like the image on the right.

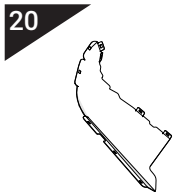
Do the all the electrical wiring relative to the **lights** and also do the **Headlights Washer cable** and **Parking Sensores**.

We **advise to check** if the lights, parking sensores and Headlight Washer **are operating smoothly, before proceeding.**

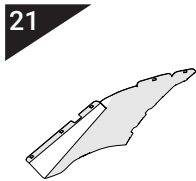




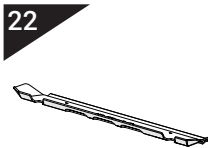
Parts needed:



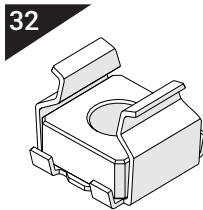
x1 Left Flap



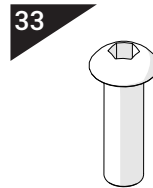
x1 Right Flap



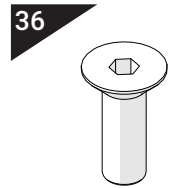
x1 Front Skid Plate



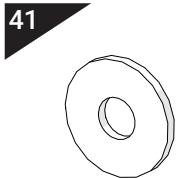
x20 Cage Nut M6



x20 Bolt M6x20



x4 Bolt M10x30



x10 Washer M6

Step 16 - Fitting the Flaps and Front Skid Plate in the AFN Bullbar | Bumper

Installation

Take on **Right Flap(21)** and fit it the **AFN Bullbar | Front Bumper(1)**.

But first we advise to fit 10x Cage Nuts M6(**32**).

Tip1:

You may use a screwdriver to easily fit the 20x Cage Nuts(**32**).

Once that is done fit the top of the **Right Flap(21)** in the **AFN Bullbar | Front Bumper(1)**.

Use 5x Bolts M6x20(**33**), with 5x Washers M6(**41**).

Push the **Right Flap(21)** to the *OEM** plastic fenders and mark the cut line, then cut *OEM** plastic fender.

Mark a hole on the inner side of wheel fender.

Drill a **7mm** diameter hole and fix the flaps through these holes using 6x Bolts M6x20(**33**) with 6x Washers M6(**41**).

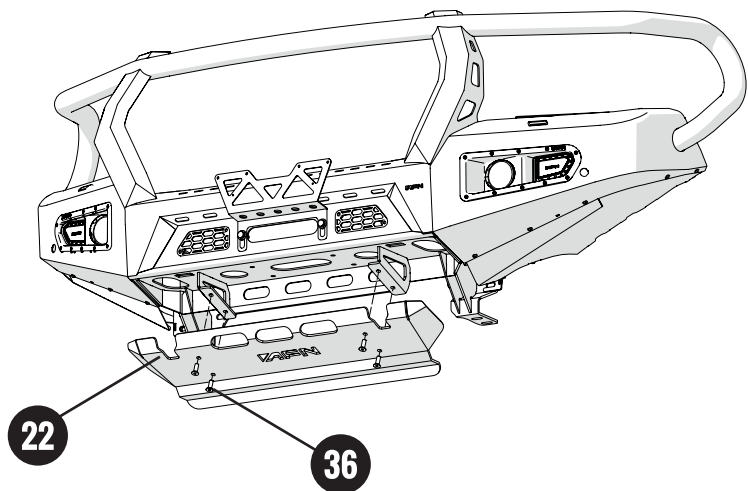
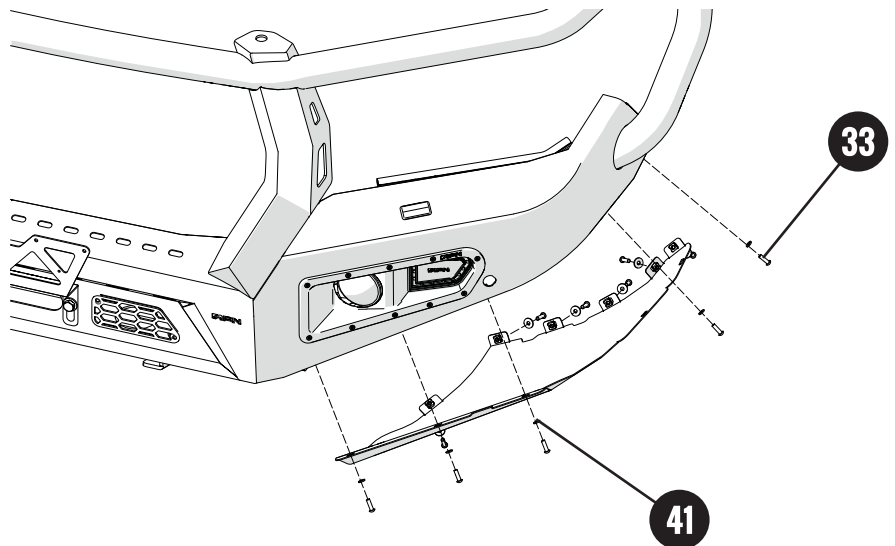
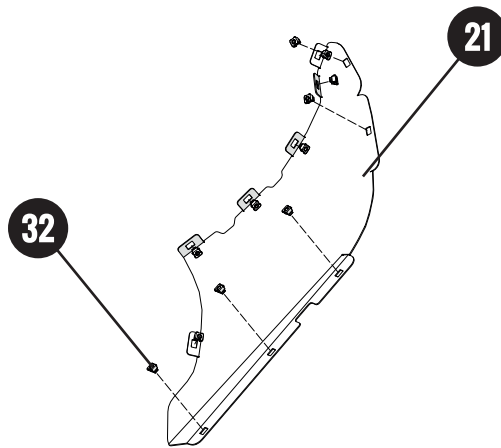
Repeat all these steps on the other side for the **Left Flap(20)**.

Give the final torque.

Finally, take on **Front Skid Plate(22)** and fit it beneath **AFN Bullbar | Front Bumper(1)**.

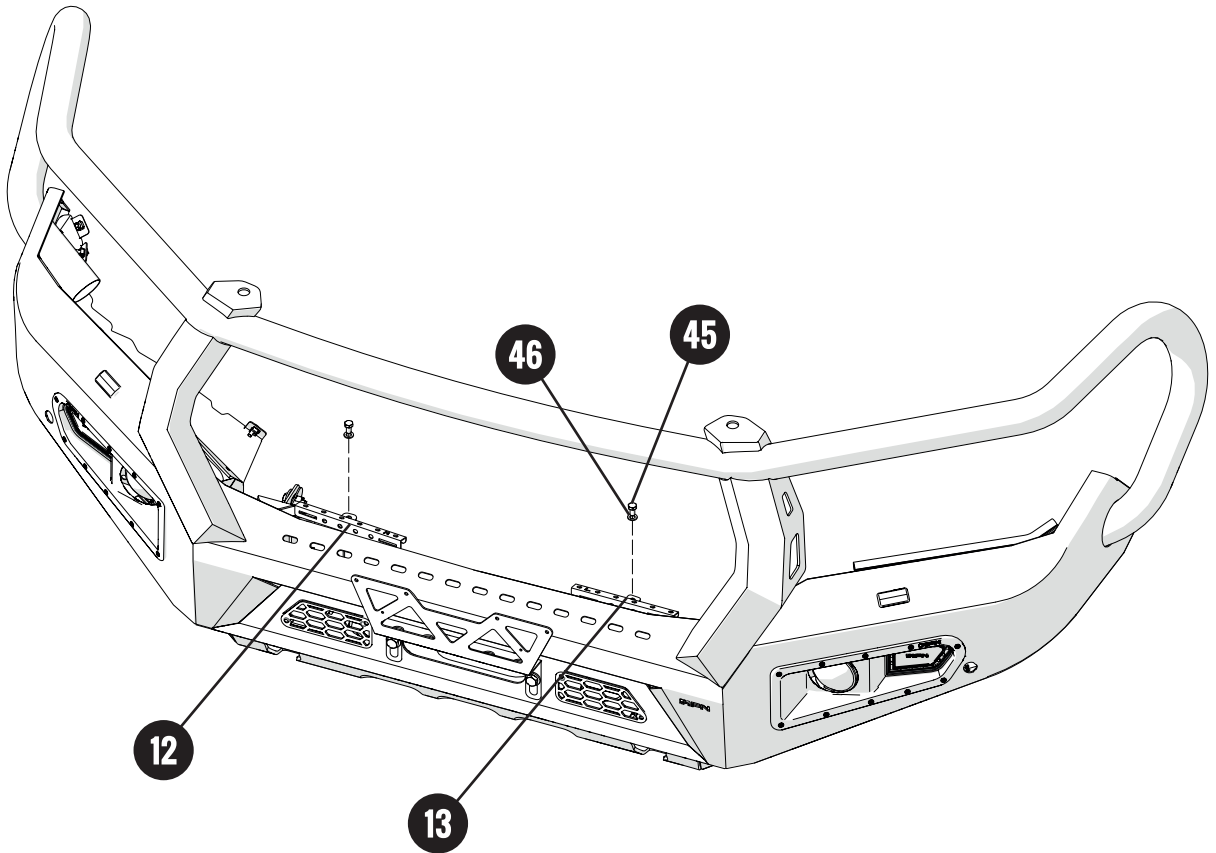
Use 4x Bolts M10x25(**36**).

Give the final torque.

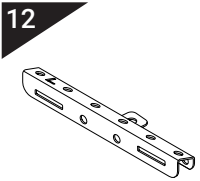


Step 17 - Fitting the OEM* Grill with Brackets

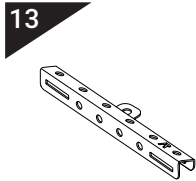
Preview



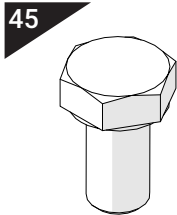
Parts needed:



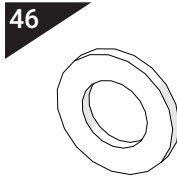
x1 Grill Bracket
Left Side



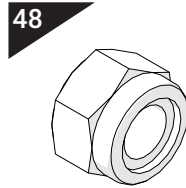
x1 Grill Bracket
Right Side



x1 Bolt M8x15



x20 Washer M8

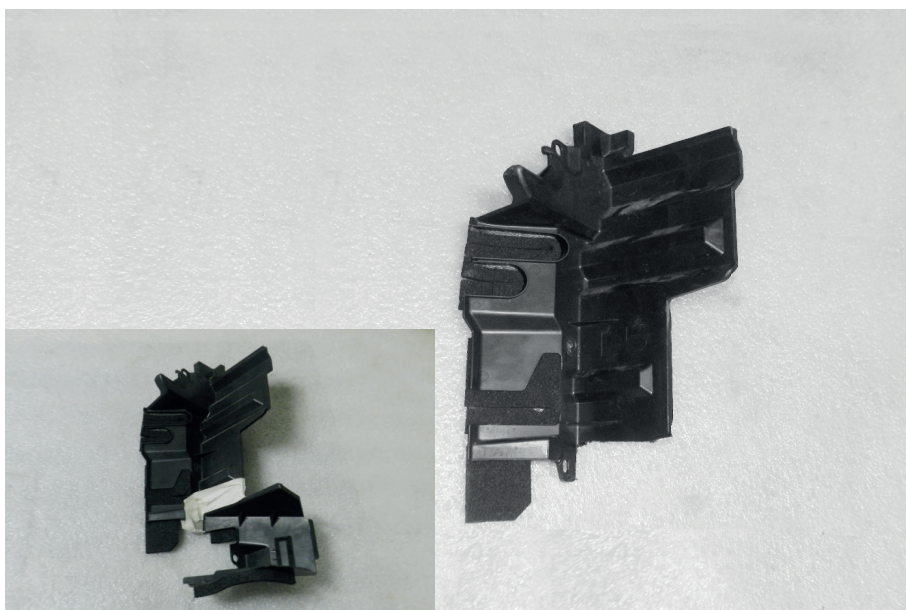


x20 Nylock Nut M8

Step 17 - Fitting the OEM* Grill with Brackets**Installation**

Before fitting the OEM* Grill, take on both OEM* **Plastic Parts** (you can find them in the both sides of the Grill area), and cut them as shown.

Then, fit it back using the OEM* Bolts.



Then, take on both **Grill Bracket(12)** and **Grill Bracket(13)** and fit them in the **vehicle**.

Use 2x Bolts M8x15(**45**) with 4x Washers M8(**46**) and 2x Nylock Nuts M8(**48**).

Just finger tight all bolts

Do Not tighten yet.

Then, take on OEM* Grill and fit as in the image on the right. The fasteners must enter both **Grill Brackets(12)** (**13**).

Mind that this is a precision task, please take time to not damage the OEM* Grill.

Once everything is correctly fitted,

Give the final torque.

Finally, take on OEM* Plastic Cover and fit it back again, using the OEM* Bolts. (see **Step1**)



Step 14

Your new **AFN BULLBAR | FRONT BUMPER** is now installed on your **Toyota LAND CRUISER 200!**

Have Fun!



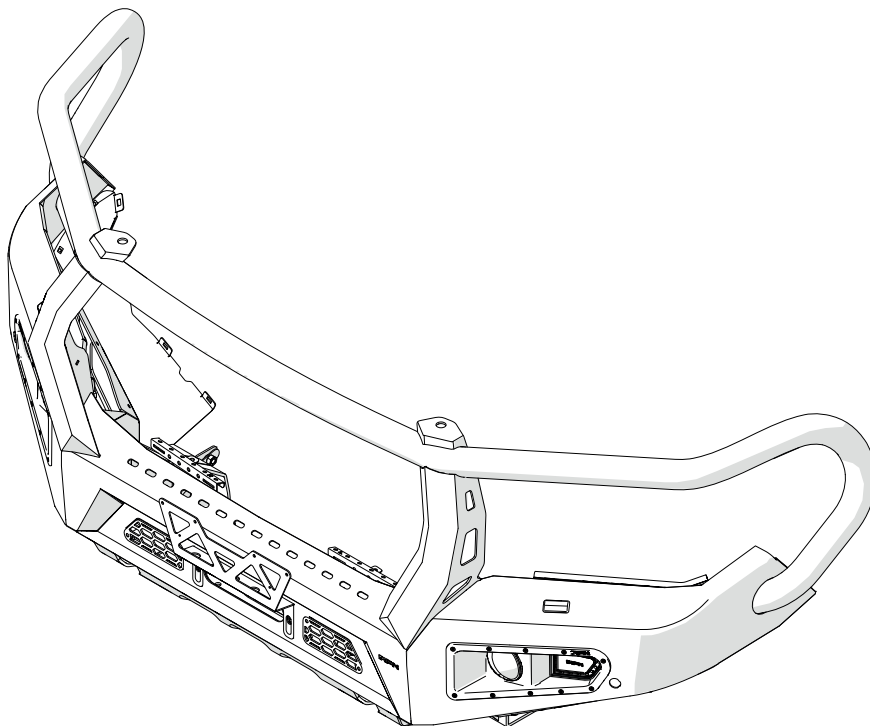
Reminder !

Before operating a vehicle fitted with an **AFN Bullbar | Front Bumper**:

- Make sure all fittings are tightened
- Check winch operation (if installed)
- Check all electrical wiring attached to lights and parking sensors (if installed)

Maintenance | Care

Periodically check and tighten all nuts. Stripped, fractured or bent bolts or nuts need to be replaced.





3 LC 200 CATALOGUE

AFN 4x4 Accessories is becoming a well known brand for its products due to its quality, design and safety which are challenged for thousands of people everyday, worldwide.

In its diversity of products we can include, with all-terrain quality, protection, safety and aesthetic accessories. With that being said, **AFN 4x4** has some other accessories that every offroad passionate would like to have, such as **Body Protections, Underbody Protections, Light Holders, Storage** (Wheel Supports and Jerry-can carriers) and others related to the **Aesthetics**.

We have some 4x4 accessories that combine with the original model lines that if you take a closer look you will see that they don't appear to be an accessorie, but a must-have.

Please be in mind that some accessories are available only to some models.
 Feel free to check all the products that may interest you in our website at: www.afn.pt



Ref.: 48002603 - Front Bumper



Ref.: 48002602 - Bullbar with fog lights



Ref.: 48002641 - Side Steps



Ref.: 48001194 - Front Skid Plate (*Al)



Ref.: 48001196 - Gearbox Skid Plate (*Al)



Ref.: 48001917 - Fuel Tank Skid Plate (*Al)

*Al - Aluminium

4 WARRANTY TERMS

AFN4x4 products are warranted free from defects in materials and workmanship for a period of two (2) years from the date of initial retail purchase. Third-party components are delivered under the original manufacturer warranty.

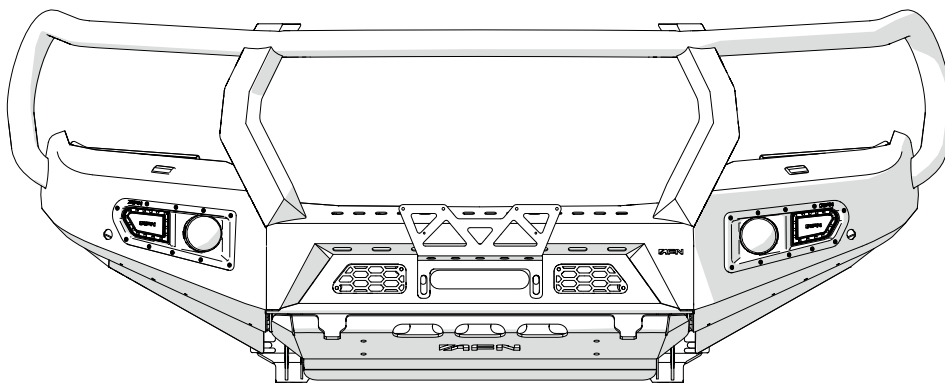
Under the present warranty, **AFN4x4** obligation shall be limited to repairing, replacing or crediting, at its option, any part found to be defective.

AFN4x4 does not warrant or make any representations concerning its goods when:

- a) The products are purchased used, scratch and dent or when the box was opened.
- b) The products are not installed, used, and maintained strictly in accordance with **AFN4x4**'s instructions.
- c) The products are installed in vehicles that are used in competition.
- d) The products are installed in vehicles fitted with aftermarket non-standard tires with diameters in excess of OEM* specifications.
- e) The products are installed in vehicles with engines that have been modified to increase performance.

AFN4x4 will not be responsible for goods damaged in transit. If any goods arrive damaged, please contact the **AFN4x4** as soon as possible. **AFN4x4** will assess and may arrange to have the damaged goods returned to a **AFN4x4** Distributor and arrange for a replacement of the goods. Damaged goods must be returned in the condition received by you with all original packaging, accessories and/or manuals. If they are not returned in same condition sent there may be an additional fee charged.

To file a claim under this warranty please contact **AFN4x4** at +351 256 808 300 or via email at geral@afn.pt to request a *Returned Goods Authorization (RGA)* number and instructions for returning the defective component.





5 AFN 4x4 PARTNERS



01

Portugal

Rua da Madeira, 113
Z. Industrial das Travessas
3700-176 S. João da Madeira

T:(00351) 256 838 300/7
geral@afn.com
www.afn.com

02

Espanha

Carretera de Moledo 8
pol. ind. de Miraflores, Nave 20
36214, Vigo (Pontevedra)

T:(0034) 986 378338
info@4x4misutonida.com
www.4x4misutonida.com

03

Austrália

19 Flinders Parade
North lakes
QLD 4509

T:(0061) 1300 236 494
sales@afn4x4.com.au
www.afn4x4.com.au

04

Costa Rica

Fort overlanding CR,
Alajuela

T:(0011) 506 8430 0211
info@fortoverlanding.com
www.fortoverlanding.com

DON'T JUST SETTLE FOR THE SAME OLD BULL



WWW.AFN.PT | SALES@AFN.PT | FACEBOOK.COM/AFN4X4

WELCOME TO THE AFN FAMILY



União Europeia

Fundo Europeu de
Desenvolvimento Regional

