

FITTING INSTRUCTIONS

WARNING:

Before you begin installation, read all instructions thoroughly.
Proper tools will improve the quality of installation and reduce the time required.

- This product should be installed as demonstrated in the *Product «Fitting Instructions»*;
- The specified parts, will only fit the models specified by **AFN**;
- Do not modify any component of the product;
- It is recommended that this product is installed by specialized and trained personnel;
- AFN doesn't take responsibility for changes made in the vehicle by its manufacturer;
- Work safely and use specialized tools at all times;
- **Always use protective gear.**

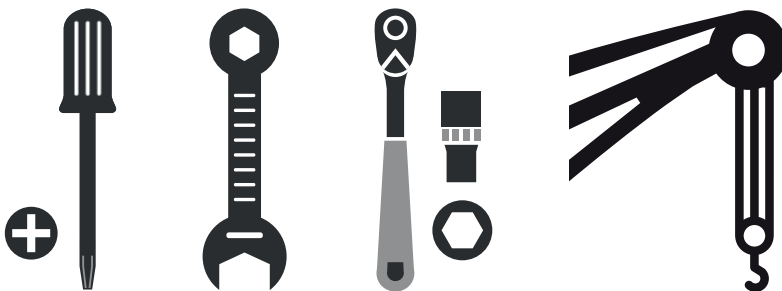


Size	Torque Nm	Torque lbft
M6	9 Nm	7 lbft
M8	22 Nm	16 lbft
M10	44 Nm	32 lbft
M12	77 Nm	57 lbft

Mouting Time

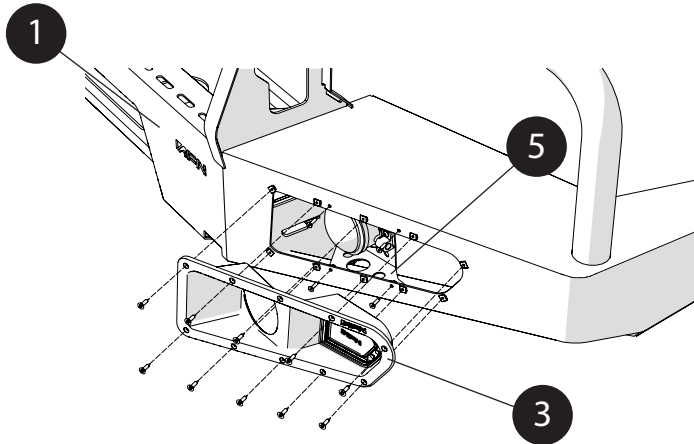
- 2 hours
- 1 persons (recommended)

Tools Required



- Screwdriver star head
- Wrench
- Ratchet wrench
- Crane

STEP1 - FITTING AFN LED LIGHTS



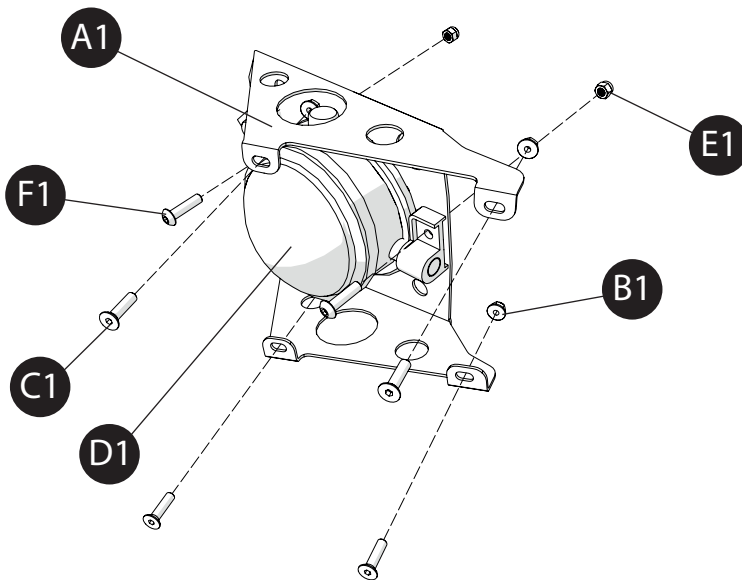
NUMBER	REF	QUANTITY
1	47002155	1x
2	48002545	1x
3	48002544	1x
4	47002157	1x
5	47002156	1x

Fit the AFN Led Lights on AFN Bullbar.

Use supplied Bolts with 4x Washers M12(10).

Do not tighten yet.

STEP1.1 - ALUMINIUM BRACKETS



47002156

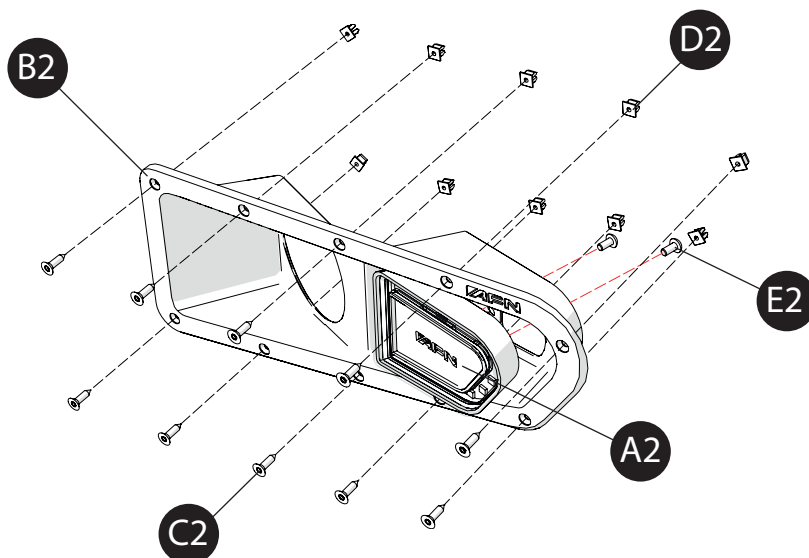
NUMBER	REF	QUANTITY
A1	46008279	1x
B1	45001166	4x
C1	45000982	4x
D1	45000896	1x
E1	45000402	2x
F1	45000383	2x

Fit Fog Light(D1) in the Aluminium Bracket(A1) using 2x Bolts M5x20(F1) with 2x Nylock Nuts M5(E1).

Then, fit the Aluminium Bracket(A1) in the AFN Bullbar.

Use 4x Bolts M5x16(C1) with 4x Nylock Nuts M5(B1).

STEP1.2 - RUBBER MASKS WITH LED LIGHTS



48002545

NUMBER	REF	QUANTITY
A2	47002088	1x
B2	46007977	1x
C2	45001114	10x
D2	45001113	10x
E2	45000877	2x

Take on Led Light(A2) and fit it in the Rubber Mask(B2) using 2x Bolts M5x10(E2).

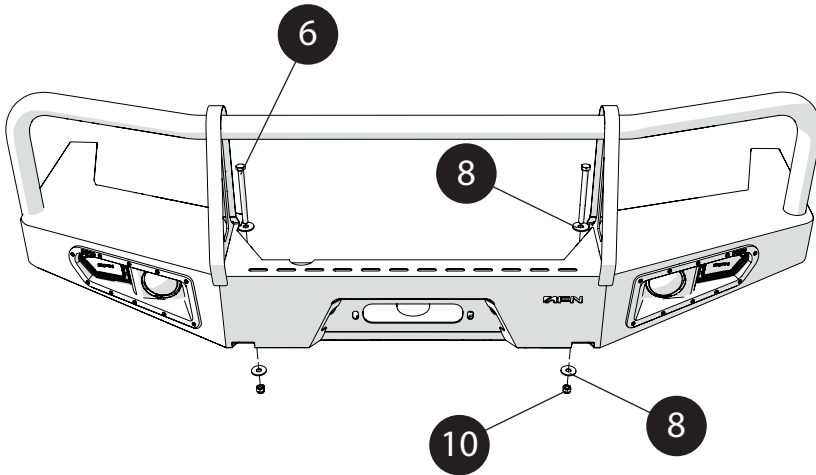
Once that is done fit the Rubber Mask assembled in the AFN Bullbar.

Use 10x Bolts M4x16(C2) with 10x Plastic Nuts M4(D2).

Please be in mind that there is no need to overtight these bolts, because the rubber masks will be crushed causing an unpleasant look.

STEP2 - FITTING AFN BUMPER IN WINCH BRACKET

NUMBER	REF	QUANTITY
6	45000277	2x
8	45000066	2x
10	45000036	4x



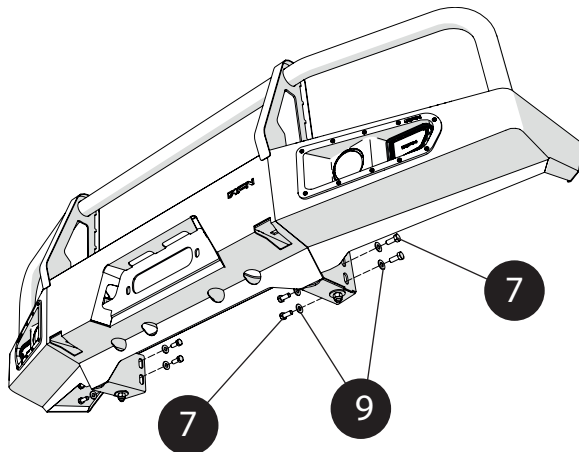
Fit the AFN Bullbar on the vehicle.

Use 2x Bolts M12x140(6) with 4x Washers M12(10) and 2x Nylock Nuts M12(8).

Do not tighten yet.

STEP3 - FITTING AFN BUMPER IN REINFORCEMENTS

NUMBER	REF	QUANTITY
7	45000247	8x
9	45000039	8x



Then, the bottom of the AFN Bullbar in the vehicle.

Use 2x Bolts M10x25(7) with 2x Washers M10(9).

Repeat this step on the inner side.

Adjust the Bumper the best way, must have an equal gap(10-15 mm) on both sides.

Once everything is in place,
Give the Final torque.