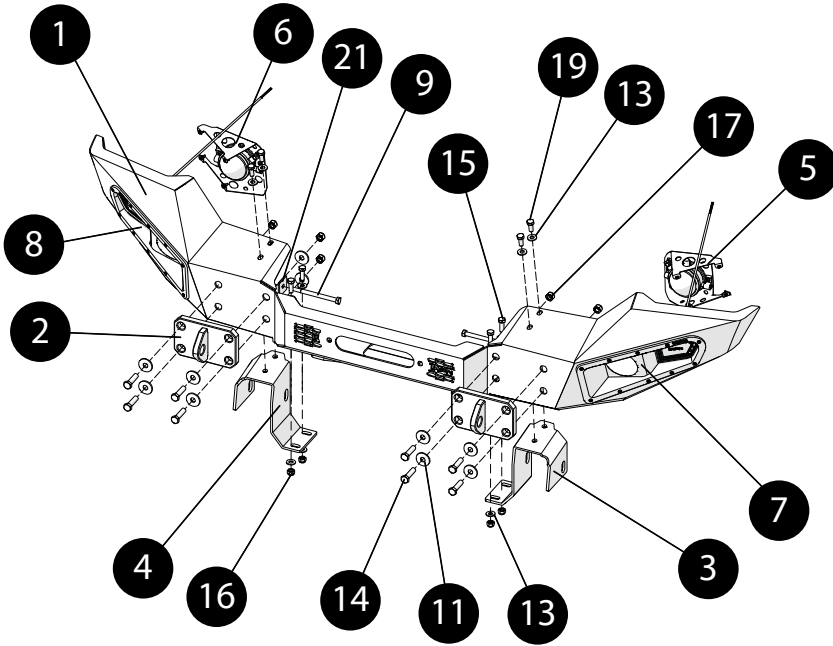


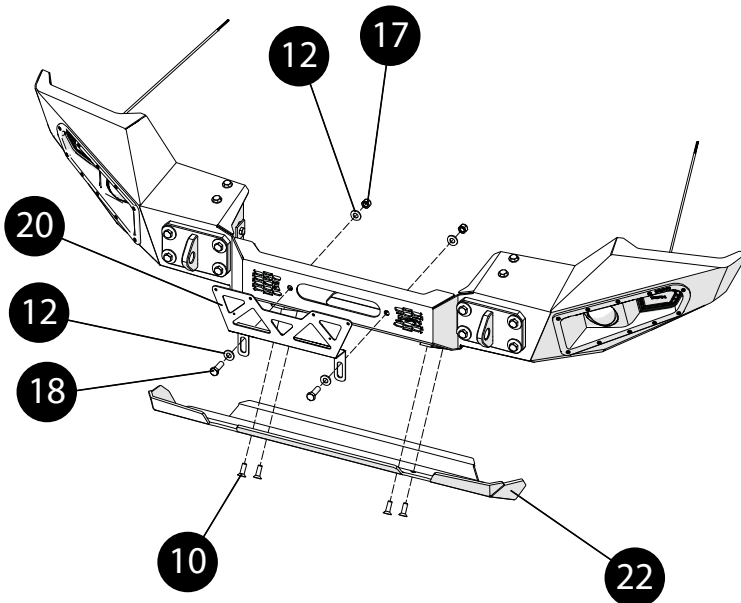
STEP1 - FITTING AFN FRONT BUMPER IN THE VEHICLE

NUMBER	REF	QUANTITY
1	47002162	1x
2	47002119	2x
3	47002163	1x
4	47002164	1x
5	47002165	1x
6	47002166	1x
7	48002544	1x
8	48002545	1x
9	45000243	1/ each side
11	45001250	8/ each side
13	45001254	6/ each side
14	45001511	4/ each side
15	45001519	2/ each side
16	45001554	3/ each side
17	45001558	4/ each side
19	45001582	2/ each side
21	46007000	2/ each side



STEP2 - FITTING PLATE BRACKET AND SKID PROTECTION

NUMBER	REF	QUANTITY
10	45000934	4x
12	45001253	4x
17	45001558	2x
18	45001565	2x
20	46005518	1x
22	46008161	1x



STEP3 - FULL TIGHT ALL BOLTS

