

# CRAFTED LIKE NO OTHER

DON'T JUST SETTLE  
FOR THE SAME  
OLD BULL

**OWNER MANUAL**

MITSUBISHI  
L200 MR 2019+

**AFN**<sup>®</sup>  
4 X 4 ACCESSORIES



## WELCOME TO THE AFN FAMILY

This manual contains the Mitsubishi L200+2019 fitting instructions for:

Stump Guard Skid Plate Ref.: 48002647

Transfer Box Skid Plate Ref.: 48002283

Gearbox Skid Plate Ref.: 48002284

Fuel Tank Skid Plate Ref.: 48002294

# 1 INTRODUCTION

## The Company

Founded in 1995, AFN - 4x4 Accessories dedicates itself to the production and commerce of all-terrain accessories. Its constant concern in its customers total satisfaction, and in the ideals of innovation and transformation have granted a position of notability both in the national and international panorama.

The only company in Portugal in the mass production of 4x4 accessories, relies on specialized and experienced technicians, with the most adequate knowledge, to an efficient response capability to its customers demands.

Thanks to the specialization in the several areas of design and manufacture and to a constant investment in technology, AFN has been broadening its wide range of products, without ever neglecting the quality factor.

## 4x4 Accessories

In its diversity of products we can include, with all-terrain quality, protection, safety and aesthetic accessories.

And it is here that AFN invest on the best technology, the best cut precision of the raw material, and the transformation of products with the quality recognized in the marketplace.

AFN has, at its disposal, resources to test and analyse the resistance of its products and stands in the front row regarding the European homologation of materials dedicated to all terrain.

The contact with the most important test laboratories for vehicles, both in England, Spain and Germany, provides AFN with the know-how to manufacture a wide range of quality products.

## Our Design Approach

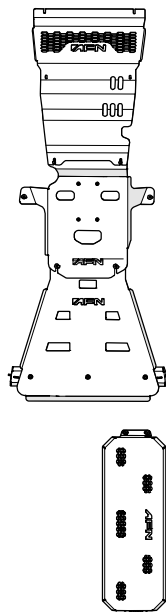
AFN designs each accessory taking into consideration the original model lines and fitting points. We refuse to have a "one design fits all" solution and we are always looking forward to embrace new challenges on how to adjust a new product into a new model!

The days of just throwing on a bit of steel together to form a protection system are gone. AFN is leading the way modern vehicle protection components are manufactured. Other will follow, and it won't be long where the AFN approach to Styling, Fit, Form and Function will become the benchmark for all other manufacturers.





**INDEX**



**AFN 4x4 Accessories**  
 Product: **Sump Guard Skid Plate**  
 Part Ref.: **48002647**

Product: **Gearbox Skid Plate**  
 Part Ref.: **48002284**

Product: **Transfer box Skid Plate**  
 Part Ref.: **48002283**

Product: **Fuel Tank Skid Plate**  
 Part Ref.: **48002294**

**Introduction 2**

**1 Checklist 4**

Product 48002647

Product 48002284

Product 48002283

Product 48002294

**2 Fitting Instructions 6**

**3 L200 Catalogue 15**

**4 Warranty Terms 16**

**5 AFN 4x4 Partners 17**



**1 CHECKLIST**



- In this section you have a checklist with all parts included for the installation of your AFN product
- This product should be installed as demonstrated in the product fitting instructions
- If verified that any component is damaged, please contact your nearest AFN distributor
- The specified parts will only fit in the models specified by AFN
- Do not modify any component of the product

This checklists are for products **48002647\_48002284\_48002283\_48002294**.

**48002647**

NUMBER	DESCRIPTION	REFERENCE	QTY
1	Radiator Skid Plate Mitsubishi L200 2019	46008823	1x

**48002284**

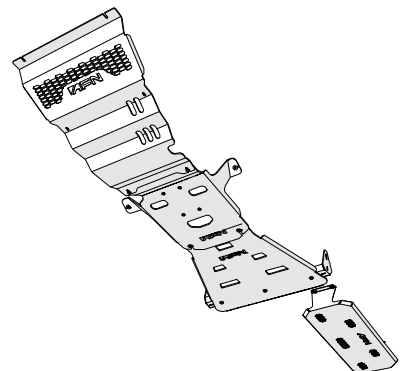
NUMBER	DESCRIPTION	REFERENCE	QTY
2	Gearbox Skid Plate Mitsubishi L200 2019	46005381	1x
3	Gearbox Skid Plate Bracket	46005382	1x
4	Bolt M8x30	45000008	2x
5	Bolt M8x25	45000009	4x
6	Washer M8	45000011	10x
7	Nylock Nut M8	45000018	4x

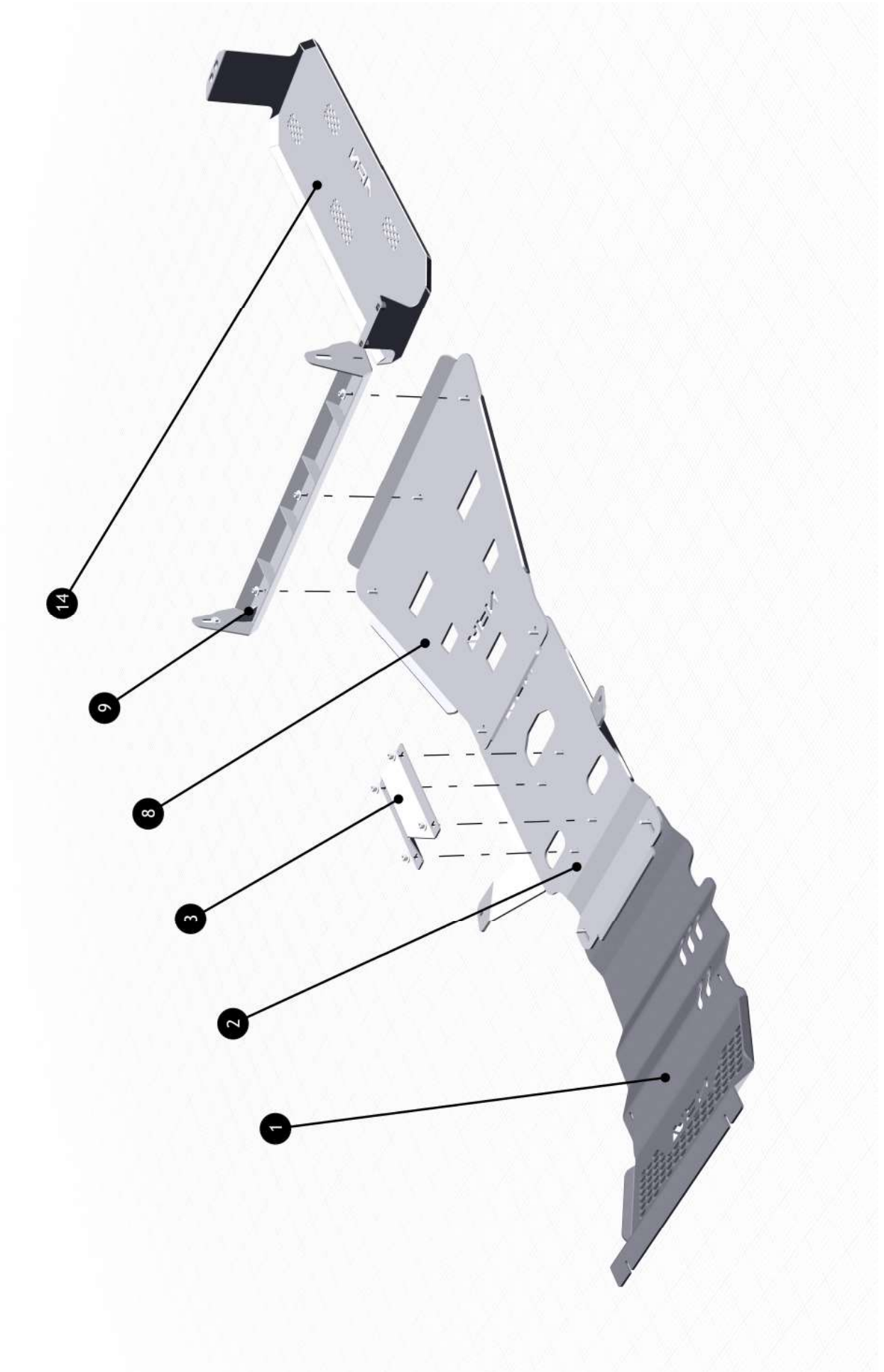
**48002283**

NUMBER	DESCRIPTION	REFERENCE	QTY
8	Transfer Box Skid Plate Mitsubishi L200 2019	46006377	1x
9	Transfer Box Skid Plate Bracket	47001708	1x
10	Bolt M8x30	45000008	5x
11	Washer M8	45000011	9x
12	Bolt M8x25	45000014	1x
13	Nylock Nut M8	45000018	3x

**48002294**

NUMBER	DESCRIPTION	REFERENCE	QTY
14	Fuel Tank Skid Plate Mitsubishi L200 2019	46006384	1x





## 2 FITTING INSTRUCTIONS

### WARNING:

Before you begin installation, read all instructions thoroughly.  
Proper tools will improve the quality of installation and reduce the time required.

- This product should be installed as demonstrated in the *Product «Fitting Instructions»*;
- The specified parts, will only fit the models specified by **AFN**;
- Do not modify any component of the product;
- It is recommended that this product is installed by specialized and trained personnel;
- AFN doesn't take responsibility for changes made in the vehicle by its manufacturer;
- Work safely and use specialized tools at all times;
- **Always use protective gear.**

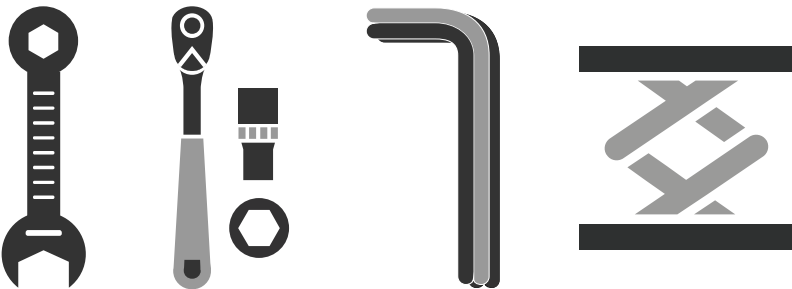


Size	Torque Nm	Torque lbft
M6	9 Nm	7 lbft
M8	22 Nm	16 lbft
M10	44 Nm	32 lbft
M12	77 Nm	57 lbft

### Mouting Time

- 2 hours (**All underbody protections**)
- 1 person (recommended)

### Tools Required



- Wrench
- Ratchet wrench
- Allen wrench
- Lift

## Step 1 - Remove the OEM\* Underbody Protection

Start by placing the **Vehicle** in a **Lift**.

Lift the vehicle.

*(we do recommend to use a lift)*

First there are the **OEM\* Underbody Protections** that needs to be removed.

Start by the **OEM\* Radiator Protection**.

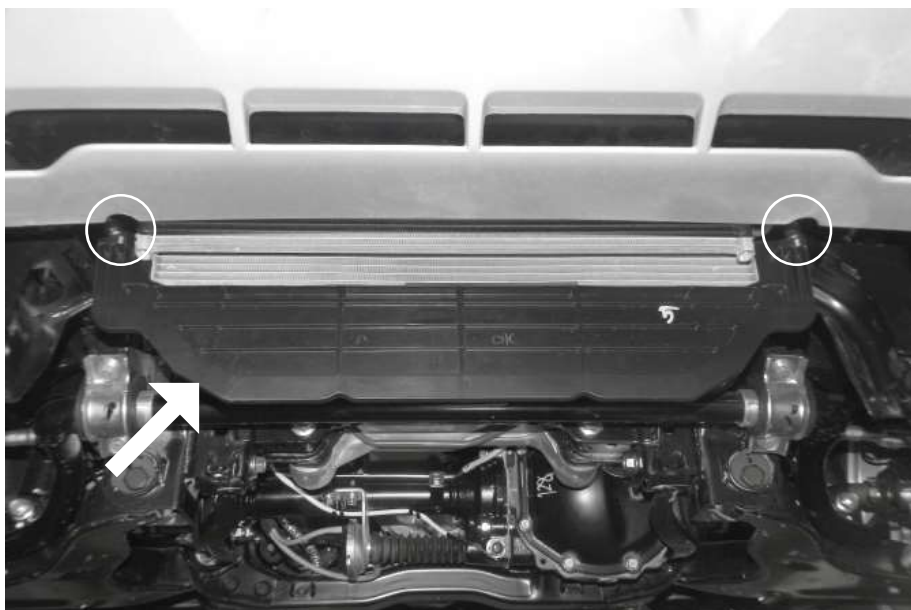
2x OEM\* Bolts.



Once that is done, also remove the the **Plastic Air Duct**.

2x OEM\* Bolts.

*(Be aware that you must save the OEM\* bolts.)*

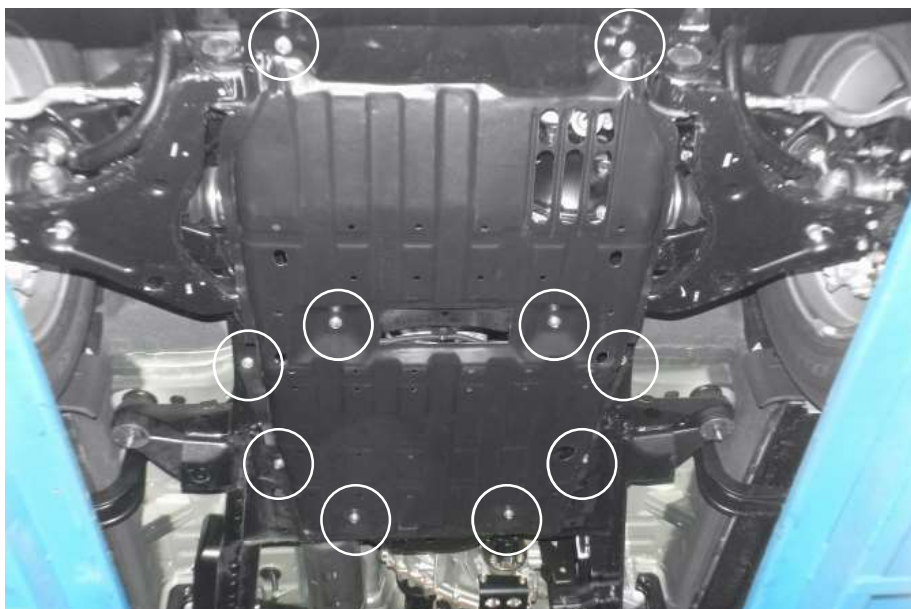


Then, remove the OEM\* **Plastic Underbody Protection**.

Please be in mind all of the OEM\* bolts.

Check the image.

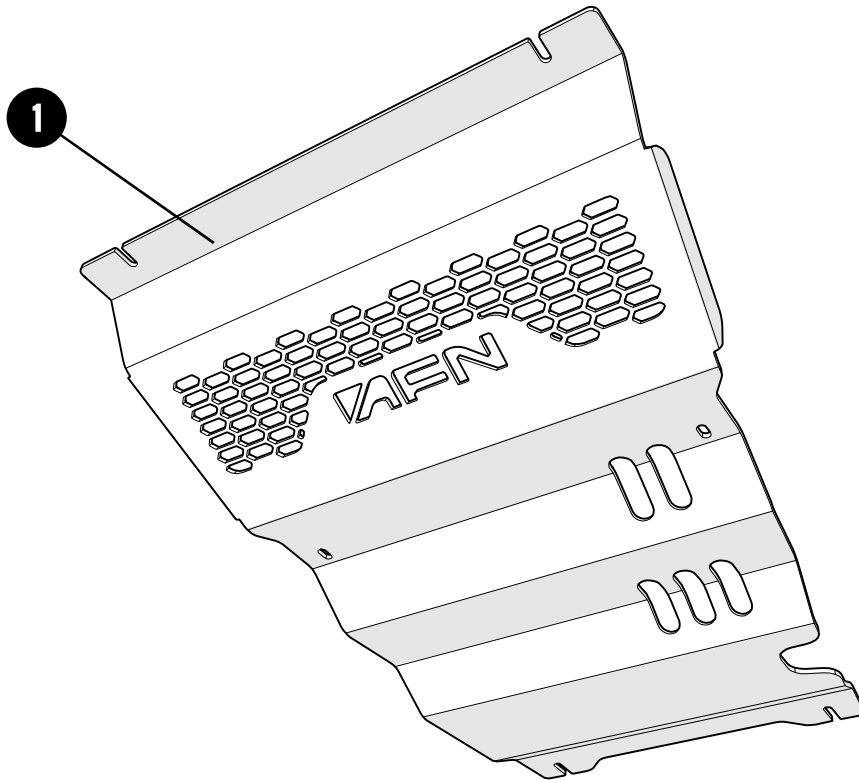
*(Be aware that you must save the OEM\* bolts.)*



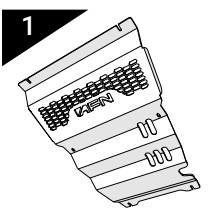
\*OEM - Original Equipment Manufacturer

**Step 2 - Fitting Sump Guard Skid Plate**

**Preview**



**Parts needed:**



x1 Sump Guard Skid Plate  
Mitsubishi L200 2019

**Step 2 - Fitting Sump Guard Skid Plate****Installation**

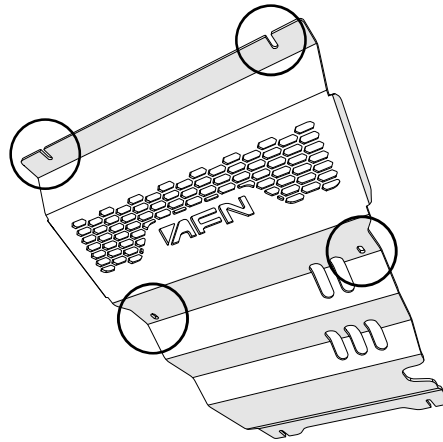
Start by fitting the **Sump Guard Skid Plate(1)**. Bolts needed:

Use 2x *OEM\** Bolts on the front, previously removed.

Also in the middle use 2x *OEM\** Bolts.

Just finger tight all bolts

**Do Not tighten yet**



The **Sump Guard Skid Plate(1)** will be fitted in the same mounting points as the *OEM\** Radiator Protection.



**ATTENTION!**

*If you have AFN Transfer Box Skid Plate - 48002283 to be mounted, skip this step.*

*Also, both *OEM\** Bolts will be replaced for:*

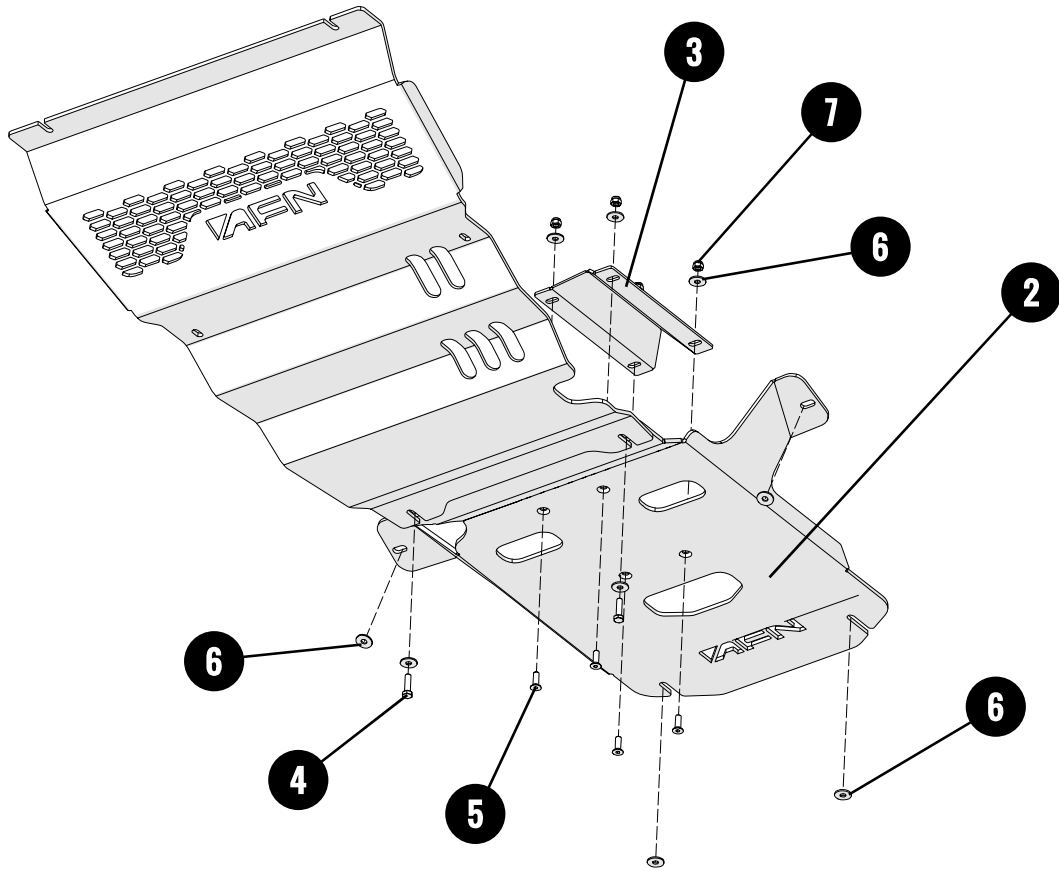
2x Bolts M8x30(4) with 2x Washers M8(6).



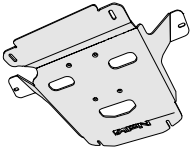
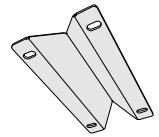
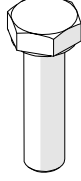
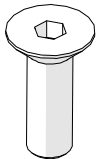
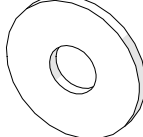
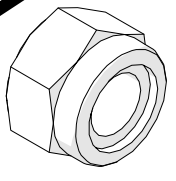
\*OEM - Original Equipment Manufacturer

**Step 3 - Fitting Gearbox Skid Plate**

Preview



**Parts needed:**

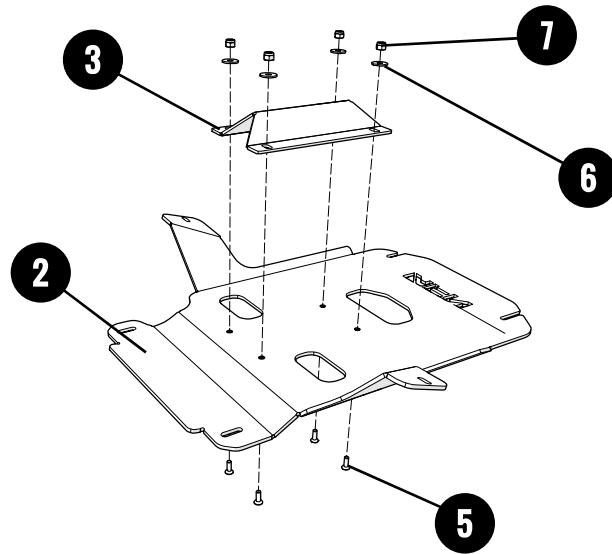
- |   |   |   |   |   |   |
|---|---|---|---|---|---|
| <b>2</b><br> | <b>3</b><br> | <b>4</b><br> | <b>5</b><br> | <b>6</b><br> | <b>7</b><br> |
| x1 Gearbox Skid Plate<br>Mitsubishi L200 2019   | x1 Gearbox Skid Plate Bracket<br>Mitsubishi L200 2019   | x2 Bolt M8x30   | x4 Bolt M8x25   | x10 Washer M8   | x4 Nylock Nut M8  |

### Step 3 - Fitting Gearbox Skid Plate

### Installation

Start by fitting the **Gearbox Skid Plate Bracket(3)**. Bolts needed:

Use 4x Bolts M8x25(5) with 4x Washers M8(6) and 4x Nylock Nut M8(7).

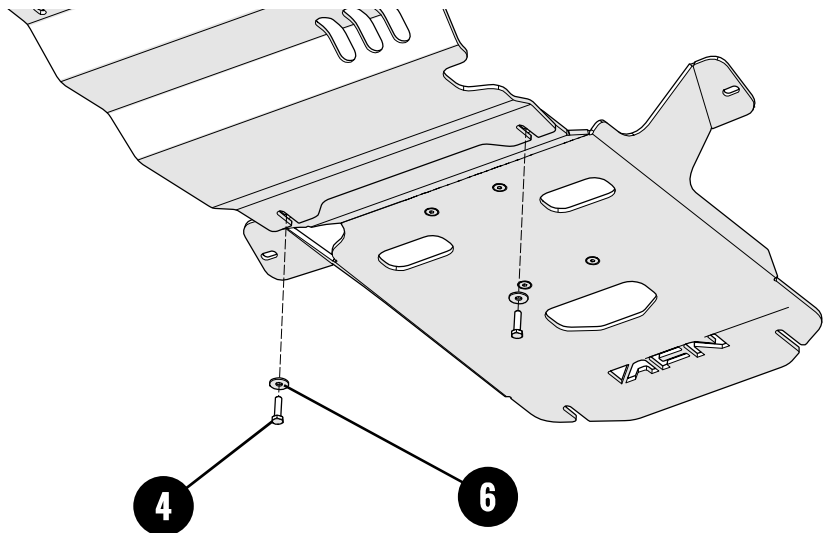


Once everything is correctly fitted, **Give the final torque.**

Once that is done, take on **Gearbox Skid Plate(3)** and fit it above the **Sump Guard Skid Plate(1)**. Bolts needed:

Use 2x Bolts M8x30(4) with 2x Washers M8(6).

Just finger tight all bolts **Do Not tighten yet.**



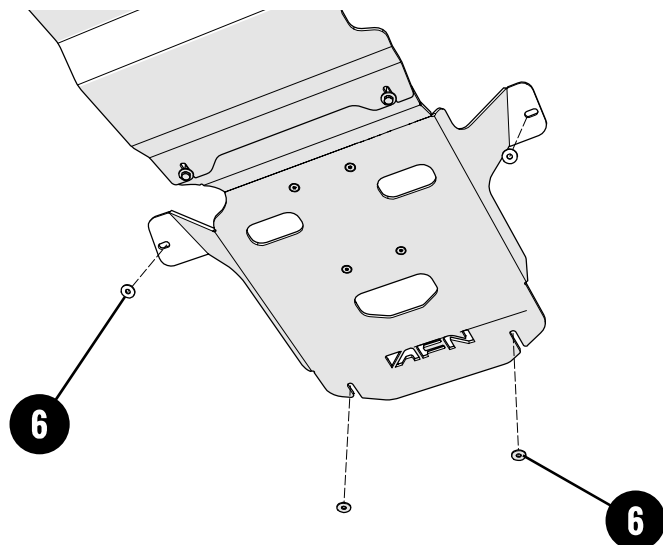
**ATTENTION!**

*If you have AFN Transfer Box Skid Plate - 48002283 to be mounted, skip this step.*

Once that is done, fit the rear part of **Gearbox Skid Plate(3)** in the vehicle chassis. Bolts needed:

Use 2x OEM\* Bolt previously removed with 2x Washers M8(6).

Then, use 1x OEM\* Bolt previously removed with 1x Washer M8(6), on each side.

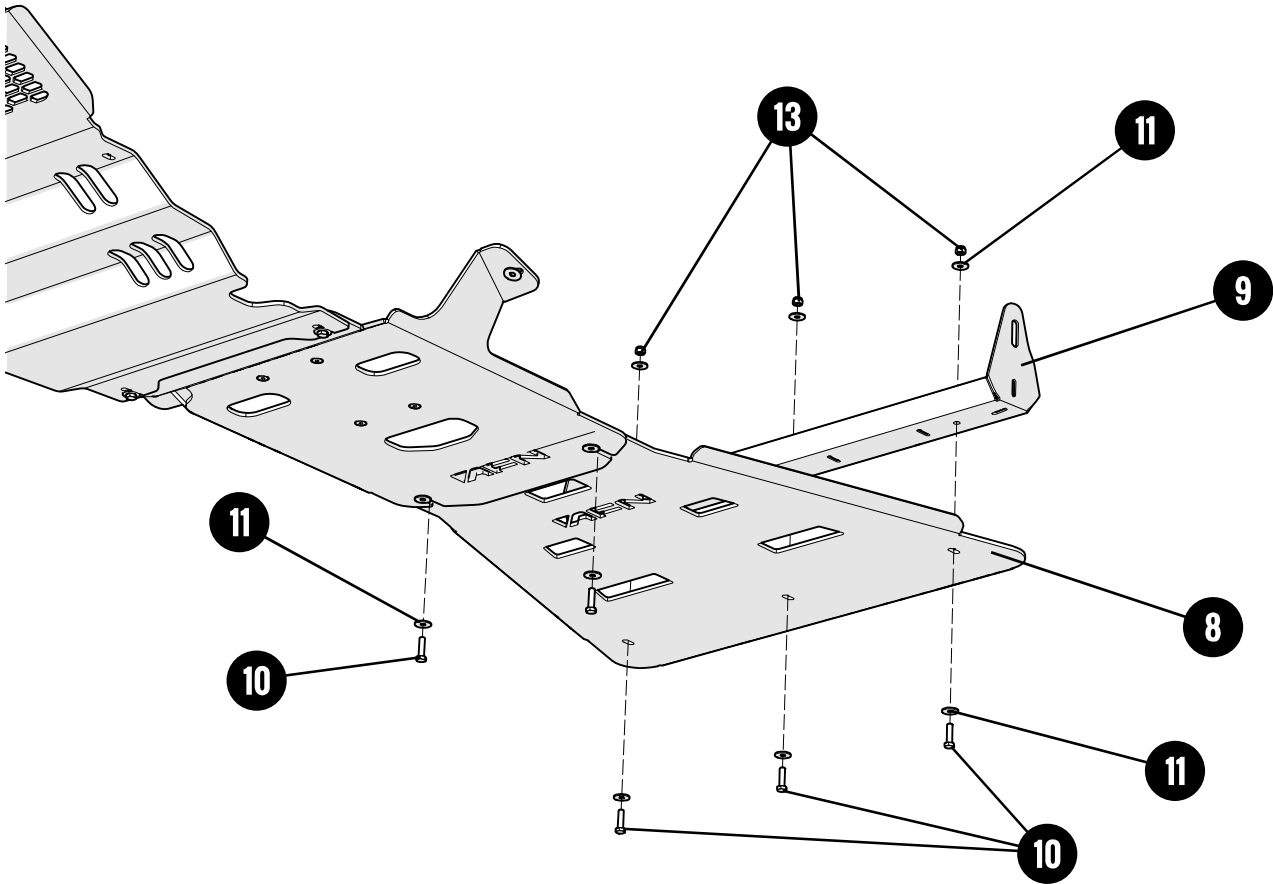


Once everything is correctly fitted, **Give the final torque.**

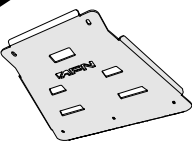
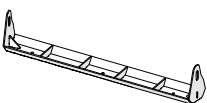
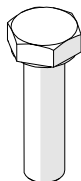
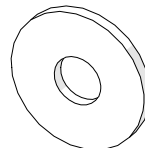
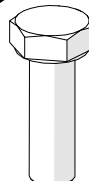
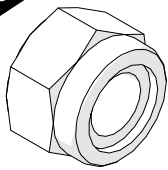
\*OEM - Original Equipment Manufacturer

**Step 4 - Fitting Transfer Box Skid Plate**

Preview



**Parts needed:**

- |   |   |  |  |  |  |
|---|---|--|--|--|--|
| <b>8</b><br> | <b>9</b><br> | <b>10</b><br> | <b>11</b><br> | <b>12</b><br> | <b>13</b><br> |
| <b>x1</b> Transfer Box Skid Plate<br>Mitsubishi L200 2019                                       | <b>x1</b> Transfer Box Skid P. Bracket<br>Mitsubishi L200 2019                                  | <b>x5</b> Bolt <b>M8x30</b>  | <b>x9</b> Washer <b>M8</b>   | <b>x1</b> Bolt <b>M8x25</b>  | <b>x3</b> Nylock Nut <b>M8</b>   |

## Step 4 - Fitting Transfer Box Skid Plate

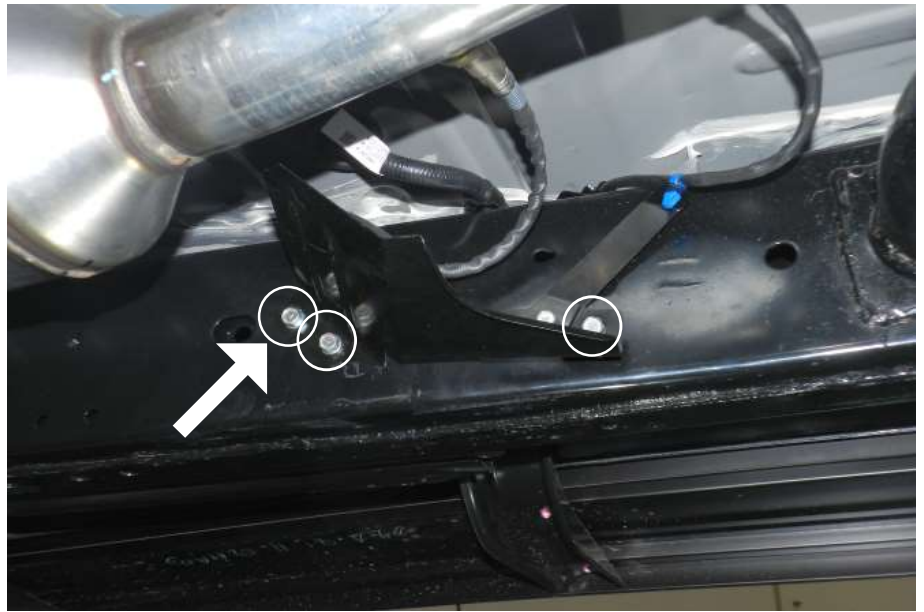
## Installation

Before fitting the **Fuel Tank Skid Plate (8)**, go into the *OEM\** Cover for cables and remove it.

Please note that the *OEM\** Bolt highlighted with an arrow will be replaced for:

1x Bolts M8x25(12) and 1x Washer M8(11).

Once everything is correctly fitted, **Give the final torque.**



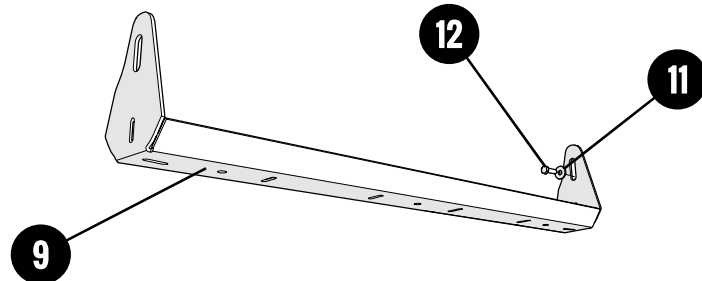
Then, take on **Fuel Tank Skid Plate Bracket(9)** and fit it above the *OEM\** Cover for cables on both sides. Bolts needed:

Use 1x Bolt M8x25(12), with 1x Washers M8(11).

For the white Cable Bracket, use the *OEM\** Bolt.

Just finger tight all bolts

**Do Not tighten yet.**



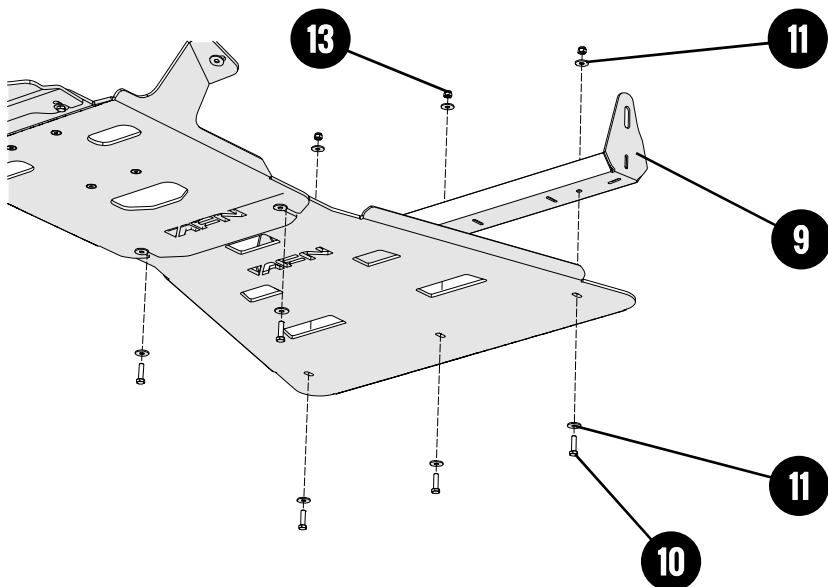
Once that is done, take on **Fuel Tank Skid Plate(8)** and fit it above the **Gearbox Skid Plate(3)**, as showed in the image. Bolts needed:

Use 2x Bolts M8x30(10), with 2x Washers M8(11).

On the back, fit it to the **Fuel Tank Skid Plate Bracket(9)**.

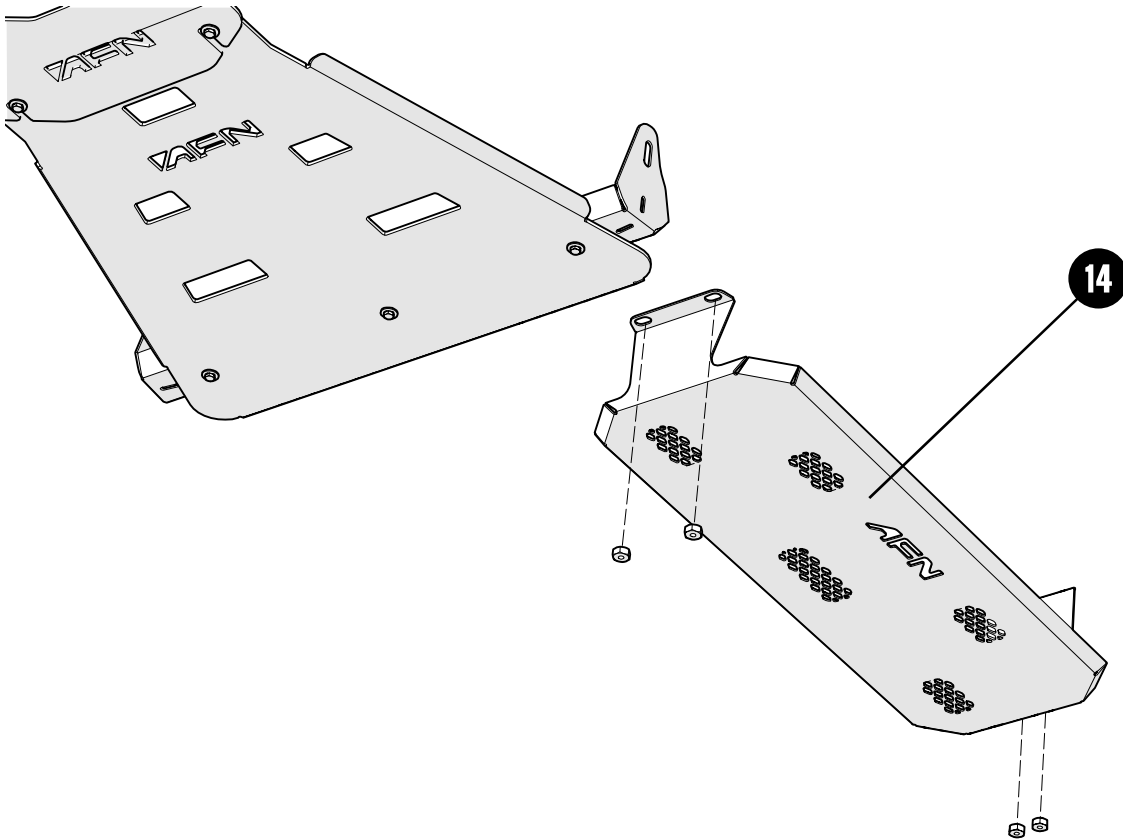
Use 3x Bolts M8x30(10), with 6x Washers M8(11) and 3x Nylock Nuts M8(13).

Once everything is correctly fitted, **Give the final torque.**



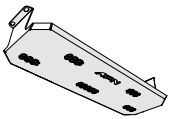
**Step 5 - Fitting Fuel Tank Skid Plate**

**Preview**



**Parts needed:**

**14**



x1 Fuel Tank Skid Plate  
Mitsubishi L200 2019

**Step 5 - Fitting Fuel Tank Skid Plate**

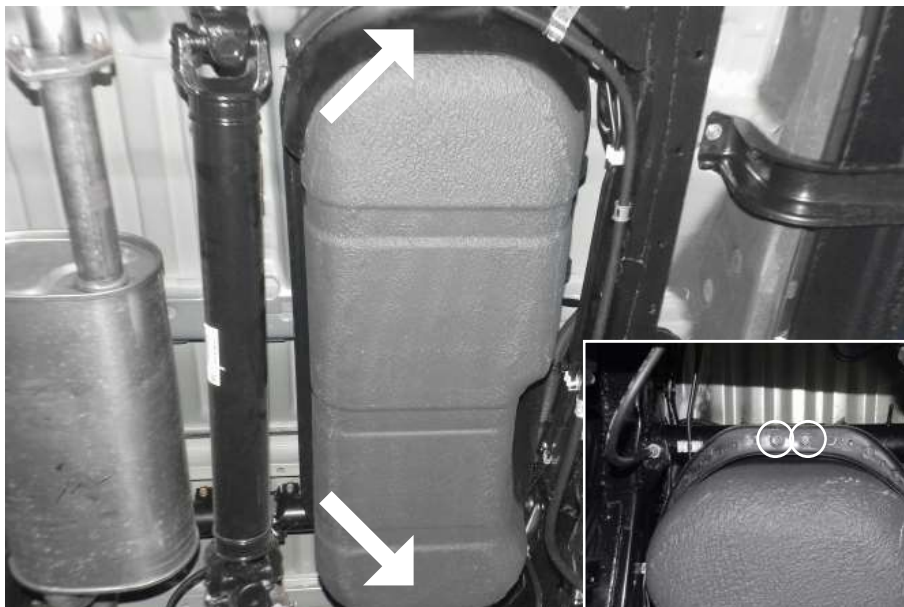
**Installation**

Finally, fit the **Fuel Tank Skid Plate(14)** into the Chassis. But first, it's time to loosen the *OEM\** Fuel Tank Protection.

**Please be in mind that this step requires extreme careful, so you don't let drop the Fuel Tank.**

Bolts needed:  
4x *OEM\** Nuts, 2x on front and 2x on back.

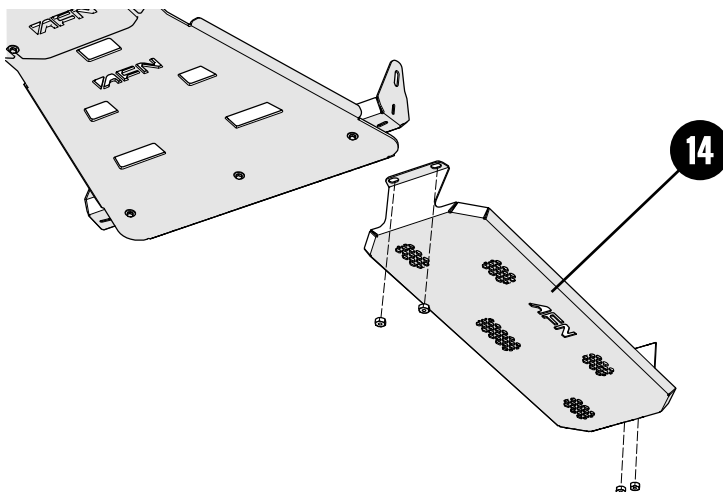
*(Be aware that you must save the OEM\* nuts.)*



Once the *OEM\** Protections has been removed, fit the **Fuel Tank Skid Plate(14)** into the Chassis. Bolts needed:

4x *OEM\** Nuts, previously removed in the latest step.

Once everything is correctly fitted, **Give the final torque.**



If you done it correctly, this is what it should look like.



**Step 5 - Final Result**

**Preview**



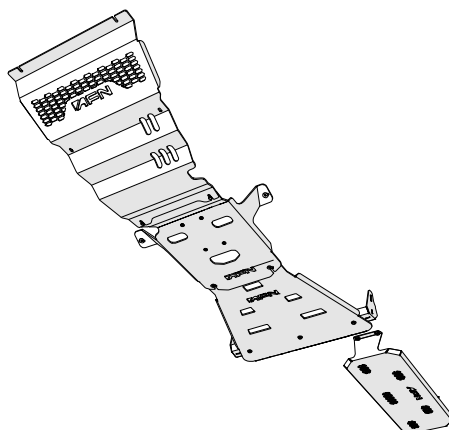
Your new **AFN UNDERBODY PROTECTIONS** are now installed on your **Mitsubishi L200 MR!**  
Have Fun!

**Reminder !**

Before operating a vehicle fitted with an AFN Underbody Protection:  
- Make sure all fittings are tightened

**Maintenance | Care**

Periodically check and tighten all nuts. Stripped, fractured or bent bolts or nuts need to be replaced.





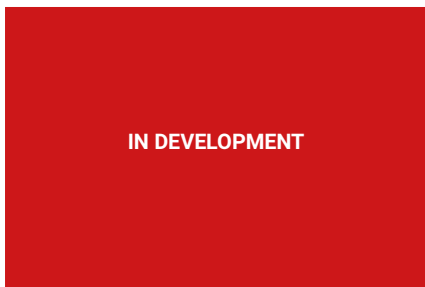
# 3 L200 CATALOGUE

**AFN 4x4 Accessories** is becoming a well known brand for its products due to its quality, design and safety which are challenged for thousands of people everyday, worldwide.

In its diversity of products we can include, with all-terrain quality, protection, safety and aesthetic accessories. With that being said, **AFN 4x4** has some other accessories that every offroad passionate would like to have, such as **Body Protections, Underbody Protections, Light Holders, Storage** (Wheel Supports and Jerry-can carriers) and others related to the **Aesthetics**.

We have some 4x4 accessories that combine with the original model lines that if you take a closer look you will see that they don't appear to be an accessory, but a must-have.

Please be in mind that some accessories are available only to some models.  
 Feel free to check all the products that may interest you in our website at: [www.afn.pt](http://www.afn.pt)



Ref.: 4800XXXX - Front Bumper



Ref.: 48002648 - Bullbar with fog lights



Ref.: 48002641 - Side Steps



Ref.: 48002647 - Sump Guard Skid Plate (\*Al)



Ref.: 48002284 - Gearbox Skid Plate (\*Al)



Ref.: 48002283 - Transfer Box Skid Plate (\*Al)



Ref.: 48002294 - Fuel Tank Skid Plate (\*Al)

\*Al - Aluminium

## 4 WARRANTY TERMS

**AFN4x4** products are warranted free from defects in materials and workmanship for a period of two (2) years from the date of initial retail purchase. Third-party components are delivered under the original manufacturer warranty.

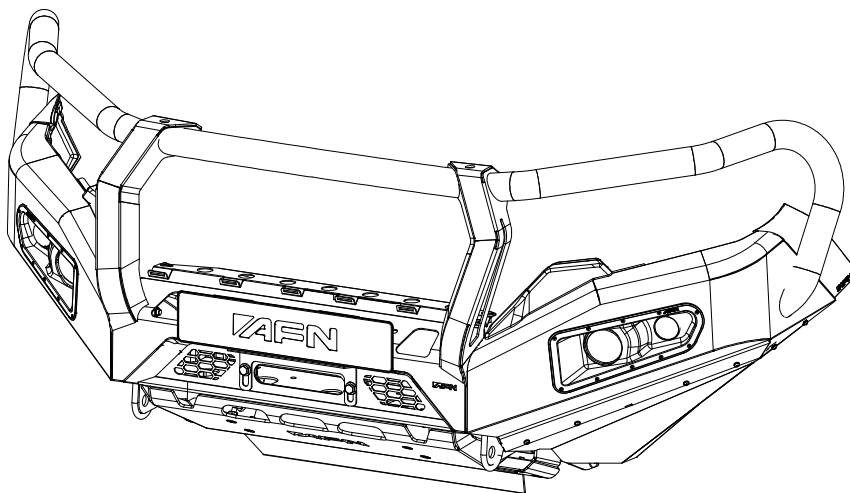
Under the present warranty, **AFN4x4** obligation shall be limited to repairing, replacing or crediting, at its option, any part found to be defective.

**AFN4x4** does not warrant or make any representations concerning its goods when:

- a) The products are purchased used, scratch and dent or when the box was opened.
- b) The products are not installed, used, and maintained strictly in accordance with **AFN4x4**'s instructions.
- c) The products are installed in vehicles that are used in competition.
- d) The products are installed in vehicles fitted with aftermarket non-standard tires with diameters in excess of OEM\* specifications.
- e) The products are installed in vehicles with engines that have been modified to increase performance.

**AFN4x4** will not be responsible for goods damaged in transit. If any goods arrive damaged, please contact the **AFN4x4** as soon as possible. **AFN4x4** will assess and may arrange to have the damaged goods returned to a **AFN4x4** Distributor and arrange for a replacement of the goods. Damaged goods must be returned in the condition received by you with all original packaging, accessories and/or manuals. If they are not returned in same condition sent there may be an additional fee charged.

To file a claim under this warranty please contact **AFN4x4** at +351 256 808 300 or via email at [geral@afn.pt](mailto:geral@afn.pt) to request a *Returned Goods Authorization (RGA)* number and instructions for returning the defective component.





## 5 AFN 4x4 PARTNERS



01

### Portugal

Rua da Madeira, 113  
Z. Industrial das Travessas  
3700-176 S. João da Madeira

T:(00351) 256 838 300/7  
geral@afn.com  
www.afn.com

02

### Espanha

Carretera de Moledo 8  
pol. ind. de Miraflores, Nave 20  
36214, Vigo (Pontevedra)

T:(0034) 986 378338  
info@4x4misutonida.com  
www.4x4misutonida.com

03

### Austrália

19 Flinders Parade  
North lakes  
QLD 4509

T:(0061) 1300 236 494  
sales@afn4x4.com.au  
www.afn4x4.com.au

04

### Costa Rica

Fort overlanding CR,  
Alajuela

T:(0011) 506 8430 0211  
info@fortoverlanding.com  
www.fortoverlanding.com

DON'T JUST SETTLE FOR THE SAME OLD BULL



WWW.AFN.PT | SALES@AFN.PT | FACEBOOK.COM/AFN4X4

# WELCOME TO THE AFN FAMILY



União Europeia  
Fundos Europeus  
desenvolvimento Regional

