

CRAFTED LIKE NO OTHER

DON'T JUST SETTLE
FOR THE SAME
OLD BULL

OWNER MANUAL

MITSUBISHI
L200 MR 2019+

AFN[®]
4 X 4 ACCESSORIES



WELCOME TO THE AFN FAMILY

This manual contains the **Mitsubishi L200 +2019** fitting instructions for:
Bull bar w/ Fog Lights Ref.: 48002648

1 INTRODUCTION

The Company

Founded in 1995, AFN - 4x4 Accessories dedicates itself to the production and commerce of all-terrain accessories. Its constant concern in its customers total satisfaction, and in the ideals of innovation and transformation have granted a position of notability both in the national and international panorama.

The only company in Portugal in the mass production of 4x4 accessories, relies on specialized and experienced technicians, with the most adequate knowledge, to an efficient response capability to its customers demands.

Thanks to the specialization in the several areas of design and manufacture and to a constant investment in technology, AFN has been broadening its wide range of products, without ever neglecting the quality factor.

4x4 Accessories

In its diversity of products we can include, with all-terrain quality, protection, safety and aesthetic accessories.

And it is here that AFN invest on the best technology, the best cut precision of the raw material, and the transformation of products with the quality recognized in the marketplace.

AFN has, at its disposal, resources to test and analyse the resistance of its products and stands in the front row regarding the European homologation of materials dedicated to all terrain.

The contact with the most important test laboratories for vehicles, both in England, Spain and Germany, provides AFN with the know-how to manufacture a wide range of quality products.

Our Design Approach

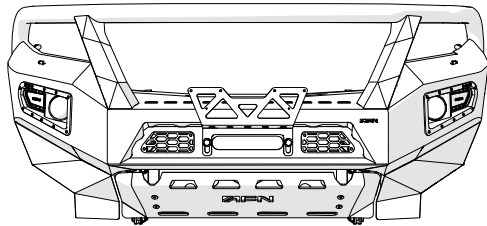
AFN designs each accessory taking into consideration the original model lines and fitting points. We refuse to have a "one design fits all" solution and we are always looking forward to embrace new challenges on how to adjust a new product into a new model!

The days of just throwing on a bit of steel together to form a protection system are gone. AFN is leading the way modern vehicle protection components are manufactured. Other will follow, and it won't be long where the AFN approach to Styling, Fit, Form and Function will become the benchmark for all other manufacturers.





INDEX



AFN 4x4 Accessories

Product: **Bullbar**
Part Ref.: **48002648**

Introduction	2
1 Checklist	4
Product 48002648	
2 Fitting Instructions	6
3 L200 Catalogue	23
4 Warranty Terms	24
5 AFN 4x4 Partners	25

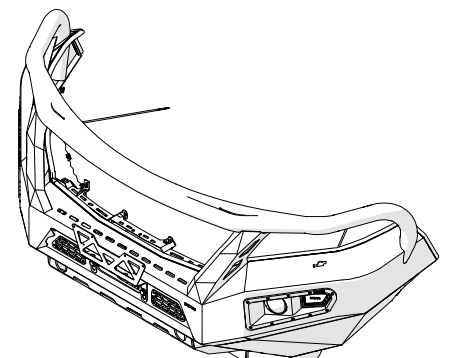


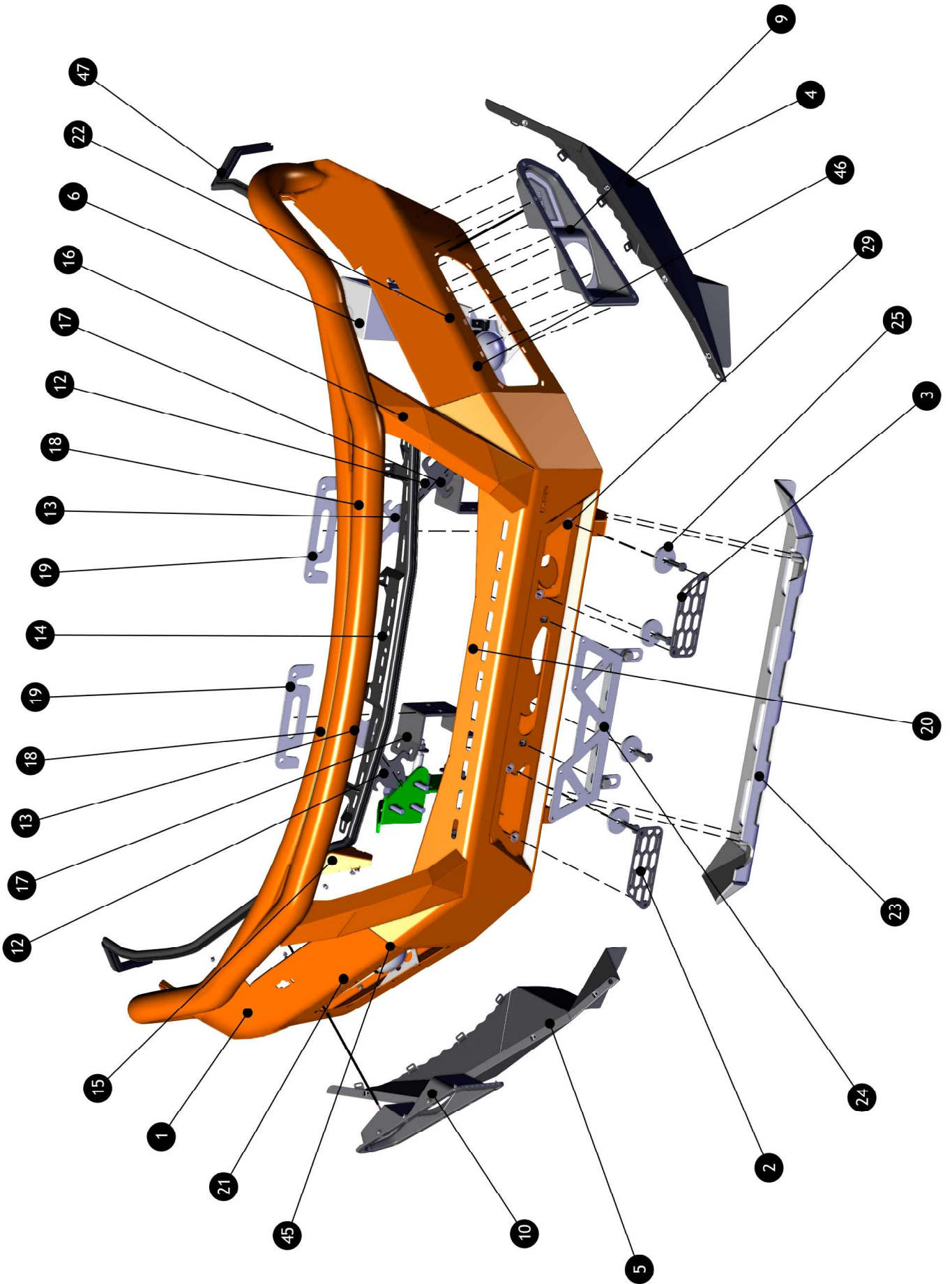
1 CHECKLIST

- In this section you have a checklist with all parts included for the installation of your AFN product
- This product should be installed as demonstrated in the product fitting instructions
- If verified that any component is damaged, please contact your nearest AFN distributor
- The specified parts will only fit in the models specified by AFN
- Do not modify any component of the product

This checklist is only for product **48002648**.

NUMBER	DESCRIPTION	REFERENCE	QTY	NUMBER	DESCRIPTION	REFERENCE	QTY
1	Bullbar - Mitsubishi L200 2019	47002233	1x	27	Bolt M12x40	45001544	14x
2	Bumper Grill (Right Side)	47002082	1x	28	Bolt M5x16	45001491	6x
3	Bumper Grill (Left Side)	47002083	1x	29	Rubber Nut	45001269	4x
4	Left Flap - Mitsubishi L200 2019	47002234	1x	30	Washer M12	45001253	4x
5	Right Flap - Mitsubishi L200 2019	47002235	1x	31	Washer M10	45001251	2x
6	Water Tank	47002236	1x	32	Washer M12	45001250	28x
7	Winch Reinforcement (Left Side)	47002275	1x	33	Bolt M4x12	45001232	8x
8	Winch Reinforcement (Right Side)	47002276	1x	34	Flange Nut M4	45001166	8x
9	Kit LED Lights - (Right Side)	48002544	1x	35	Bolt M3,5x16	45001123	8x
10	Kit LEDLights - (Left Side)	48002545	1x	36	Plastic Nut M3,5	45001113	8x
11	Bushing	46009115	2x	37	Nylock Nut M12	45001033	2x
12	Back Winch Bracket Shim 4mm thickness	46009114	2x	38	Bolt M12x30	45001027	2x
13	Back Winch Bracket Shim 2,5mm thickness	46009113	2x	39	Cage Nut M6	45001012	8x
14	Grill Bracket - Mitsubishi L200 2019	46009086	1x	40	Washer M5	45001002	12x
15	Headlight Flap (Right Side)	46008885	1x	41	Washer M12	45000995	4x
16	Headlight Flap (Left Side)	46008884	1x	42	Nylock Nut M5	45000946	6x
17	Winch Reinforcement Clamp	46008878	2x	43	Bolt M10x30	45000934	4x
18	Lower Winch Bracket Shim 2,5mm thickness	46008875	2x	44	Washer M6	45000931	8x
19	Lower Winch Bracket Shim 4mm thickness	46008874	2x	45	Fog Lights - (Right Side)	45000897	1x
20	Central Winch Bracket Shim 8mm thickness	46008873	1x	46	Fog Lights - (Left Side)	45000896	1x
21	Aluminium Bracket for Fog Light (Right Side)	46008872	1x	47	Rubbers (Side - 225 mm / Front - 2370 mm)	45000502	3x
22	Aluminium Bracket for Fog Light (Left Side)	46008871	1x	48	Nylock Nut M5	45000402	4x
23	Front Skid Plate	46008870	1x	49	Bolt M5x20	45000383	4x
24	Plate Bracket	46005518	1x	50	Bolt M6x16	45000321	8x
25	Round Washer	46000139	4x	51	Bolt M12x100	45000199	2x
26	Nylock Nut M12	45001558	16x	52	Bolt M10x35	45000184	6x





2 FITTING INSTRUCTIONS



WARNING:

Before you begin installation, read all instructions thoroughly.
Proper tools will improve the quality of installation and reduce the time required.

- This product should be installed as demonstrated in the *Product «Fitting Instructions»*;
- The specified parts, will only fit the models specified by **AFN**;
- Do not modify any component of the product;
- It is recommended that this product is installed by specialized and trained personnel;
- AFN doesn't take responsibility for changes made in the vehicle by its manufacturer;
- Work safely and use specialized tools at all times;
- **Always use protective gear.**

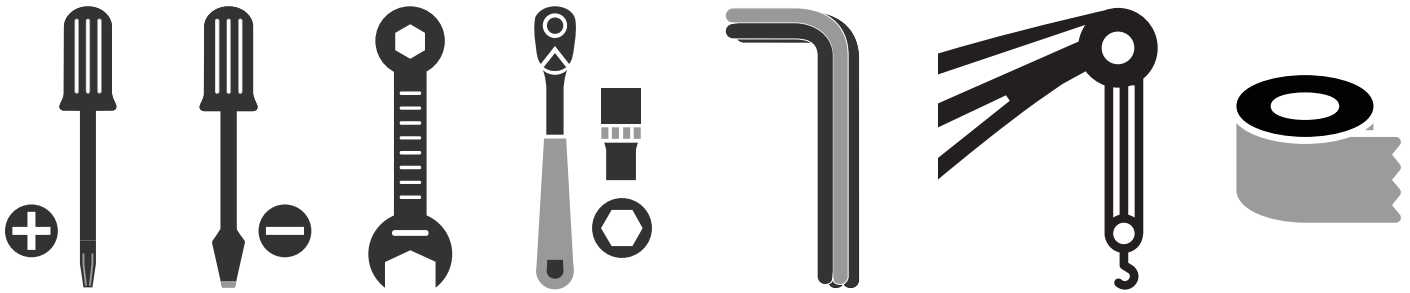


Size	Torque Nm	Torque lbft
M6	9 Nm	7 lbft
M8	22 Nm	16 lbft
M10	44 Nm	32 lbft
M12	77 Nm	57 lbft

Mouting Time

- 6 hours
- 2 persons (recommended)

Tools Required



- Screwdriver star head
- Screwdriver flat head
- Wrench
- Ratchet wrench
- Allen wrench
- Crane
- Duct tape

Step 1



Step 2

Start by removing the 9 OEM* plastic bolts of the plastic cover.

(Be aware that you must save the OEM bolts and nuts.)*

Then, remove the final 2 OEM* plastic bolts, one on each side, of the plastic cover.



Once that is done, remove the OEM* **Plastic Cover** should be loosen.

If you done correctly, this is what it should look like.
(Be aware that you must save the OEM bolts and nuts.)*

The **Plastic Cover** will be fitted again, later on.



Step 3

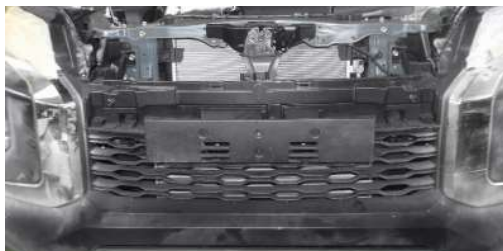
Then, it's time to remove the OEM* **Grill**, so remove 3x OEM* Bolts on the front.

Also, there are 2x OEM* Plastic pins on top of the **Grill**.

If you done correctly, this is what it should look like.

(Be aware that you must save the OEM bolts and nuts.)*

The OEM* **Grill** will be fitted again, later on.

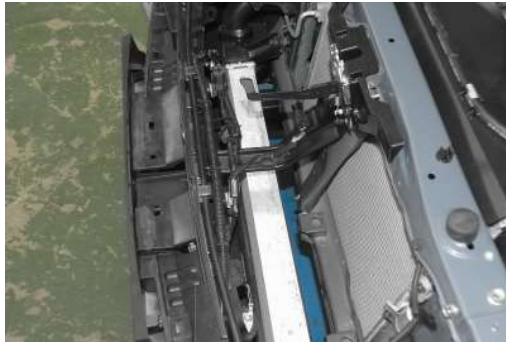


*OEM - Original Equipment Manufacturer

Step 4

Once that is done, it's time to disconnect all the electrical cables and Headlight washer cables from the OEM* Bumper.

(If you prefer, you may use a ziptie to fix the cables.)



Step 5

Once the OEM* Grill is out, and the electrical cables disconnected, remove both **Headlights**.

3x Bolts on each side.

(Be aware that you must save the OEM bolts and nuts.)*

The **Headlights** will be fitted again, later on.



Step 6

Then, remove OEM* **Wheel Arch Protection** attached to the OEM* Bumper.

3x Bolts on the side and one on bottom;

2x Plastic pins on the side and 2 on bottom;

Repeat this step on the other side.

The OEM* **Wheel Arch Protection** will be fitted again, later on.

(Be aware that you must save the OEM pins, they will be fitted again, later on.)*



*OEM - Original Equipment Manufacturer

Step 7

Once both Headlights are out, now you have room to work and start removing the **OEM* Bumper Cover Chromes**. Remove the 4x bolts of each **Bumper Cover Chromes**.

Then, there are 3 plastic pins, that also needs to be removed.

Once that is done, **gently** push both **OEM* Bumper Cover Chromes** (they are only one piece).

If you done correctly, this is what it should look like.

Repeat this step on the other side.



Step 8

Finally, the **OEM* Bumper** can be removed.

2x Bolts, one on each side.

If you done correctly, this is what it should look like.



Step 9

Remove the **OEM* Water Tank's Protection**.

3x Nuts.

Then, remove the **OEM* Water Tank**.

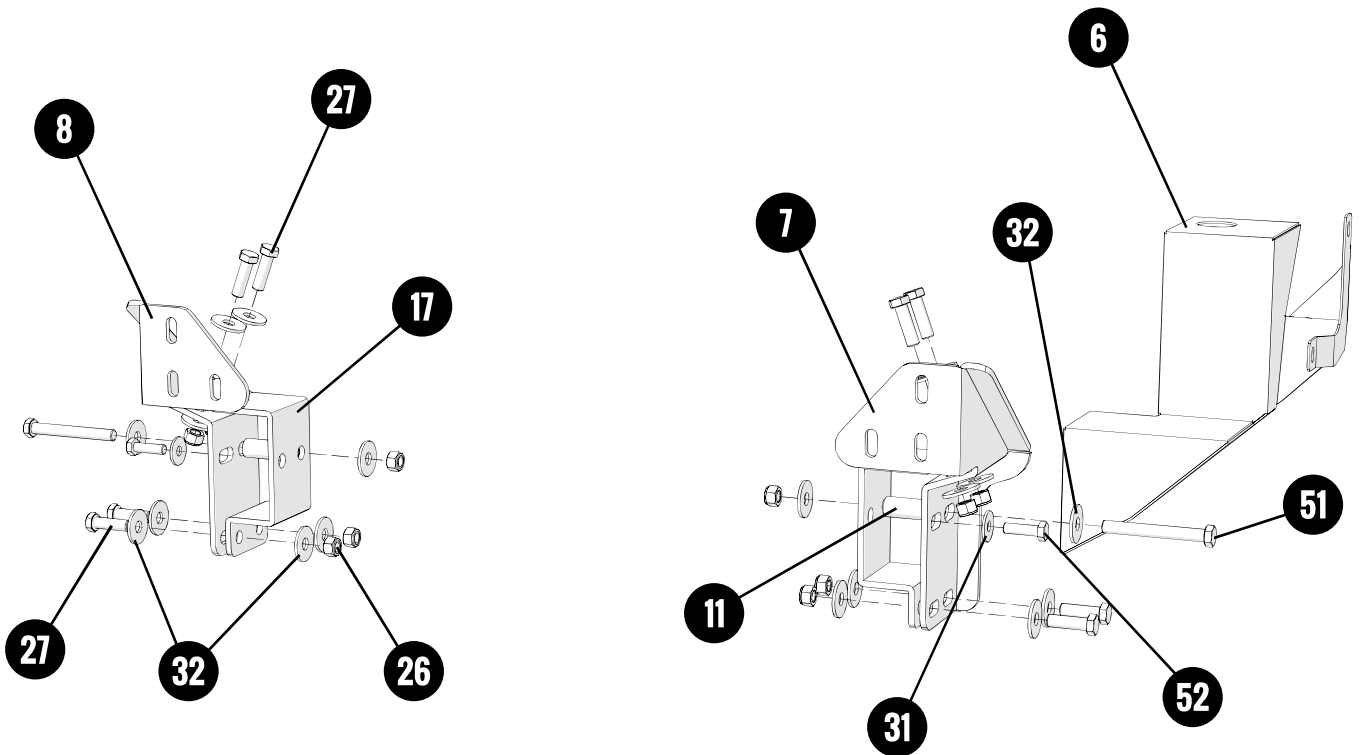
2x Bolts.

(Be aware that you must save the **OEM* bolts**, they will be fitted again, later on.)

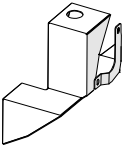
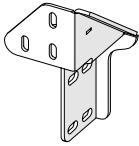
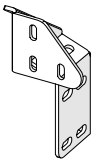
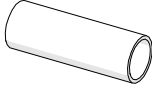
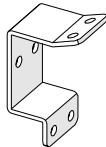
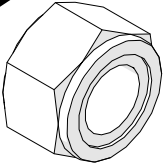
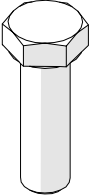
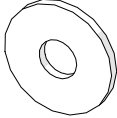
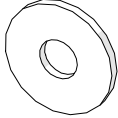
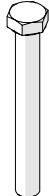
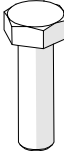


Step 10 - Fitting the AFN Winch Bracket on Chassis

Preview



Parts needed:

- | | | | | | |
|--|--|--|--|--|--|
| 
6 | 
7 | 
8 | 
11 | 
17 | 
26 |
| x1 Water Tank | x1 Winch Reinforcement
Left Side | x1 Winch Reinforcement
Right Side | x2 Bushing | x2 Winch Reinforcement
Clamp | x10 Nylock Nut M12 |
| 
27 | 
31 | 
32 | 
51 | 
52 | |
| x8 Bolt M12x40 | x2 Washer M10 | x16 Washer M12 | x2 Bolt M12x100 | x2 Bolt M10x35 | |

Step 10 - Fitting the AFN Winch Bracket on Chassis

Installation

Start by fitting the **Left Winch Reinforcement(7)** and fit it into the **Chassis**, as shown in the image.

Then, take on **Clamp(17)** and fit it on connecting to the **Left Winch Reinforcement(7)**.

The other part will act as a clamp in order to fix the **Left Winch Reinforcement(7)**.

Use 4x Bolts **M12x40(27)** with 8x Washers **M12(32)** and 4x Nylock Nuts **M12(26)**.

Just finger tight all bolts

Do Not tighten yet.

Once that is done, connect both parts in the middle.

Use 1x Bolt **M10x35(52)** with 1x Washer **M10(31)**.

1x Bolt **M12x100(51)** with 2x Washers **M12(32)**, 1x **Bushing(11)** and 1x Nylock Nut **M12(26)**.

Repeat the same steps for the other side using the **Right Winch Reinforcement(8)**.

Just finger tight all bolts

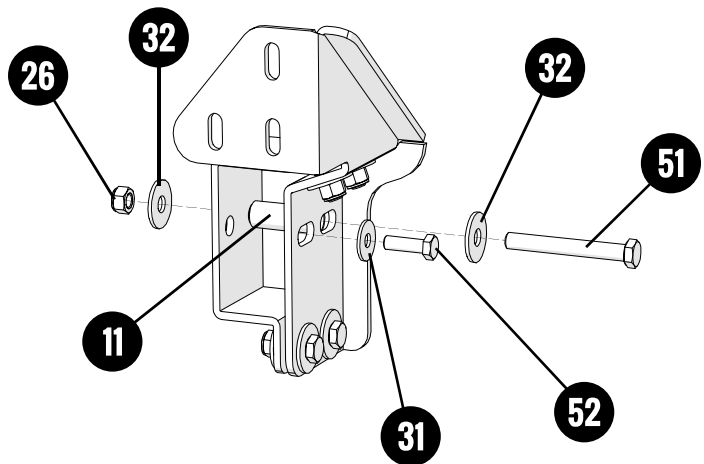
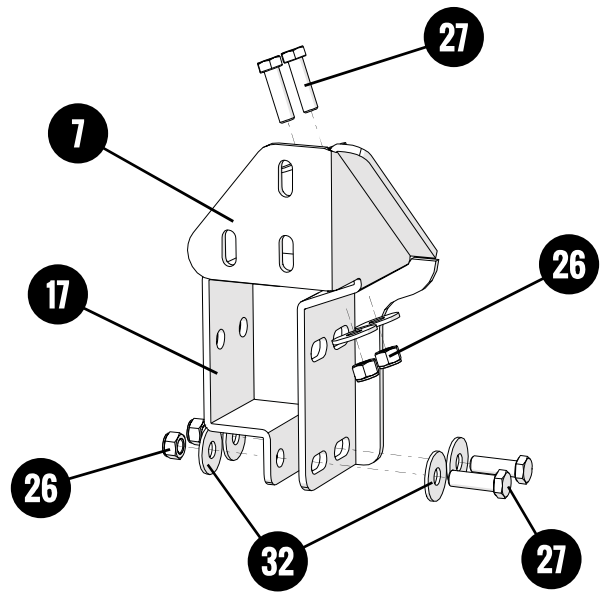
Do Not tighten yet.

Finally, take on supplied **Water Tank(6)** and fit it where the **OEM* Water Tank** was.

Reuse the previously unscrewed **OEM* Bolts**.

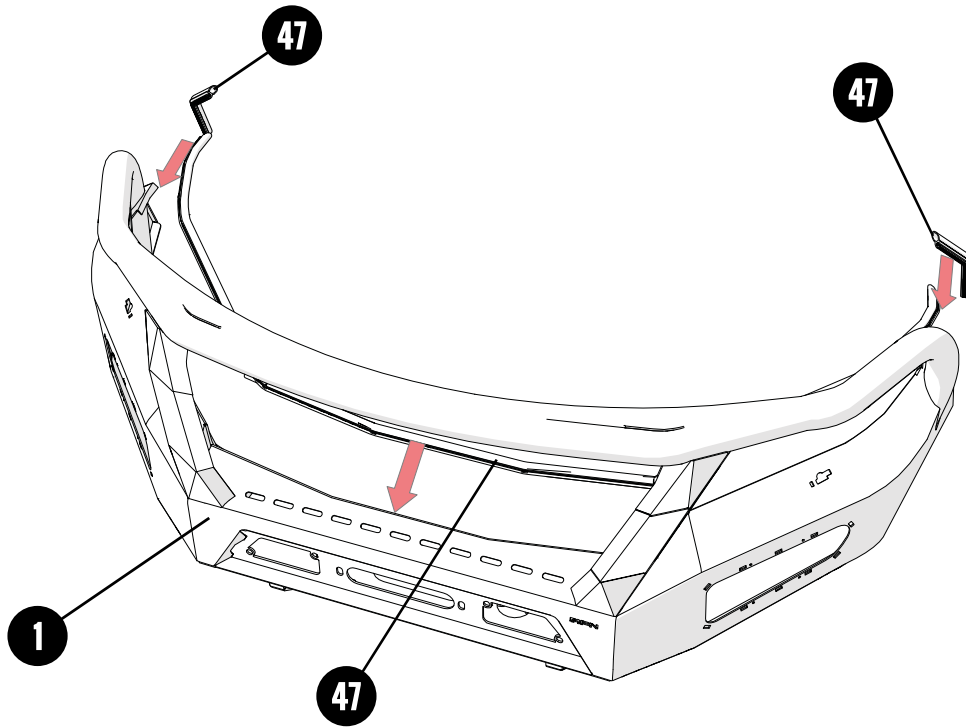
Also, connect all the **OEM* water cables** on **Water Tank(6)**.

Once everything is correctly fitted,
Give the final torque on all bolts.

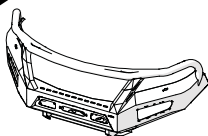

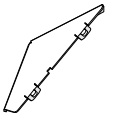
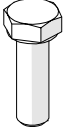
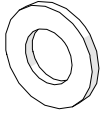
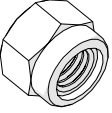



Step 11 - Preparation of the AFN Bullbar | Front Bumper

Preview



Parts needed:

- | | | | | | |
|---|---|--|--|--|---|
| <p>1</p>  <p>x1 Bullbar Mitsubishi L200 2019</p> | <p>15</p>  <p>x1 Headlight Flap Right Side</p> | <p>16</p>  <p>x1 Headlight Flap Left Side</p> | <p>28</p>  <p>x6 Bolt M5x16</p> | <p>40</p>  <p>x12 Washer M5</p> | <p>42</p>  <p>x6 Nylock Nut M5</p> |
| <p>47</p>  <p>x3 Rubbers
Side - 225mm / Front - 1200mm</p> | | | | | |

Step 11 - Preparation of the AFN Bullbar | Front Bumper

Installation

Before inserting the **AFN Bullbar | Front Bumper(1)** on the vehicle there are some details that we advise to do first (so, place it on a flat working surface).

Start by fitting the **Left Headlight Flap(16)** on the **AFN Bullbar | Front Bumper(1)**.

Use 3x Bolts **M5x16(28)** with 6x Washers **M5(40)** and 3x Nylock Nuts **M5(42)**.

Repeat this step for the other side using the **Right Headlight Flap(15)**.

Once everything is correctly fitted, **Give the final torque on all bolts.**

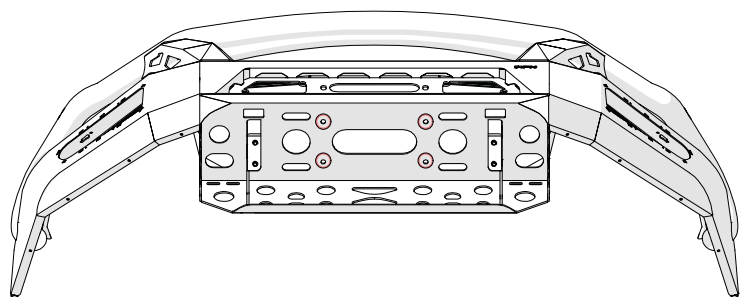
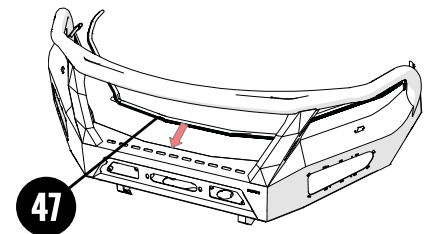
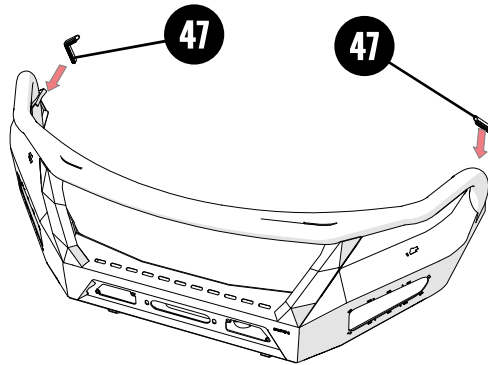
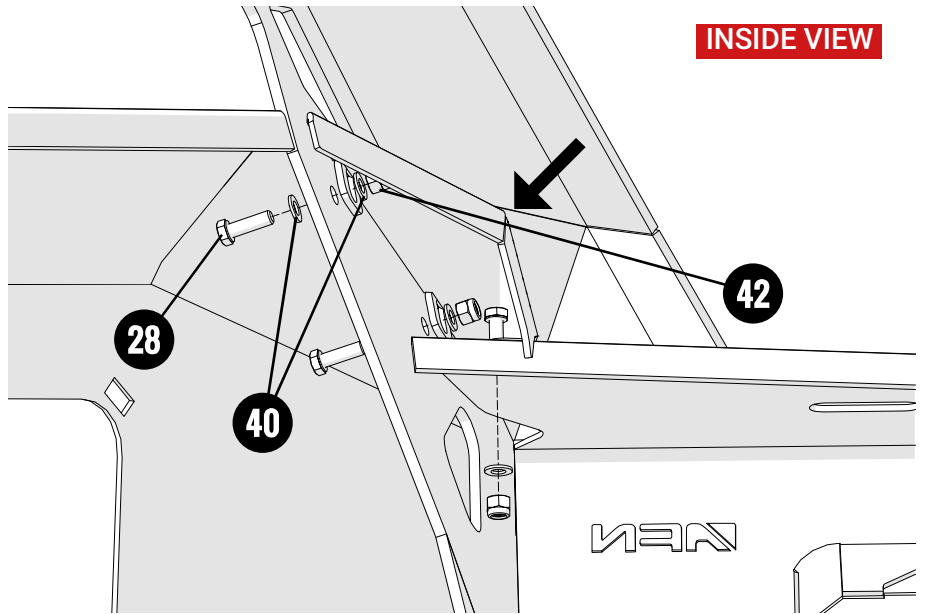
Once that is done, fit all the **Rubbers(47)** supplied, just like the image.

Tip1:
You may use a rubber mallet for a easy job.

if you have a winch to be mounted, now is the time to do it.

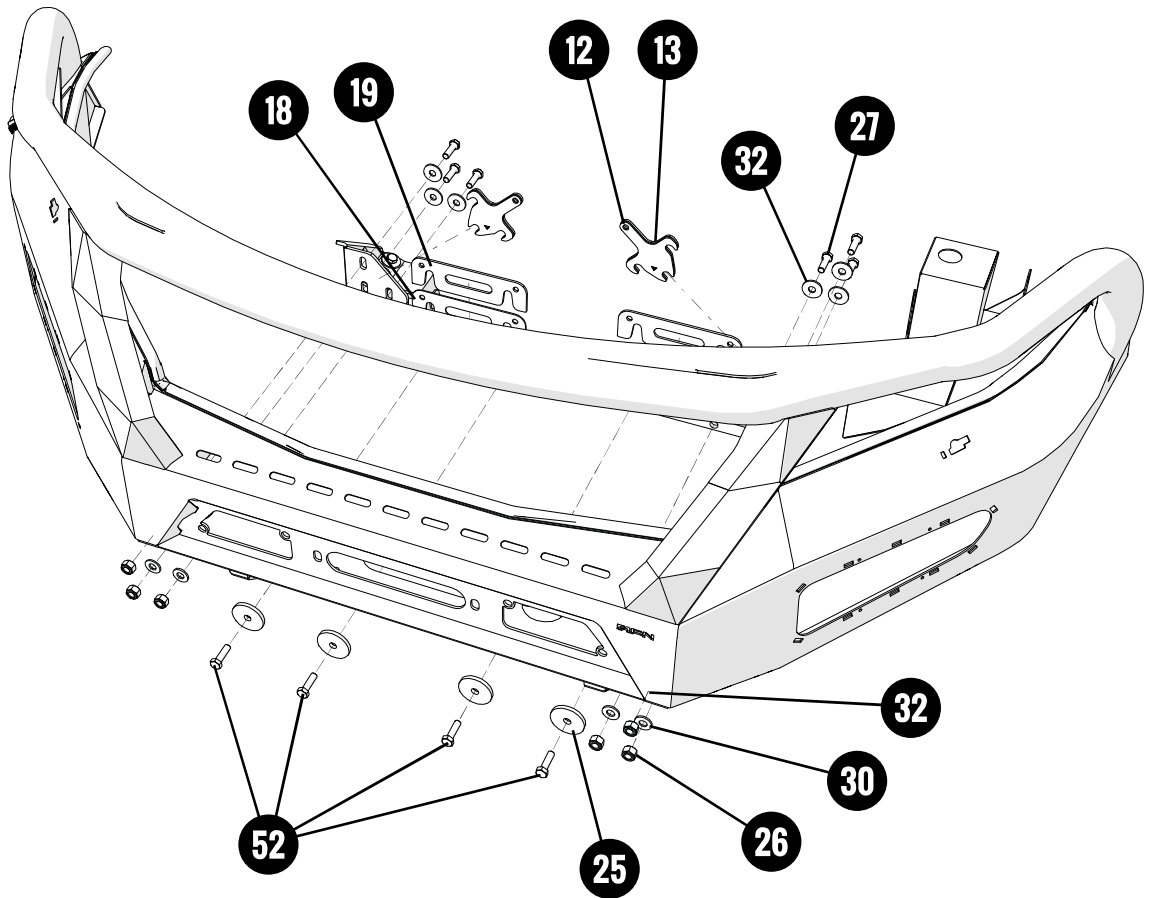
Use the **OEM*** Winch bolts in the highlighted areas.

Once everything is correctly fitted, **Give the final torque on all bolts.**

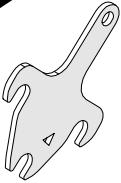
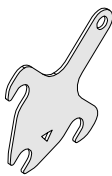
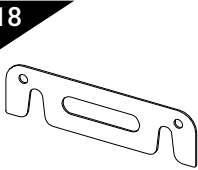
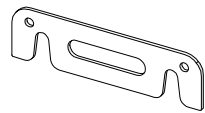
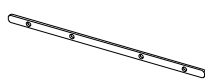
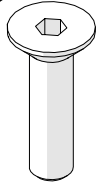
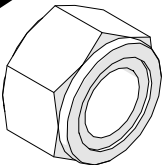
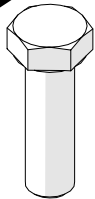
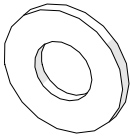
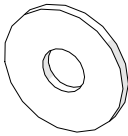
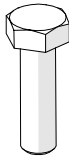


Step 13 - Fitting the AFN Bullbar | Front Bumper on Vehicle

Preview



Parts needed:

- | | | | | | |
|---|---|--|---|--|--|
| <p>12</p>  <p>x2 Back Winch Bracket Shim
4mm thickness</p> | <p>13</p>  <p>x2 Back Winch Bracket Shim
2,5mm thickness</p> | <p>18</p>  <p>x2 Lower Winch Bracket Shim
2,5mm thickness</p> | <p>19</p>  <p>x2 Lower Winch Bracket Shim
4mm thickness</p> | <p>20</p>  <p>x1 Central Winch Bracket Shim
8mm thickness</p> | <p>25</p>  <p>x4 Round Washer</p> |
| <p>26</p>  <p>x12 Nylock Nut M12</p> | <p>27</p>  <p>x6 Bolt M12x40</p> | <p>30</p>  <p>x4 Washer M12</p> | <p>32</p>  <p>x8 Washer M12</p> | <p>52</p>  <p>x8 Bolt M10x35</p> | |

Step 13 - Fitting the AFN Bullbar | Front Bumper on Vehicle

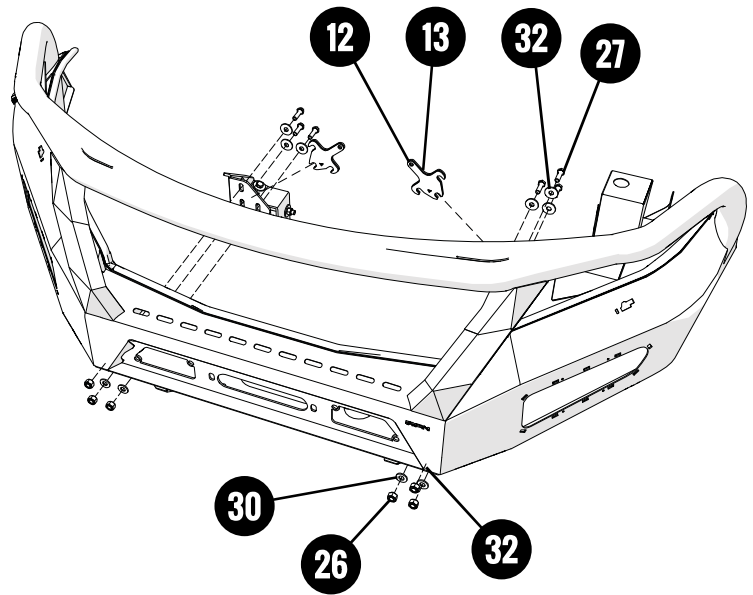
Installation

With help of another person or a crane, lift the **AFN Bullbar | Bumper(1)** and place it over both **Winch Reinforcement(7)** and **(8)**, as showed in the image above.

Use 6x Bolts **M12x40(27)**, with 8x Washers **M12(32)** and 4x Washers **M12(30)** 6x Nylock Nuts **M12(26)**.

Just finger tight all bolts

Do Not tighten yet.



Then, fit the **Central Shim(20)** on the vehicle.

Use 4x Bolts **M12x35(52)** with 4x Shim Washer **M12(24)**.

ATTENTION!

When everything is correctly fitted, please check and use, if needed, the supplied shims with **2,5mm thickness(18)** and **4mm thickness(19)**, to adjust the best way the **Winch Bracket** to the body and **Chassis**.

Top - **2,5mm thickness(13)** / **4mm thickness(12)**;

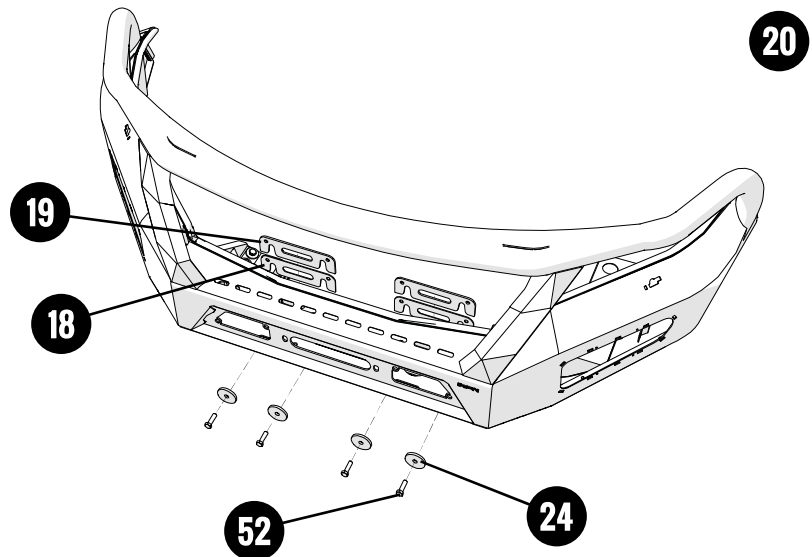
Bottom - **2,5mm thickness(18)** / **4mm thickness(19)**;

Mind that this is a precision task, please take time to correctly assemble this step.

Use them only if you have to, they are optional and may not be needed.

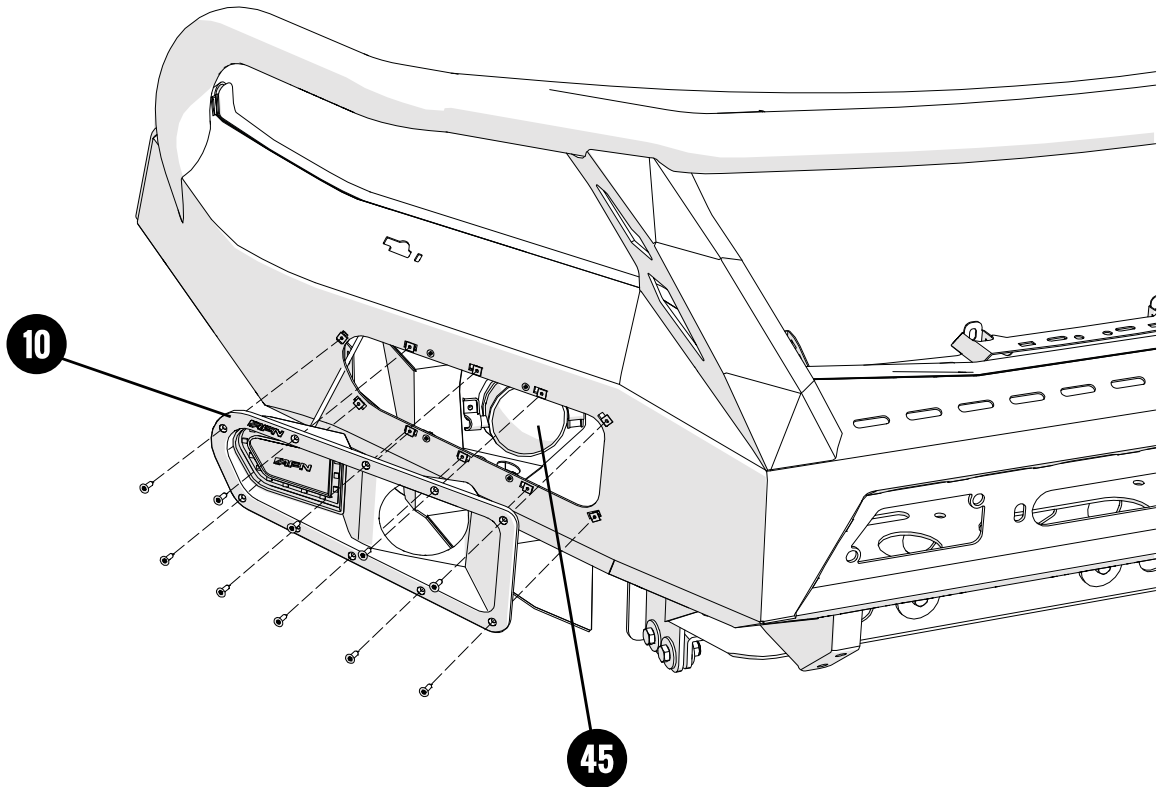
Once everything is correctly fitted, **Give the final torque on all bolts.**

Check the image on the right to see that the **AFN Bullbar | Bumper(1)** must have an equal gap (**10-15 mm**) on both sides.

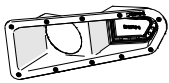
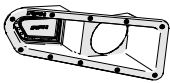
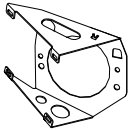
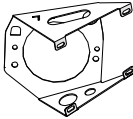
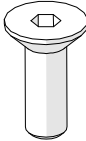
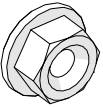
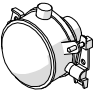

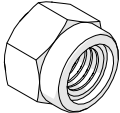
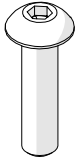


Step 14 - Fitting the AFN Led Lights in the AFN Bullbar | Bumper

Preview



Parts needed:

- | | | | | | |
|--|--|--|---|--|---|
| <p>9</p>  <p>x1 Kit LED Lights
Right Side</p> | <p>10</p>  <p>x1 Kit LED Lights
Left Side</p> | <p>21</p>  <p>x1 Aluminium Bracket
Right Side</p> | <p>22</p>  <p>x1 Aluminium Bracket
Left Side</p> | <p>33</p>  <p>x8 Bolt M4x12</p> | <p>34</p>  <p>x8 Flange Nut M4</p> |
| <p>45</p>  <p>x1 Fog Light
Right Side</p> | <p>46</p>  <p>x1 Fog Light
Left Side</p> | <p>48</p>  <p>x4 Nylock Nut M5</p> | <p>49</p>  <p>x8 Bolt M5x20</p> | | |

Step 14 - Fitting the AFN Led Lights in the AFN Bullbar | Bumper**Installation**

Take on **Right Fog Light(45)** and fit it into the **Right Aluminium Bracket(21)**.

Use 2x Bolts **M5x20(49)** with 2x Nylock Nuts **M5(48)**. Please check the illustration to correctly fit this part.

Then, fit **Right Aluminium Bracket(21)** in the **AFN Bullbar | Front Bumper(1)** using 4x M4x16(**33**) and 4x Flange Nut M4(**34**).

Once the **AFN Bullbar | Bumper(1)** is in place, it's time to fit the **AFN Led Lights**.

But first we advise to fit 10x Plastic Nuts **M4**.

Tip1:

You may use a rubber mallet to easily fit the 10x Plastic Nuts.

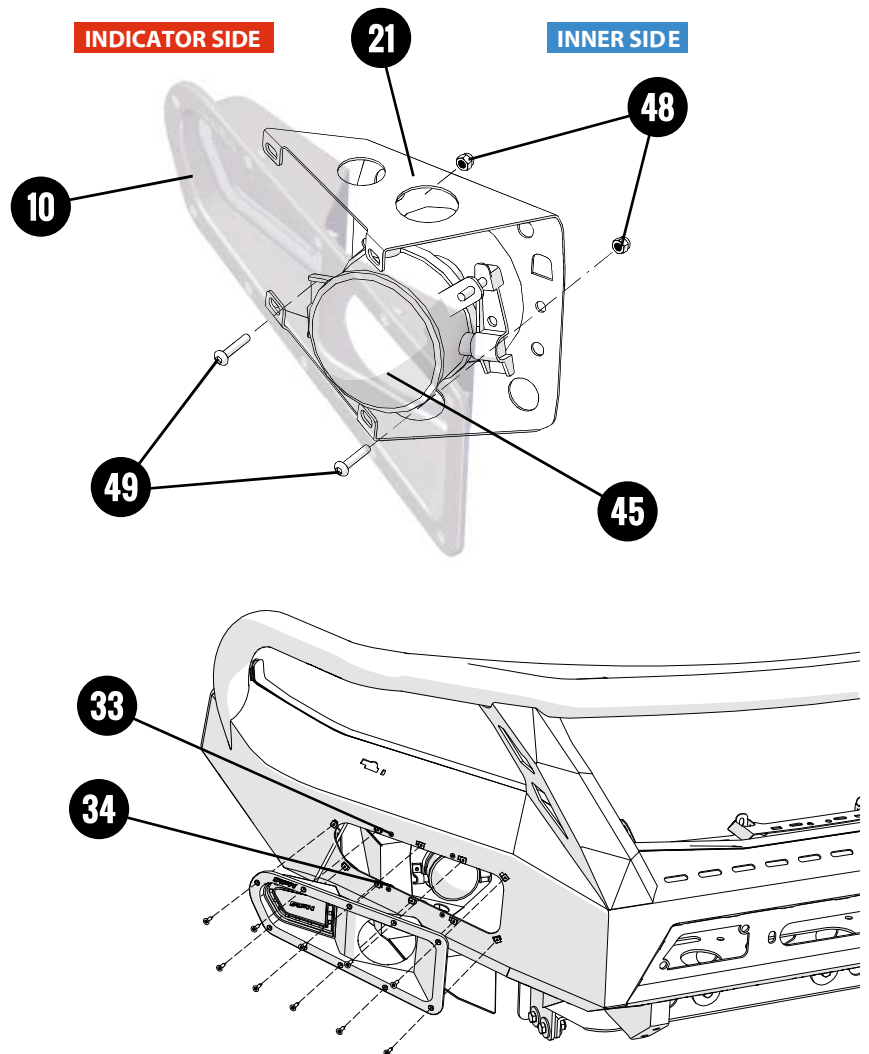
Take on the **Right Kit Led Lights(10)** and fit it into the **AFN Bullbar | Front Bumper(1)** using 10x Bolts M4x16 (*They go with AFN LED Light kit*).

Please be in mind that there is no need to overtight these bolts, because the rubber masks will be crushed causing an unpleasant look.

Repeat this step for the other side with **Left AFN Led Lights(9)** using 10x Bolts M4x16.

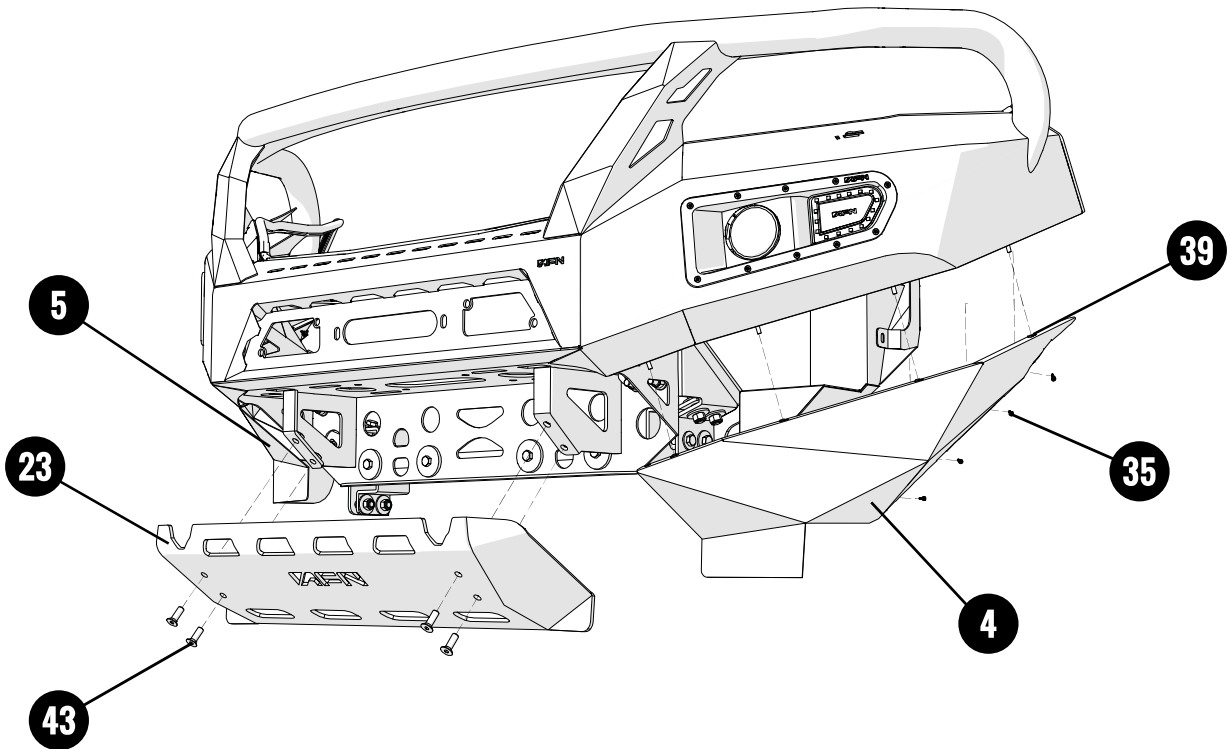
If you done it correctly it should look like the image on the right.

We **advise to check** if the lights, parking sensores and Headlight Washer **are operating smoothly, before proceeding**.

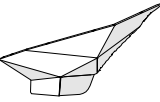
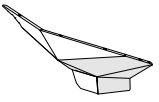

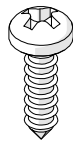
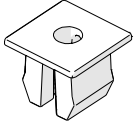
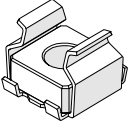
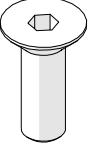
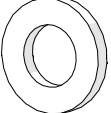
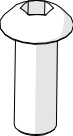


Step 15 - Fitting the Flaps and Front Skid Plate in the AFN Bullbar | Bumper

Preview



Parts needed:

- | | | | | | |
|--|--|--|--|--|--|
| 4
 | 5
 | 23
 | 35
 | 36
 | 39
 |
| x1 Left Flap | x1 Right Flap | x1 Front Skid Plate | x8 Bolt M10x30 | x8 Plastic Nut M3,5 | x8 Cage Nut M6 |
| 43
 | 44
 | 50
 | | | |
| x4 Bolt M10x30 | x8 Washer M6 | x8 Bolt M6x16 | | | |

Step 15 - Fitting the Flaps and Front Skid Plate in the AFN Bullbar | Bumper

Installation

Take on **Left Flap(4)** and fit it the **AFN Bullbar | Front Bumper(1)**.

But first on the rear part must be fitted 4x Plastic Nuts **M3,5(36)**.

Fit 4x Cage Nuts **M6(39)** on top of the **Left Flap(39)**.

Tip1:
You may use a rubber mallet to easily fit the 4x Plastic Nuts(36).

Tip2:
You may use a screwdriver to easily fit the 4x Cage Nuts(39).

Once that is done fit the top of the **Left Flap(4)** in the **AFN Bullbar | Front Bumper(1)**.
Use 4x Bolts **M6x16(50)**, with 4x Washers **M6(44)**.

Push the **Left Flap(4)** to the **OEM*** plastic fenders and mark the cut line, then cut **OEM*** plastic fender.

Mark a hole on the inner side of wheel fender.
Drill a **7mm** diameter hole and fix the flaps through these holes using 4x Bolts **M3,5x16(35)**.

Repeat all these steps on the other side for the **Left Flap(20)**.

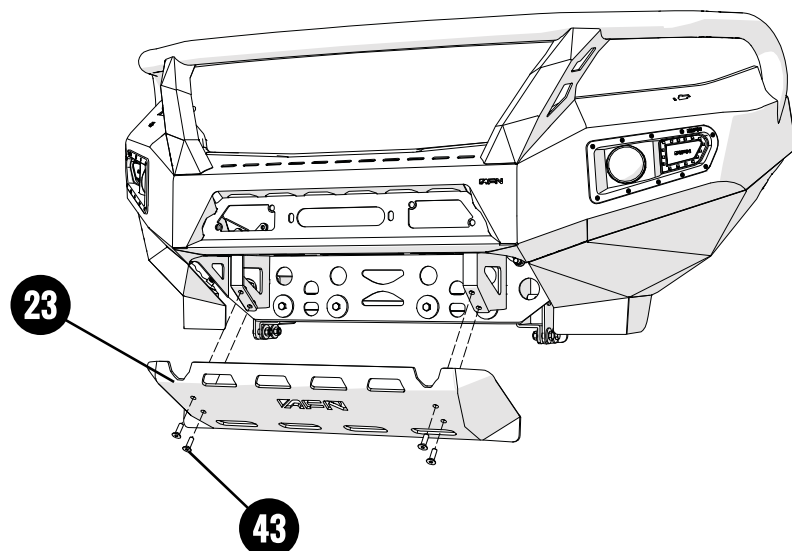
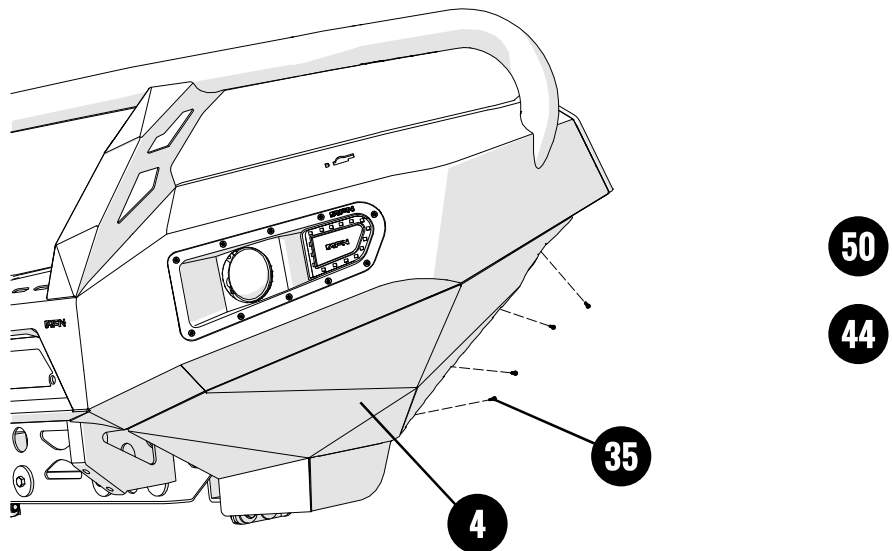
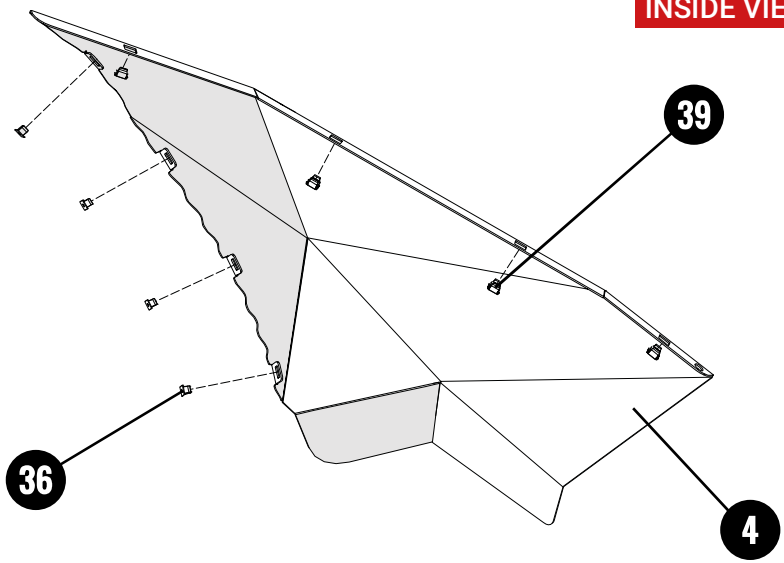
Give the final torque.

Finally, take on **Front Skid Plate(23)** and fit it beneath **AFN Bullbar | Front Bumper(1)**.

Use 4x Bolts **M10x30(43)**.

Give the final torque.

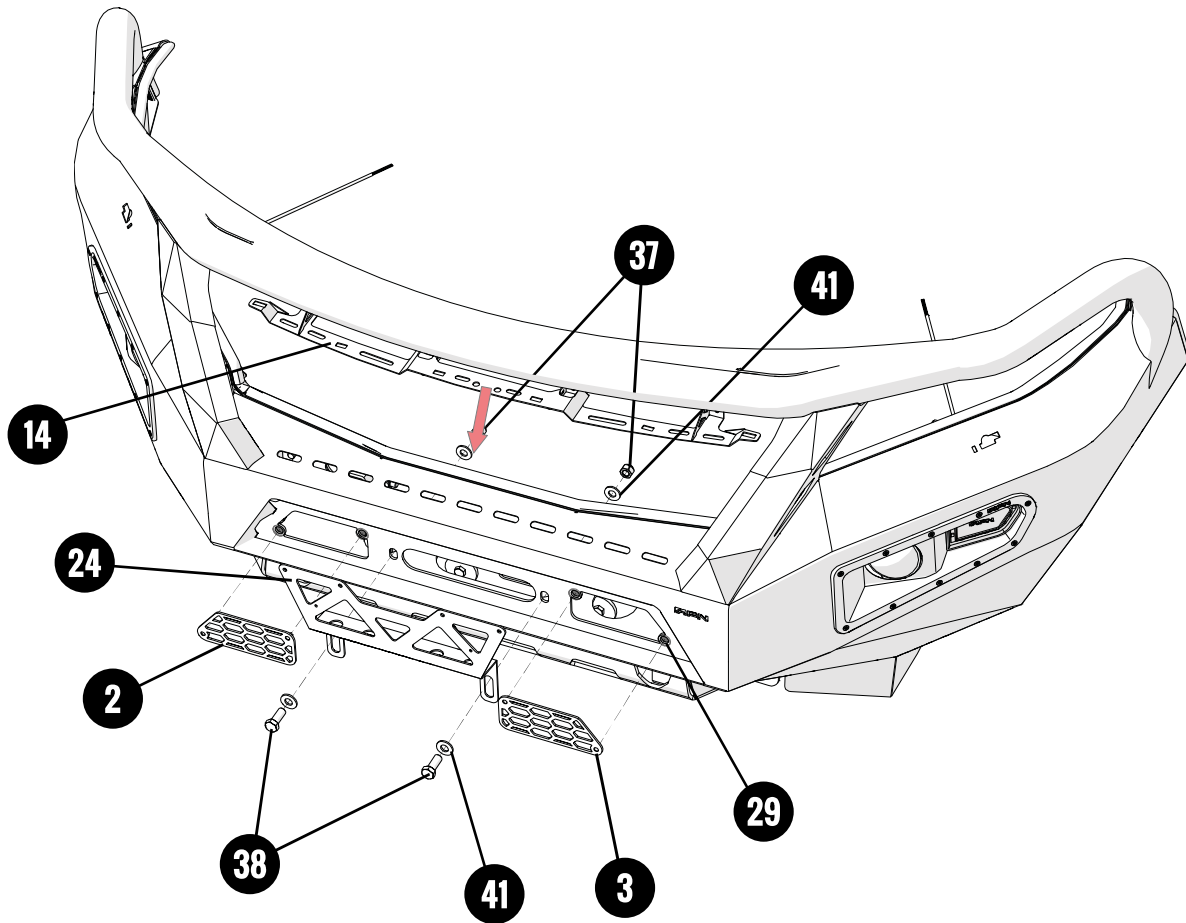
INSIDE VIEW



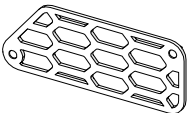
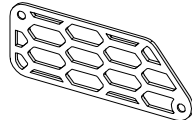

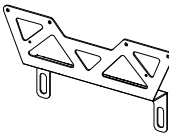
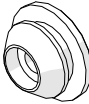
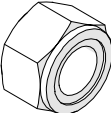
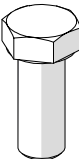
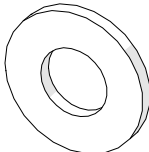
*OEM - Original Equipment Manufacturer

Step 16 - Fitting the Plate Bracket and AFN Grill Bracket

Preview



Parts needed:

- | | | | | | |
|--|---|---|---|--|--|
| <p>2</p>  <p>x1 Bumper Grill
Right Side</p> | <p>3</p>  <p>x1 Bumper Grill
Left Side</p> | <p>14</p>  <p>x1 Grill Bracket</p> | <p>24</p>  <p>x1 Plate Bracket</p> | <p>29</p>  <p>x4 Rubber Nut</p> | <p>37</p>  <p>x2 Nylock Nut M12</p> |
| <p>38</p>  <p>x2 Bolt M12x30</p> | <p>41</p>  <p>x4 Washer M12</p> | | | | |

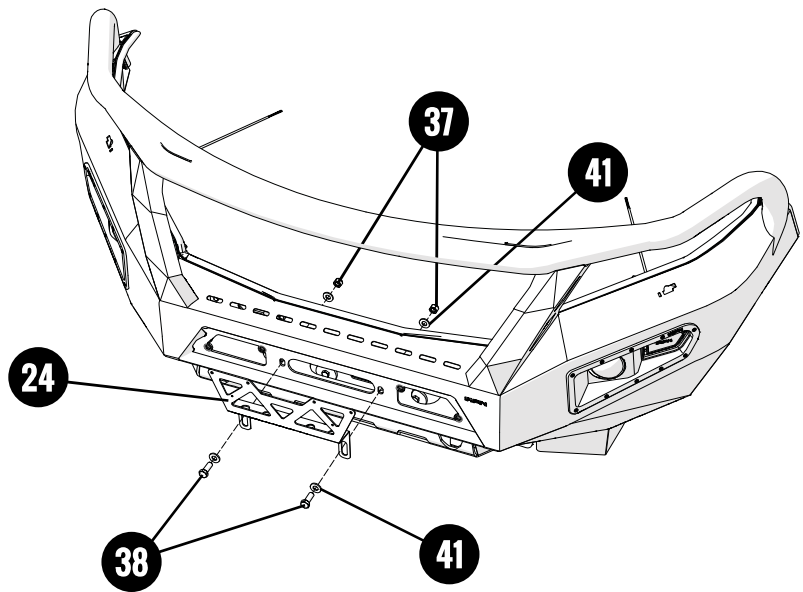
Step 16 - Fitting the Plate Bracket and AFN Grill Bracket

Installation

Once the **AFN Bullbar | Bumper(1)** is in place, it's time to fit the **Plate Bracket(24)**.

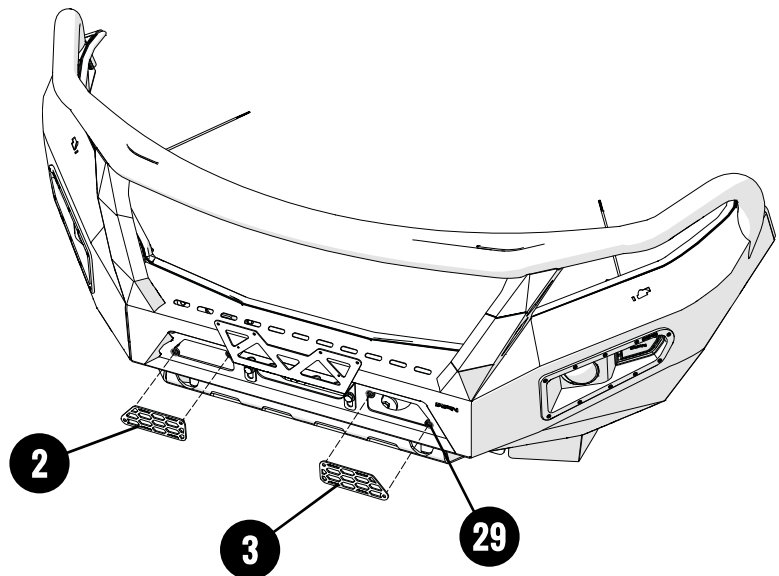
Use 2x Bolts **M12x30(38)**, with 4x Washers **M12(41)** and 2x Nylock Nuts **M12(37)**.

Give the final torque.



Then, take on both Bumper Grills(2) and (3) and fit them in the **AFN Bullbar | Bumper(1)**.

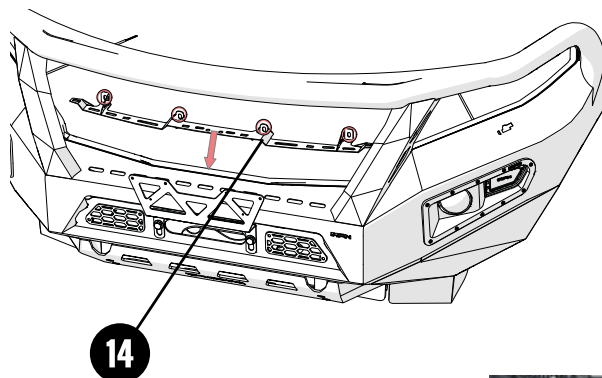
Use 4x Rubber Nuts(29).



Finally, fit the supplied **Grill Bracket(14)** on **OEM* Grill**.

Use 4x **OEM*** Bolts.

Check the Highlighted areas, where the **OEM*** Bolts must be used.



*OEM - Original Equipment Manufacturer

Step 17 - Final Result

Your new **AFN BULLBAR | FRONT BUMPER** is now installed on your **Mitsubishi L200 MR!**

Have Fun!



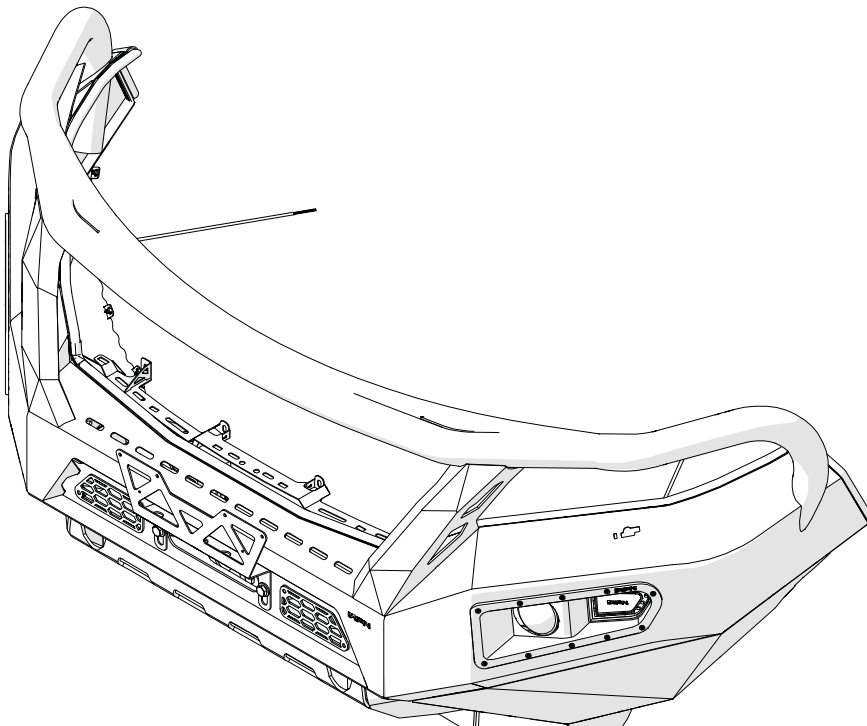
Reminder !

Before operating a vehicle fitted with an **AFN Bullbar | Front Bumper**:

- Make sure all fittings are tightened
- Check winch operation (if installed)
- Check all electrical wiring attached to lights and parking sensors (if installed)

Maintenance | Care

Periodically check and tighten all nuts. Stripped, fractured or bent bolts or nuts need to be replaced.





3 L200 CATALOGUE

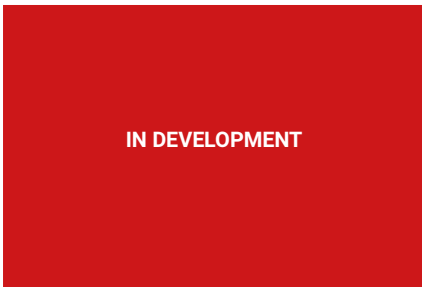
AFN 4x4 Accessories is becoming a well known brand for its products due to its quality, design and safety which are challenged for thousands of people everyday, worldwide.

In its diversity of products we can include, with all-terrain quality, protection, safety and aesthetic accessories. With that being said, **AFN 4x4** has some other accessories that every offroad passionate would like to have, such as **Body Protections, Underbody Protections, Light Holders, Storage** (Wheel Supports and Jerry-can carriers) and others related to the **Aesthetics**.

We have some 4x4 accessories that combine with the original model lines that if you take a closer look you will see that they don't appear to be an accessory, but a must-have.

Please be in mind that some accessories are available only to some models.

Feel free to check all the products that may interest you in our website at: www.afn.pt

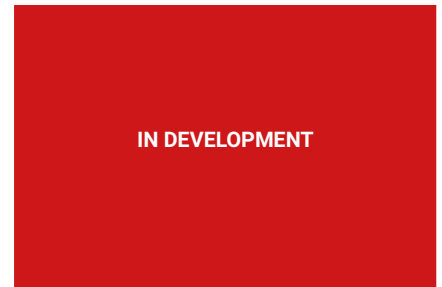


IN DEVELOPMENT

Ref.: 4800XXXX - Front Bumper



Ref.: 48002648 - Bullbar with fog lights



IN DEVELOPMENT

Ref.: 4800XXXX - Side Steps



Ref.: 48002647 - Sump Guard Skid Plate (*Al)



Ref.: 48002284 - Gearbox Skid Plate (*Al)



Ref.: 48002283 - Transfer Box Skid Plate (*Al)



Ref.: 48002294 - Fuel Tank Skid Plate (*Al)

*Al - Aluminium

4 WARRANTY TERMS

AFN4x4 products are warranted free from defects in materials and workmanship for a period of two (2) years from the date of initial retail purchase. Third-party components are delivered under the original manufacturer warranty.

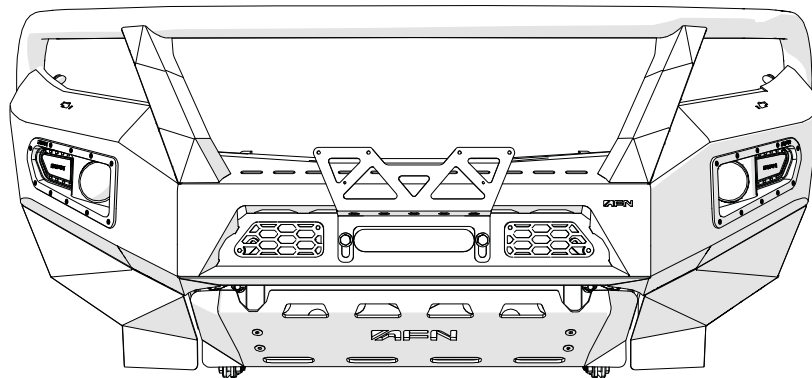
Under the present warranty, **AFN4x4** obligation shall be limited to repairing, replacing or crediting, at its option, any part found to be defective.

AFN4x4 does not warrant or make any representations concerning its goods when:

- a) The products are purchased used, scratch and dent or when the box was opened.
- b) The products are not installed, used, and maintained strictly in accordance with **AFN4x4**'s instructions.
- c) The products are installed in vehicles that are used in competition.
- d) The products are installed in vehicles fitted with aftermarket non-standard tires with diameters in excess of OEM* specifications.
- e) The products are installed in vehicles with engines that have been modified to increase performance.

AFN4x4 will not be responsible for goods damaged in transit. If any goods arrive damaged, please contact the **AFN4x4** as soon as possible. **AFN4x4** will assess and may arrange to have the damaged goods returned to a **AFN4x4** Distributor and arrange for a replacement of the goods. Damaged goods must be returned in the condition received by you with all original packaging, accessories and/or manuals. If they are not returned in same condition sent there may be an additional fee charged.

To file a claim under this warranty please contact **AFN4x4** at +351 256 808 300 or via email at geral@afn.pt to request a *Returned Goods Authorization (RGA)* number and instructions for returning the defective component.





5 AFN 4x4 PARTNERS



01

Portugal

Rua da Madeira, 113
Z. Industrial das Travessas
3700-176 S. João da Madeira

T:(00351) 256 838 300/7
geral@afn.com
www.afn.com

02

Espanha

Carretera de Moledo 8
pol. ind. de Miraflores, Nave 20
36214, Vigo (Pontevedra)

T:(0034) 986 378338
info@4x4misutonida.com
www.4x4misutonida.com

03

Austrália

19 Flinders Parade
North lakes
QLD 4509

T:(0061) 1300 236 494
sales@afn4x4.com.au
www.afn4x4.com.au

04

Costa Rica

Fort overlanding CR,
Alajuela

T:(0011) 506 8430 0211
info@fortoverlanding.com
www.fortoverlanding.com

DON'T JUST SETTLE FOR THE SAME OLD BULL



WWW.AFN.PT | SALES@AFN.PT | FACEBOOK.COM/AFN4X4

WELCOME TO THE AFN FAMILY



União Europeia
Fundo Europeu de
Desenvolvimento Regional

