

FITTING INSTRUCTIONS

WARNING:

Before you begin installation, read all instructions thoroughly.
Proper tools will improve the quality of installation and reduce the time required.

- This product should be installed as demonstrated in the *Product «Fitting Instructions»*;
- The specified parts, will only fit the models specified by **AFN**;
- Do not modify any component of the product;
- It is recommended that this product is installed by specialized and trained personnel;
- AFN doesn't take responsibility for changes made in the vehicle by its manufacturer;
- Work safely and use specialized tools at all times;
- **Always use protective gear.**

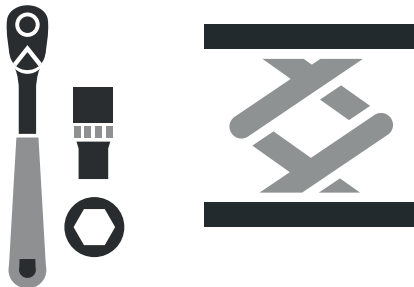


Size	Torque Nm	Torque lbft
M6	9 Nm	7 lbft
M8	22 Nm	16 lbft
M10	44 Nm	32 lbft
M12	77 Nm	57 lbft

Mouting Time

- 30 minutes
- 1 persons (recommended)

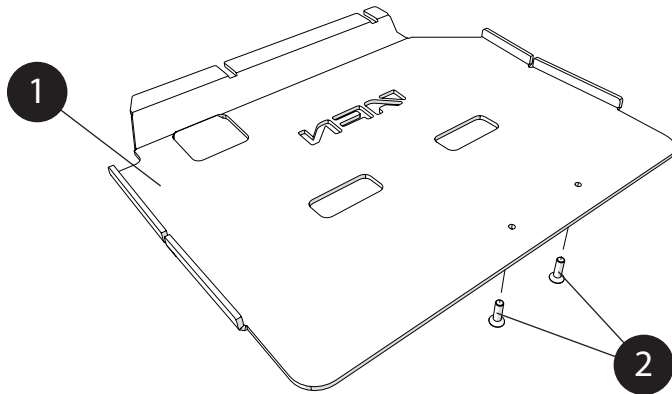
Tools Required



- Ratchet wrench
- Lift

STEP 1 - FITTING AFN SUMP GUARD SKID PLATE

NUMBER	REF	QUANTITY
1	46008980	1x
2	45000045	2x



Fit the AFN Sump Guard Skid Plate(1) on the **Vehicle**.

It must enter the front part first.

Then, use supplied Bolts, 2x **M10x35(2)**.

Once everything is in place,
Give the Final torque.

STEP 2 - FINAL RESULT

