

# CRAFTED LIKE NO OTHER

DON'T JUST SETTLE  
FOR THE SAME

OLD BULL

OWNER MANUAL

ISUZU  
D-MAX 2021+

**AFN**<sup>®</sup>  
4 X 4 ACCESSORIES



## WELCOME TO THE AFN FAMILY

This manual contains the **Isuzu D-MAX +2021** fitting instructions for:

**Sump Guard Skid Plate Ref.: 48002732**

**Gearbox Skid Plate Ref.: 48002733**

# 1 INTRODUCTION

## The Company

Founded in 1995, AFN - 4x4 Accessories dedicates itself to the production and commerce of all-terrain accessories. Its constant concern in its customers total satisfaction, and in the ideals of innovation and transformation have granted a position of notability both in the national and international panorama.

The only company in Portugal in the mass production of 4x4 accessories, relies on specialized and experienced technicians, with the most adequate knowledge, to an efficient response capability to its customers demands.

Thanks to the specialization in the several areas of design and manufacture and to a constant investment in technology, AFN has been broadening its wide range of products, without ever neglecting the quality factor.

## 4x4 Accessories

In its diversity of products we can include, with all-terrain quality, protection, safety and aesthetic accessories.

And it is here that AFN invest on the best technology, the best cut precision of the raw material, and the transformation of products with the quality recognized in the marketplace.

AFN has, at its disposal, resources to test and analyse the resistance of its products and stands in the front row regarding the European homologation of materials dedicated to all terrain.

The contact with the most important test laboratories for vehicles, both in England, Spain and Germany, provides AFN with the know-how to manufacture a wide range of quality products.

## Our Design Approach

AFN designs each accessory taking into consideration the original model lines and fitting points. We refuse to have a "one design fits all" solution and we are always looking forward to embrace new challenges on how to adjust a new product into a new model!

The days of just throwing on a bit of steel together to form a protection system are gone. AFN is leading the way modern vehicle protection components are manufactured. Other will follow, and it won't be long where the AFN approach to Styling, Fit, Form and Function will become the benchmark for all other manufacturers.



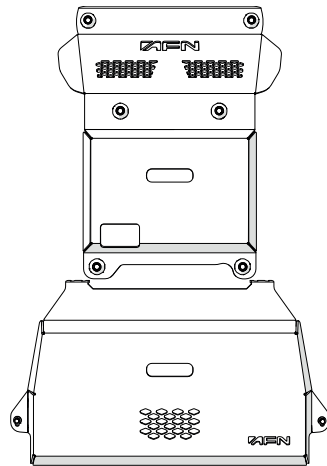


## INDEX

### AFN 4x4 Accessories

Product: **Sump Guard Skid Plate**  
Part Ref.: **48002732**

Product: **Gearbox Skid Plate**  
Part Ref.: **48002733**



Introduction 2

1 Checklist 4  
Product 48002734

2 Fitting Instructions 6

3 D-MAX Catalogue 13

4 Warranty Terms 14



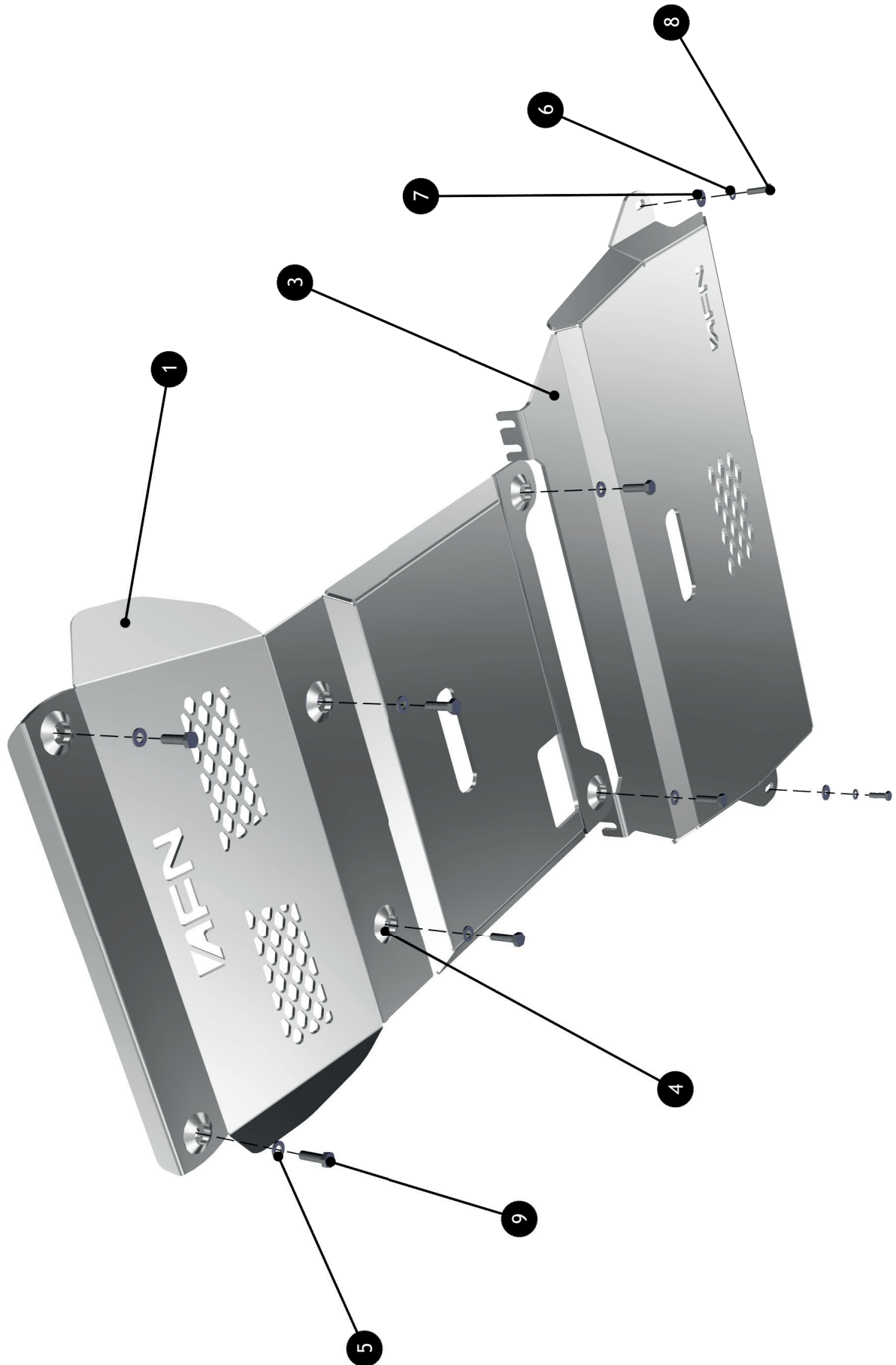
# 1 CHECKLIST



- In this section you have a checklist with all parts included for the installation of your AFN product
- This product should be installed as demonstrated in the product fitting instructions
- If verified that any component is damaged, please contact your nearest AFN distributor
- The specified parts will only fit in the models specified by AFN
- Do not modify any component of the product

This checklist is for both products **48002732** and **48002733**.

NUMBER	DESCRIPTION	REFERENCE	QTY
1	Sump Guard Skid Plate - Isuzu D-MAX 2021	46009804	1x
2	Round Shim M10 ( <b>11mm Thickness</b> )	46009806	2x
3	Gearbox Skid Plate - Isuzu D-MAX 2021	46009814	1x
4	Aluminum Sleeve	46010187	6x
5	Washer M10 ( <i>Small</i> )	45001254	6x
6	Washer M8 ( <i>Small</i> )	45001255	2x
7	Washer M8 ( <i>Big</i> )	45001267	2x
8	Bolt M8x30	45001520	2x
9	Bolt M10x35x1.25	45001621	6x



## 2 FITTING INSTRUCTIONS



### WARNING:

Before you begin installation, read all instructions thoroughly.  
Proper tools will improve the quality of installation and reduce the time required.

- This product should be installed as demonstrated in the *Product «Fitting Instructions»*;
- The specified parts, will only fit the models specified by **AFN**;
- Do not modify any component of the product;
- It is recommended that this product is installed by specialized and trained personnel;
- AFN doesn't take responsibility for changes made in the vehicle by its manufacturer;
- Work safely and use specialized tools at all times;
- **Always use protective gear.**

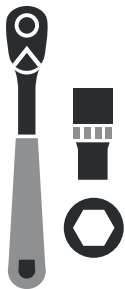


Size	Torque Nm	Torque lbft
M6	9 Nm	7 lbft
M8	22 Nm	16 lbft
M10	44 Nm	32 lbft
M12	77 Nm	57 lbft

### Mouting Time

- 2 hours
- 1 person (recommended)

### Tools Required



- Wrench
- Ratchet wrench
- Lift

## Step 1 - Removing the OEM\* Underbody Protections

We advise to put the vehicle in a lift so it's easier to remove and fit all the **Underbody Protections**.



Once the vehicle is on the lift start by removing all the **OEM\* Underbody Protections** first.

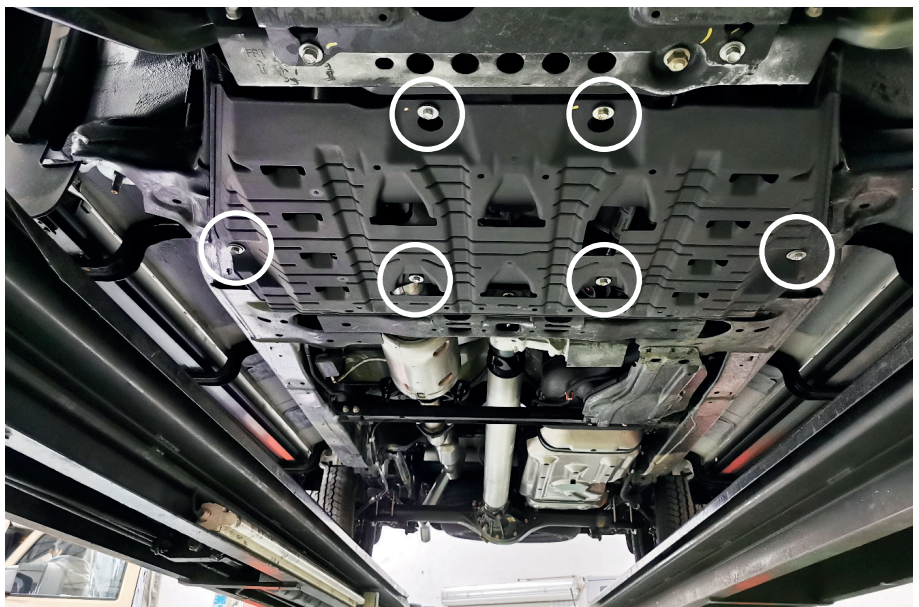
### **ATTENTION!**

Please note your vehicle's version, in our case we got all the **OEM\* Underbody Protections** from factory, that's why we need to remove them first.



Start by removing the **OEM\* Gearbox Protection**.

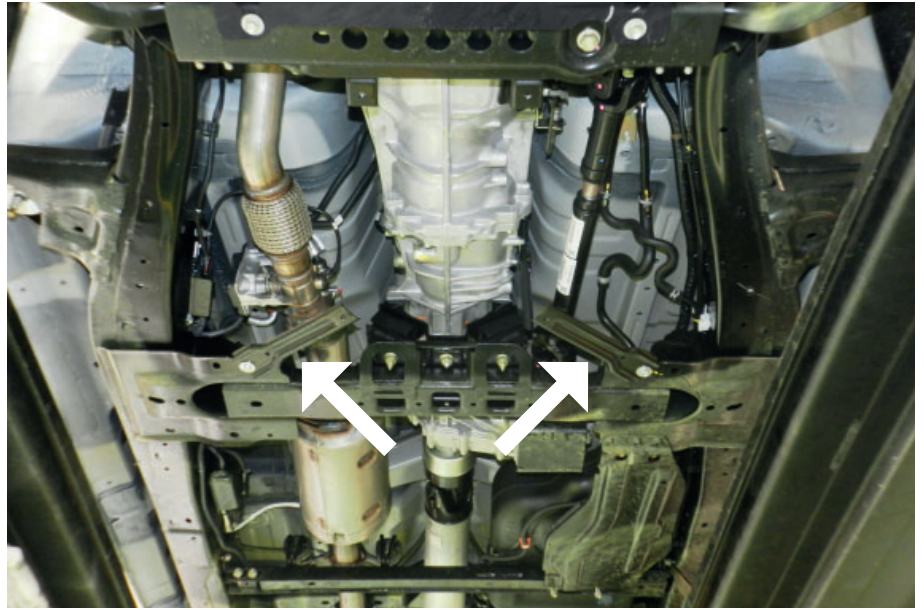
Unscrew the 6x **OEM\* Bolts**.



\*OEM - Original Equipment Manufacturer

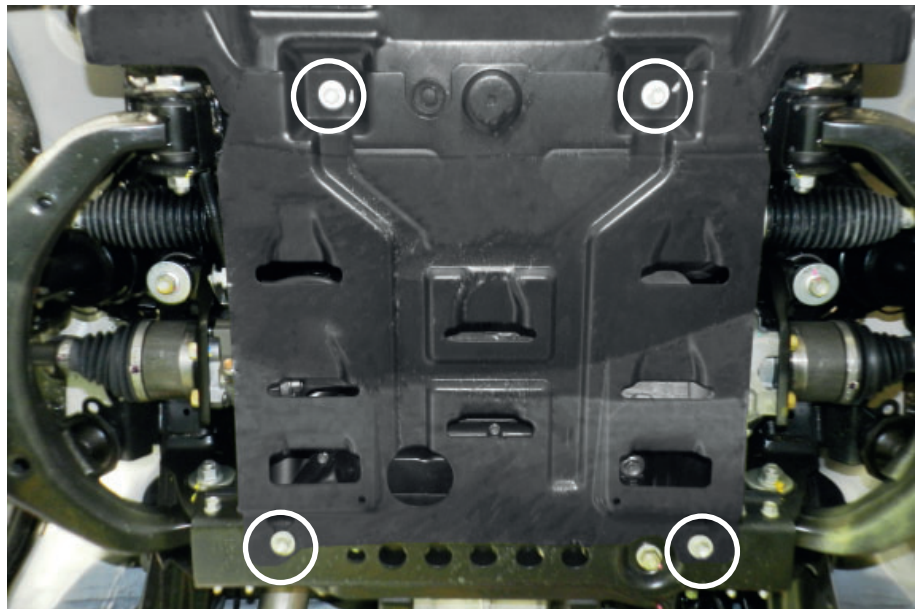
## Step 2 - Removing the OEM\* Underbody Protections

Once removed, this is what it should look like.



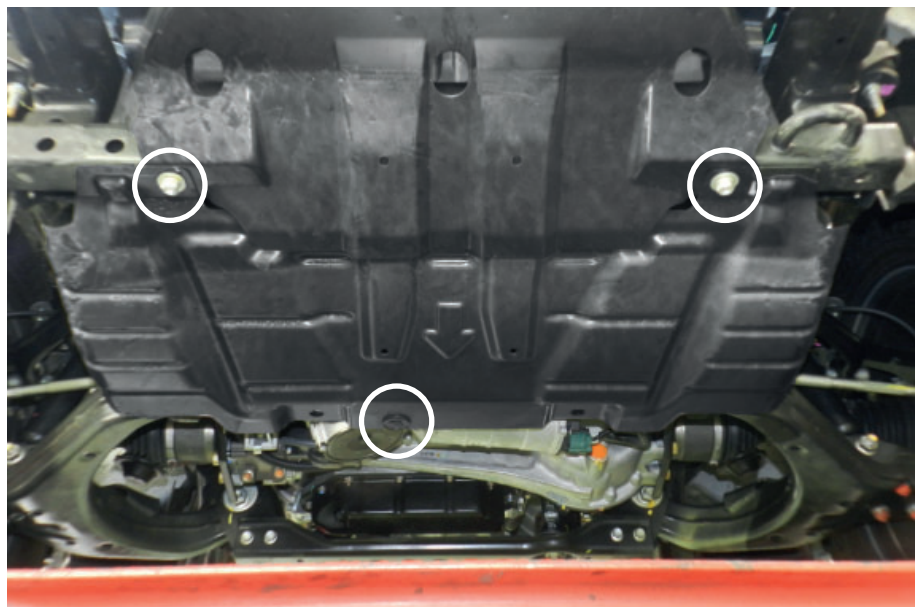
Once that is done, remove the *OEM\** Transferbox Underbody Protection.

Unscrew the 4x *OEM\** Bolts.



Then, remove the *OEM\** Sump Underbody Protection.

Unscrew the 2x *OEM\** Bolts and 1x Plastic pin.



\*OEM - Original Equipment Manufacturer

### Step 3 - Vehicle without OEM\* Underbody Protections

Once all OEM\* Underbody Protections are removed, this is what the underneath of the vehicle should look like.



\*OEM - Original Equipment Manufacturer

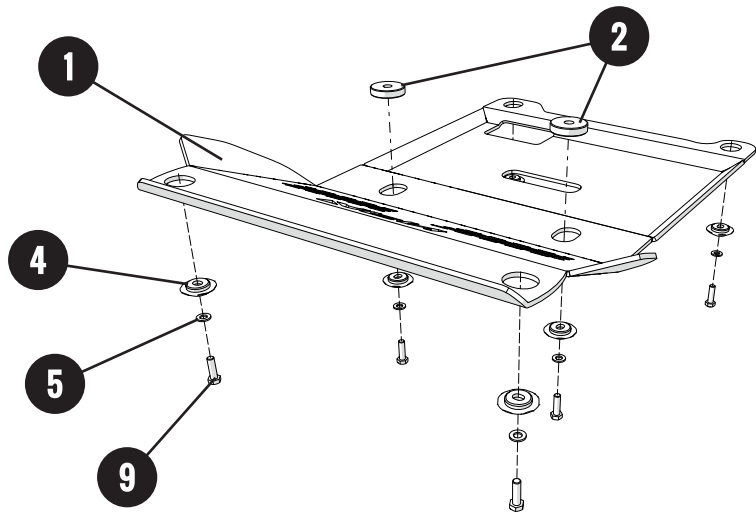
**Step 4 - Fitting the AFN Sump Guard Skid Plate in the Vehicle**

**Preview**

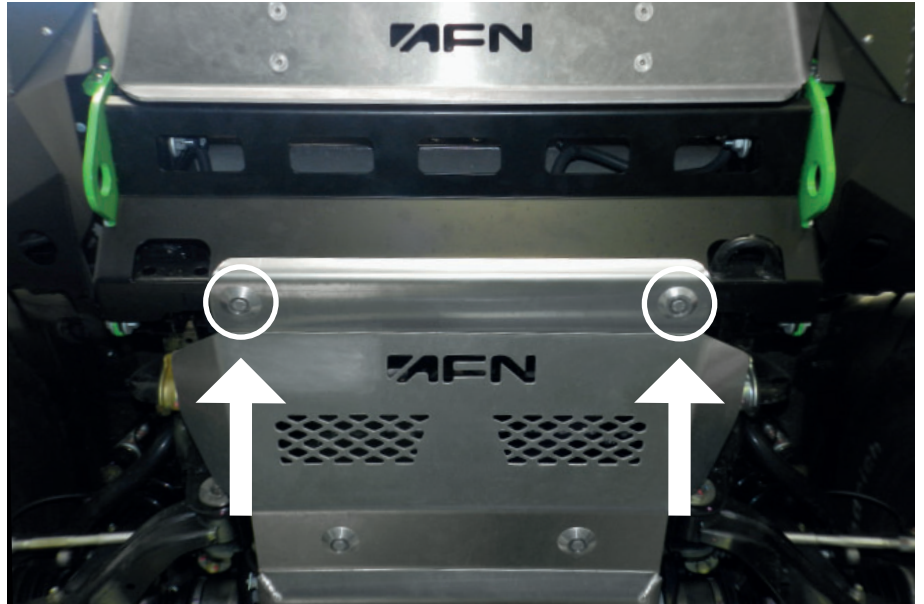
Start by fitting the **Sump Guard Skid Plate(1)** in the vehicle.

Use 6x Bolts **M10x35x1.25(9)** with 6x Washers **M10(5)** and 6x Aluminum Sleeves(4).

Please note the 2x Round Shims **M10 (2)** that are fitted in the middle.



Please note that if you have the **AFN Bullbar or Front Bumper** fitted, you'll have to replace both highlighted bolts, shown in the image.



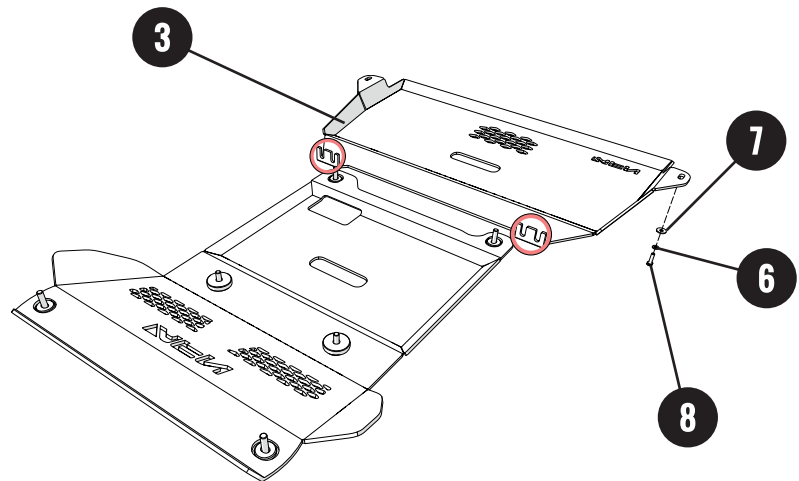
Once that is done, fit the **Sump Guard Skid Plate** using the bolts on the technical illustration, above.



**Step 5 - Fitting the AFN Gearbox Skid Plate in the Vehicle****Installation**

Fit the **Gearbox Skid Plate(2)** in the vehicle.

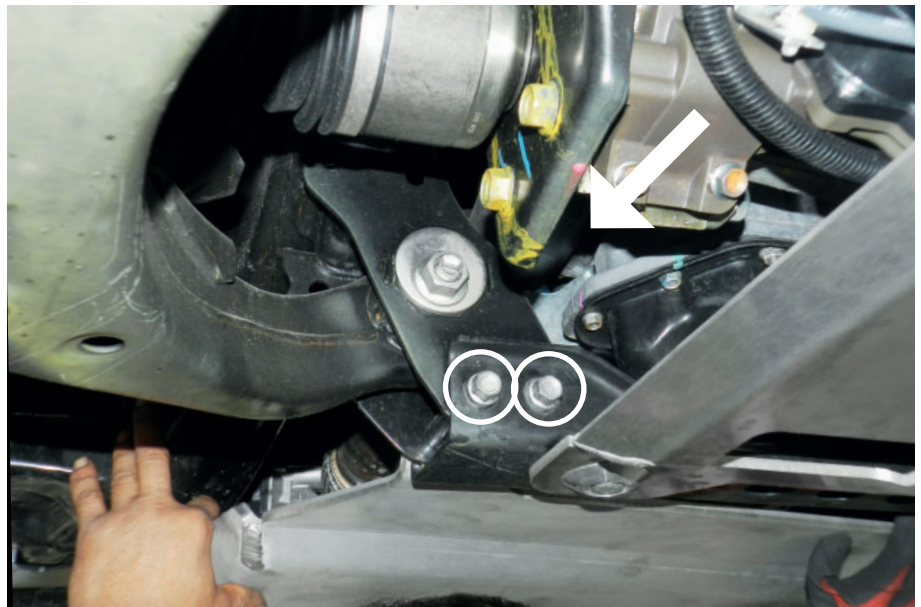
Use 2x Bolts **M8x30(8)** with 2x Washers (Small) **M8(6)** and 2x Washers (Big) **M8(2)**.



Please note on the two red circles on the previous image. That's where the **Gearbox Skid Plate(2)** is going to fit the car.

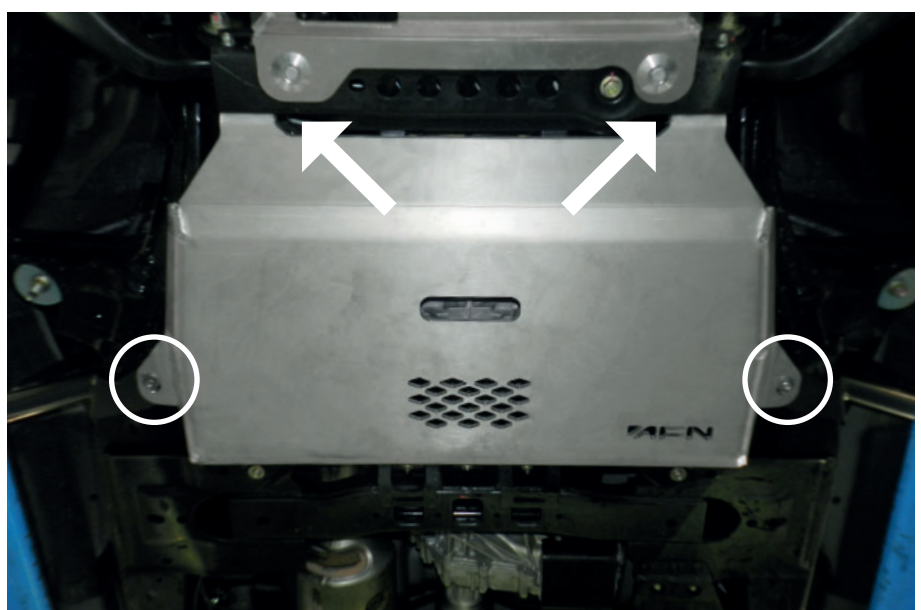
So, loosen the 4x *OEM\** Bolts, 2x on each side.

Then, fit the **Gearbox Skid Plate(2)** as shown, in the image.



Then, use the bolts on the technical illustration, above.

Do not forget to full tight the 4x *OEM\** Bolts, previously loosen.



\*OEM - Original Equipment Manufacturer

## Step 6 - Final Result

Your new **AFN Underbody Protections** are now installed on your **Isuzu D-MAX!**

Have Fun!

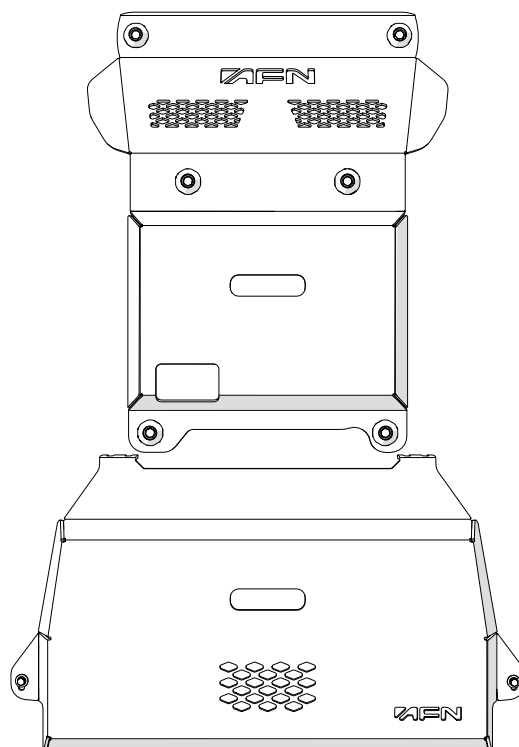


## Reminder !

Before operating a vehicle fitted with an AFN Underbody Protections:  
- Make sure all fittings are tightened

## Maintenance | Care

Periodically check and tighten all nuts. Stripped, fractured or bent bolts or nuts need to be replaced.





## 3 D-MAX CATALOGUE

**AFN 4x4 Accessories** is becoming a well known brand for its products due to its quality, design and safety which are challenged for thousands of people everyday, worldwide.

In its diversity of products we can include, with all-terrain quality, protection, safety and aesthetic accessories. With that being said, **AFN 4x4** has some other accessories that every offroad passionate would like to have, such as **Body Protections, Underbody Protections, Light Holders, Storage** (Wheel Supports and Jerry-can carriers) and others related to the **Aesthetics**.

We have some 4x4 accessories that combine with the original model lines that if you take a closer look you will see that they don't appear to be an accessory, but a must-have.

Please be in mind that some accessories are available only to some models.

Feel free to check all the products that may interest you in our website at: [www.afn.pt](http://www.afn.pt)



Ref.: 48002668 - Bull Bar w/ Provision for OEM Fog light and AFN indicator



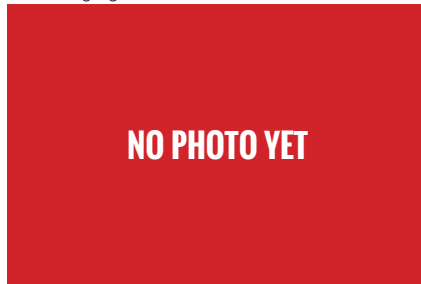
Ref.: 48002772 - Bumper w/ Provision for OEM Fog light and indicator



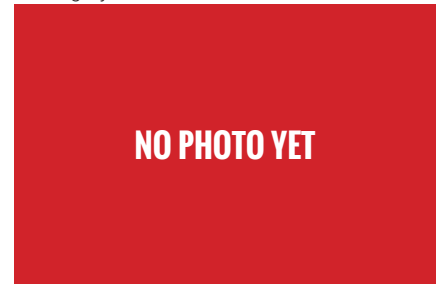
Ref.: 48002768 - Rear Bumper for OEM Towing System



Ref.: 48002725 - Bull Bar w/ Provision for OEM Fog light and indicator



Ref.: 48002725 - Bumper w/ Provision for OEM Fog light and AFN indicator



Ref.: 48002731 - Rear Bumper w/ trailer Hitch



Ref.: 48002732 - Sump Guard Skid Plate



Ref.: 48002733 - Gearbox Skid Plate



Ref.: 48002734 - Side Bars

## 4 WARRANTY TERMS

**AFN4x4** products are warranted free from defects in materials and workmanship for a period of two (2) years from the date of initial retail purchase. Third-party components are delivered under the original manufacturer warranty.

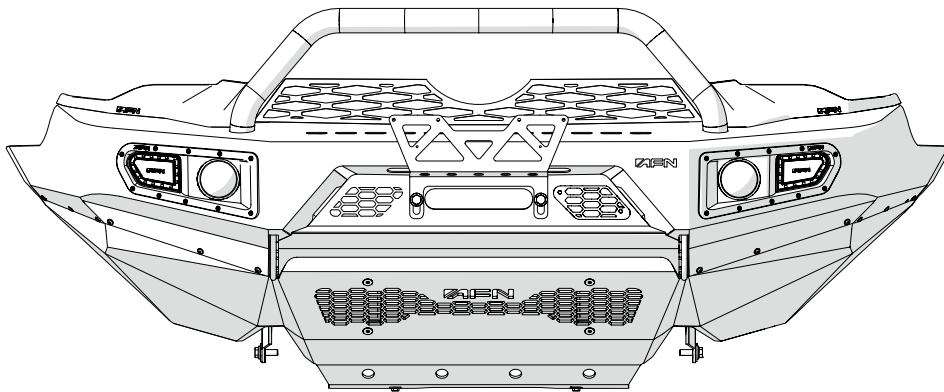
Under the present warranty, **AFN4x4** obligation shall be limited to repairing, replacing or crediting, at its option, any part found to be defective.

**AFN4x4** does not warrant or make any representations concerning its goods when:

- a) The products are purchased used, scratch and dent or when the box was opened.
- b) The products are not installed, used, and maintained strictly in accordance with **AFN4x4**'s instructions.
- c) The products are installed in vehicles that are used in competition.
- d) The products are installed in vehicles fitted with aftermarket non-standard tires with diameters in excess of OEM\* specifications.
- e) The products are installed in vehicles with engines that have been modified to increase performance.

**AFN4x4** will not be responsible for goods damaged in transit. If any goods arrive damaged, please contact the **AFN4x4** as soon as possible. **AFN4x4** will assess and may arrange to have the damaged goods returned to a **AFN4x4** Distributor and arrange for a replacement of the goods. Damaged goods must be returned in the condition received by you with all original packaging, accessories and/or manuals. If they are not returned in same condition sent there may be an additional fee charged.

To file a claim under this warranty please contact **AFN4x4** at +351 256 808 300 or via email at [geral@afn.pt](mailto:geral@afn.pt) to request a *Returned Goods Authorization (RGA)* number and instructions for returning the defective component.





DON'T JUST SETTLE FOR THE SAME OLD BULL

**AFN**<sup>®</sup>  
4 X 4 ACCESSORIES

WWW.AFN.PT | SALES@AFN.PT | FACEBOOK.COM/AFN4X4

# WELCOME TO THE AFN FAMILY



União Europeia

Fundo Europeu de  
Desenvolvimento Regional

**AFN**<sup>®</sup>  
4 x 4 ACCESSORIES