

# CRAFTED LIKE NO OTHER

DON'T JUST SETTLE  
FOR THE SAME  
OLD BULL

OWNER MANUAL

ISUZU  
D-MAX 2021+



# WELCOME TO THE AFN FAMILY

This manual contains the **Isuzu D-MAX +2021** fitting instructions for:  
**Side Bars Ref.: 48002734**

# 1 INTRODUCTION

## The Company

Founded in 1995, AFN - 4x4 Accessories dedicates itself to the production and commerce of all-terrain accessories. Its constant concern in its customers total satisfaction, and in the ideals of innovation and transformation have granted a position of notability both in the national and international panorama.

The only company in Portugal in the mass production of 4x4 accessories, relies on specialized and experienced technicians, with the most adequate knowledge, to an efficient response capability to its customers demands.

Thanks to the specialization in the several areas of design and manufacture and to a constant investment in technology, AFN has been broadening its wide range of products, without ever neglecting the quality factor.

## 4x4 Accessories

In its diversity of products we can include, with all-terrain quality, protection, safety and aesthetic accessories.

And it is here that AFN invest on the best technology, the best cut precision of the raw material, and the transformation of products with the quality recognized in the marketplace.

AFN has, at its disposal, resources to test and analyse the resistance of its products and stands in the front row regarding the European homologation of materials dedicated to all terrain.

The contact with the most important test laboratories for vehicles, both in England, Spain and Germany, provides AFN with the know-how to manufacture a wide range of quality products.

## Our Design Approach

AFN designs each accessory taking into consideration the original model lines and fitting points. We refuse to have a "one design fits all" solution and we are always looking forward to embrace new challenges on how to adjust a new product into a new model!

The days of just throwing on a bit of steel together to form a protection system are gone. AFN is leading the way modern vehicle protection components are manufactured. Other will follow, and it won't be long where the AFN approach to Styling, Fit, Form and Function will become the benchmark for all other manufacturers.





## INDEX

### AFN 4x4 Accessories

Product: **Side Bars**  
Part Ref.: **48002734**

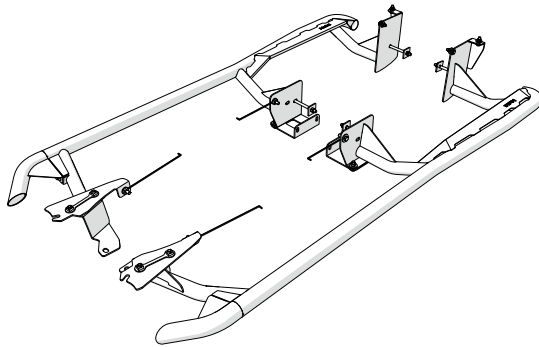
Introduction 2

1 Checklist 4  
Product 48002734

2 Fitting Instructions 6

3 D-MAX Catalogue 17

4 Warranty Terms 18



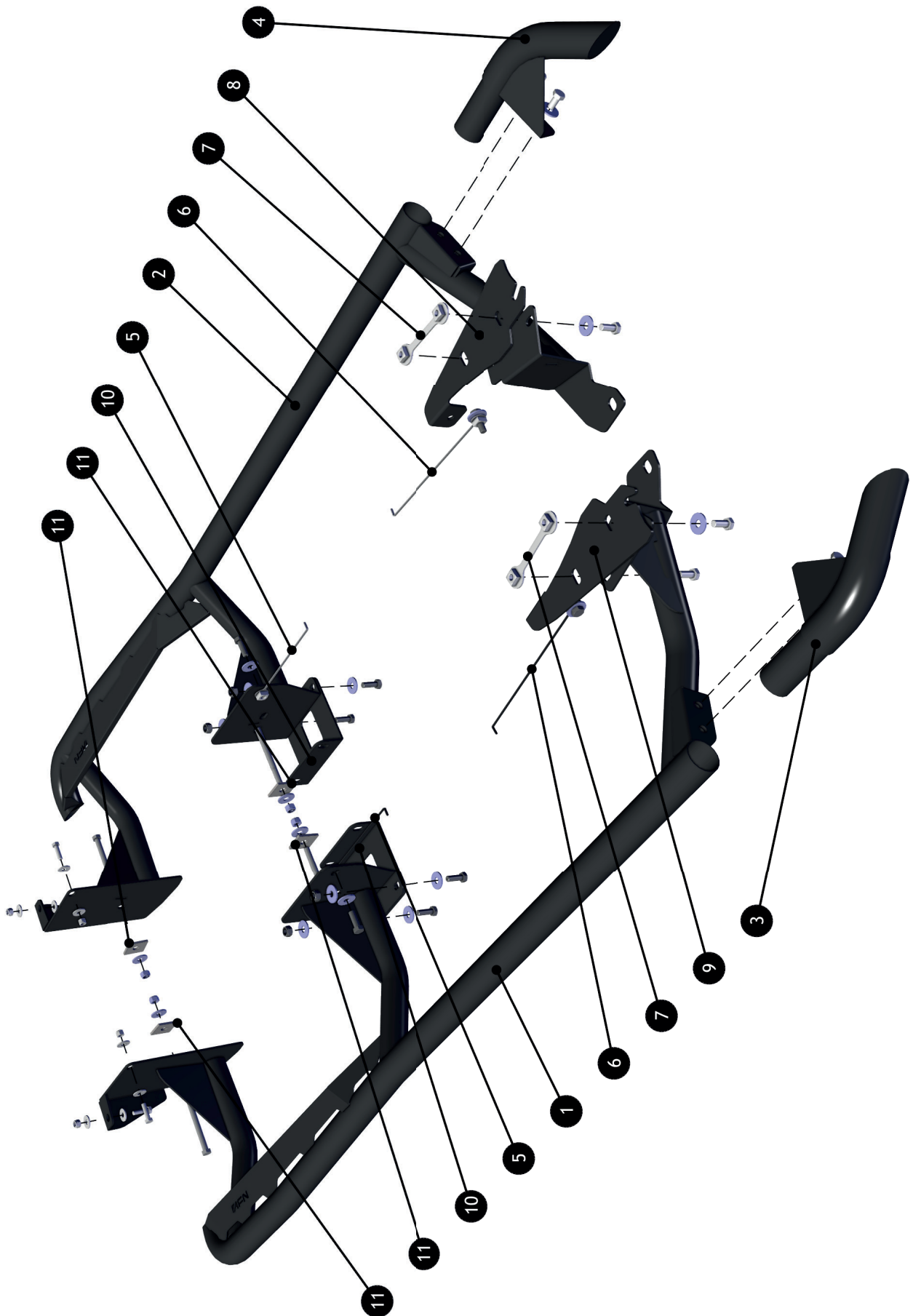
# 1 CHECKLIST



- In this section you have a checklist with all parts included for the installation of your AFN product
- This product should be installed as demonstrated in the product fitting instructions
- If verified that any component is damaged, please contact your nearest AFN distributor
- The specified parts will only fit in the models specified by AFN
- Do not modify any component of the product

This checklist is only for product **48002734**.

NUMBER	DESCRIPTION	REFERENCE	QTY
1	Right Side Bar - Isuzu D-MAX 2021	47002413	1x
2	Left Side Bar - Isuzu D-MAX 2021	47002414	1x
3	Side Bar End - (Right Side)	47002415	1x
4	Side Bar End - (Left Side)	47002416	1x
5	Nut Plate M10 (Small)	47002499	2x
6	Nut Plate M10 (Big)	47002500	2x
7	Double Nut Plate M10	47002501	2x
8	Reinforcement Plate (Left Side)	46009791	1x
9	Reinforcement Plate (Right Side)	46009790	1x
10	Central Reinforcement Plate	46009789	2x
11	Square Washer 40x40mm M10	46007000	4x
12	Nylock Nut M10	45001554	4x
13	Bolt M10x30	45001519	8x
14	Washer M10 (big)	45001251	20x
15	Bolt M10x120x30	45000242	4x
16	Bolt M10x20	45000056	4x
17	Nylock Nut M8	45000018	4x
18	Nylock Nut M10	45000017	4x
19	Bolt M10x25	45000015	4x
20	Washer M8 (big)	45000011	8x
21	Washer M10 (big)	45000010	8x
22	Bolt M8x30	45000008	4x



## 2 FITTING INSTRUCTIONS



### WARNING:

Before you begin installation, read all instructions thoroughly.  
Proper tools will improve the quality of installation and reduce the time required.

- This product should be installed as demonstrated in the *Product «Fitting Instructions»*;
- The specified parts, will only fit the models specified by **AFN**;
- Do not modify any component of the product;
- It is recommended that this product is installed by specialized and trained personnel;
- AFN doesn't take responsibility for changes made in the vehicle by its manufacturer;
- Work safely and use specialized tools at all times;
- **Always use protective gear.**

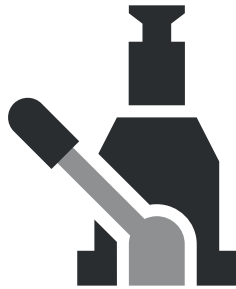
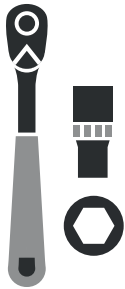


Size	Torque Nm	Torque lbft
M6	9 Nm	7 lbft
M8	22 Nm	16 lbft
M10	44 Nm	32 lbft
M12	77 Nm	57 lbft

### Mouting Time

- 2 hours
- 1 person (recommended)

### Tools Required



- Wrench
- Ratchet wrench
- Hydraulic Jack
- Lift

## Step 1 - Place Isuzu D-MAX on a Lift

### **ATTENTION!**

Please be aware that the following **FITTING INSTRUCTIONS** are only for one side, so the quantities in each step are half of the needed for both **SIDE BARS**.

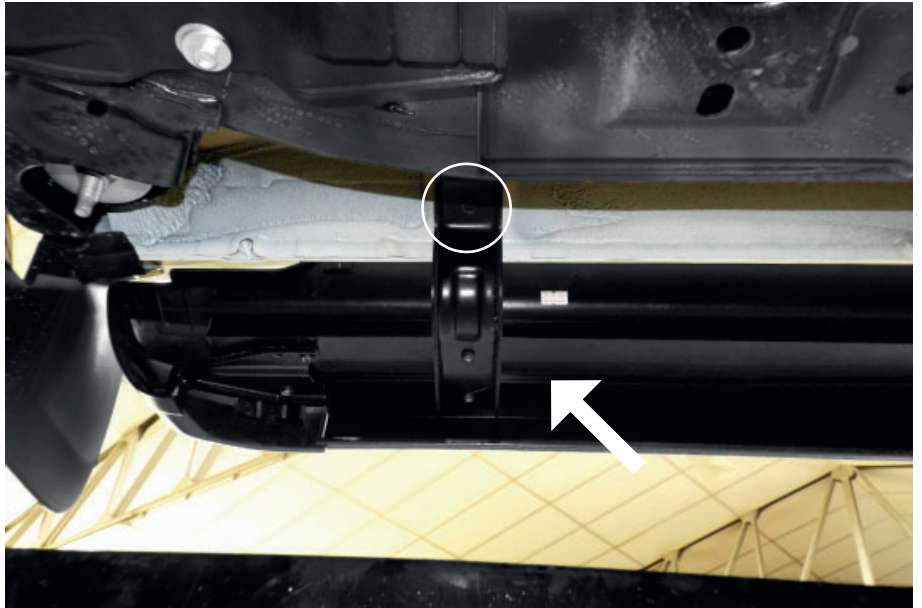
We'll do the **Passengers side** (European version)



## Step 2 - Removing OEM\* Side Steps

Start by removing the *OEM\** Side Step.

In the front part of the *OEM\** Side Step, loosen 1x *OEM\** Bolt.



Then, in the middle of the *OEM\** Side Step, loosen 1x *OEM\** Bolt, as well.



Finally, in the rear part of the *OEM\** Side Step, loosen 1x *OEM\** Bolt.



Remove the *OEM\** Side Step.

\*OEM - Original Equipment Manufacturer

### Step 3 - Preparations to fitting the AFN Side Steps

Once the *OEM\** Side Step is out, there are a few preparations that we advise you to do.

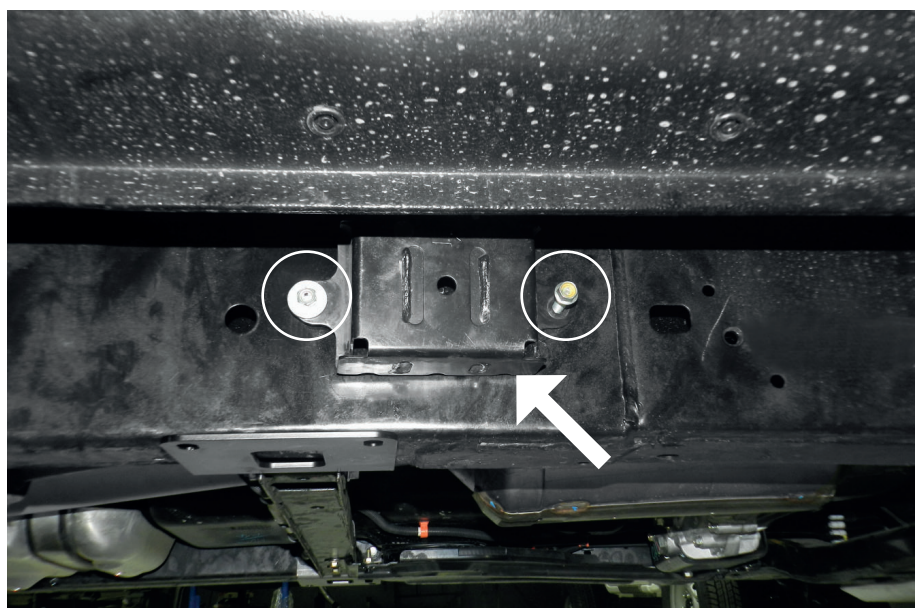
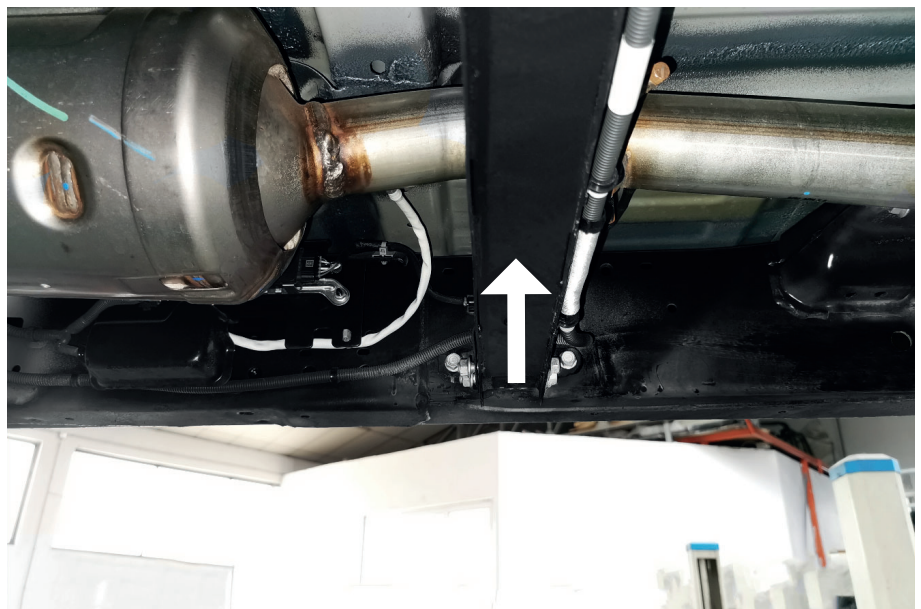
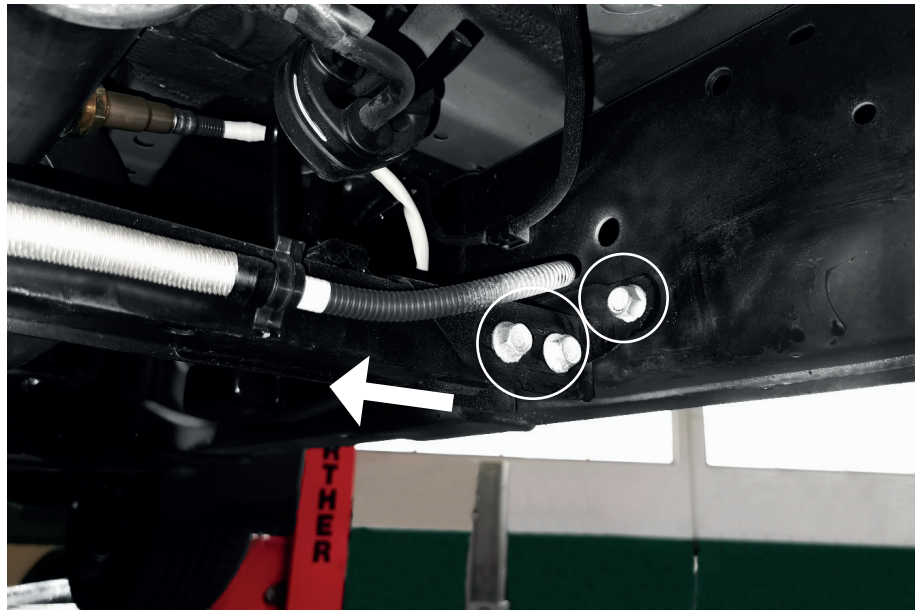
So, go to the **adjustable transmission crossmember** and loosen all the 6x *OEM\** bolts, as showed in the image.

Then, the **adjustable transmission crossmember** will separate from the Chassis, leaving a gap where the AFN Side Step Reinforcement will enter.

It is advised that you use a Hydraulic Jack to hold in place the **adjustable transmission crossmember**, on the opposite side of it.

Taking into consideration that our vehicle was an **European version**, on the **Passengers side**, there is a box that needs to be loosened.

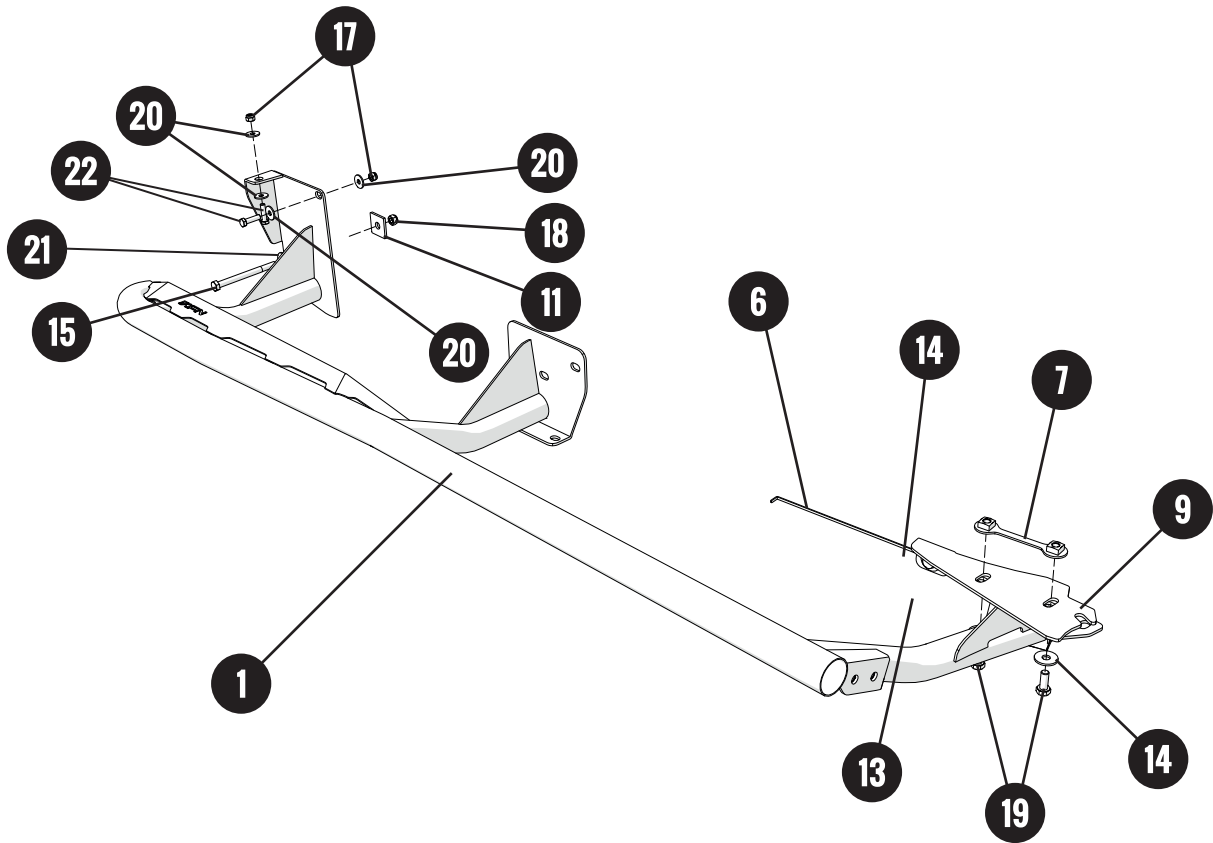
It will be fitted again later on, so save it next to you.



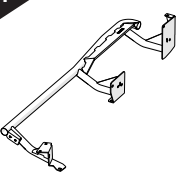
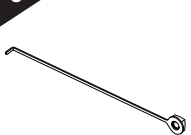
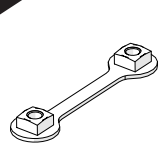
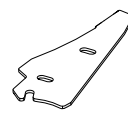
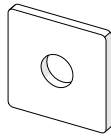
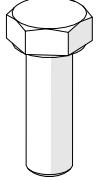
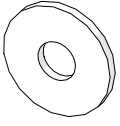

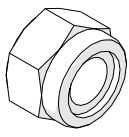
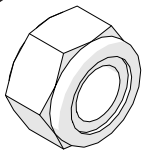
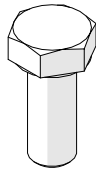
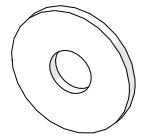
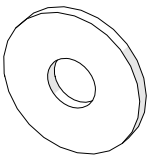
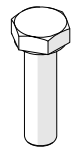
\*OEM - Original Equipment Manufacturer

**Step 4 - Fitting the AFN Side Bar in the Vehicle**

**Preview**



**Parts needed:**

- |   |  |   |   |   |   |
|---|--|---|---|---|---|
| <p><b>1</b></p>  <p><b>x1</b> Side Step ISUZU D-MAX 2021</p> | <p><b>6</b></p>  <p><b>x1</b> Nut Plate M10 (Big)</p> | <p><b>7</b></p>  <p><b>x1</b> Double Nut Plate M10</p> | <p><b>9</b></p>  <p><b>x1</b> Reinforcement Plate Right Side</p> | <p><b>11</b></p>  <p><b>x1</b> Square Washer M10 40x40mm</p> | <p><b>13</b></p>  <p><b>x1</b> Bolt M10x30</p>     |
| <p><b>14</b></p>  <p><b>x3</b> Washer M10 (Big)</p>          | <p><b>15</b></p>  <p><b>x1</b> Bolt M10x120x30</p>    | <p><b>17</b></p>  <p><b>x2</b> Nylock Nut M8</p>       | <p><b>18</b></p>  <p><b>x1</b> Nylock Nut M10</p>                | <p><b>19</b></p>  <p><b>x2</b> Bolt M10x25</p>               | <p><b>20</b></p>  <p><b>x4</b> Washer M8 (Big)</p> |
| <p><b>21</b></p>  <p><b>x2</b> Washer M10 (Big)</p>          | <p><b>22</b></p>  <p><b>x2</b> Bolt M8x30</p>         |   |   |   |   |

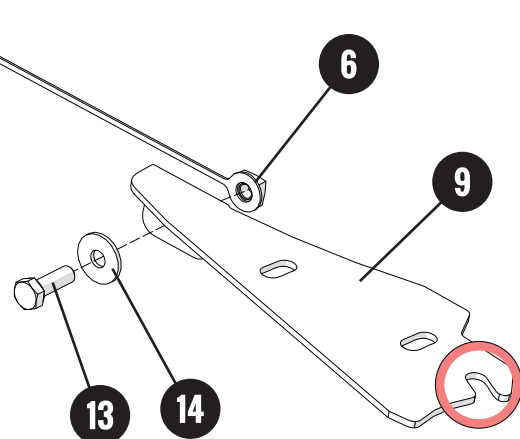
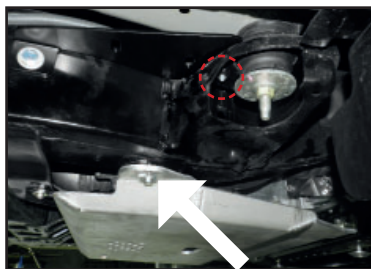
## Step 4 - Fitting the AFN Side Bar in the Vehicle

## Installation

Start by fitting the **Reinforcement Plate(9)** in the vehicle, where the silent block is. *(see the circle, where this part fit in the vehicle)*

Use 1x Bolt **M10x30(13)** with 1x Washer **M10(14)** and 1x Nut Plate **M10(6)**.

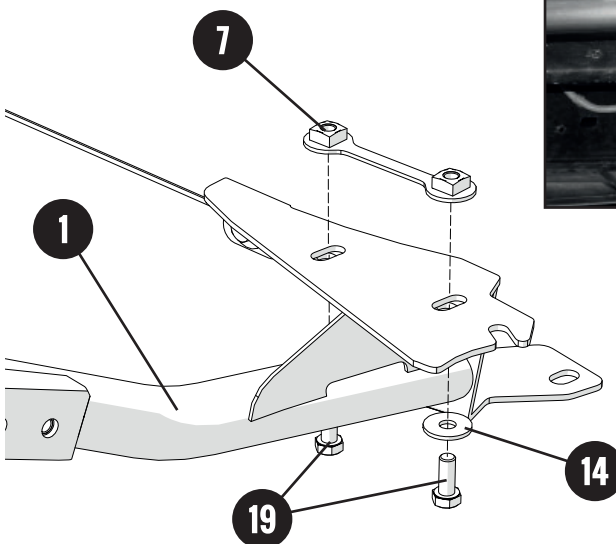
Just finger tight the bolt  
**Do Not tighten yet.**



Then, fit the **AFN Side Bar(1)** in the vehicle, just as showed in the image.

Use 2x Bolts **M10x25(19)** with 2x Washers **M10(14)** and 1x Double Nut Plate **M10(7)**.

Please note that, if you have the **AFN Gearbox Skid Plate (48002732)** fitted, you must loosen the highlighted bolt. **One on each side.**

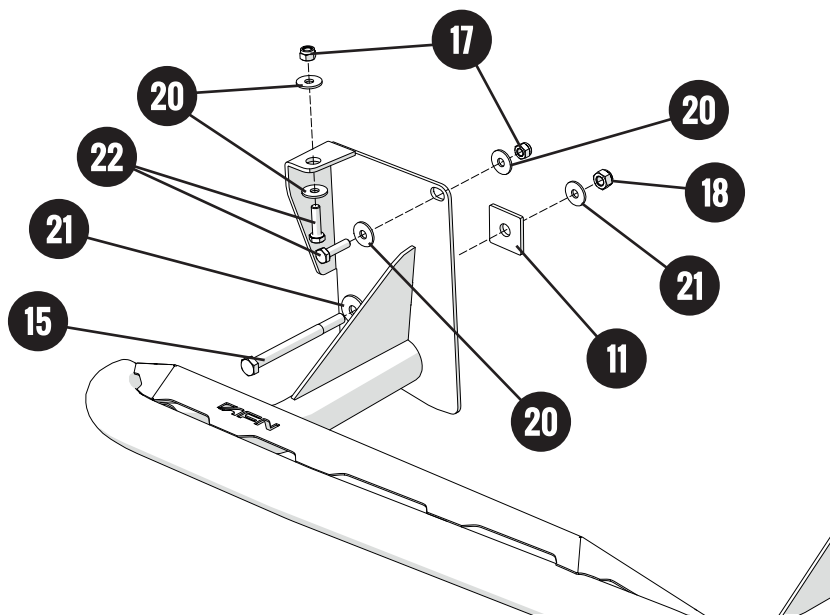


Once the front is secured, fit the rear part of **AFN Side Bar(1)**.

Use use 1x Bolt **M10x120x30(15)**, with 1x Washer **M10(21)**, 1x Square Washer **M10(11)**, 1x Washer **M10(21)** and 1x Nylock Nut **M10(18)**.

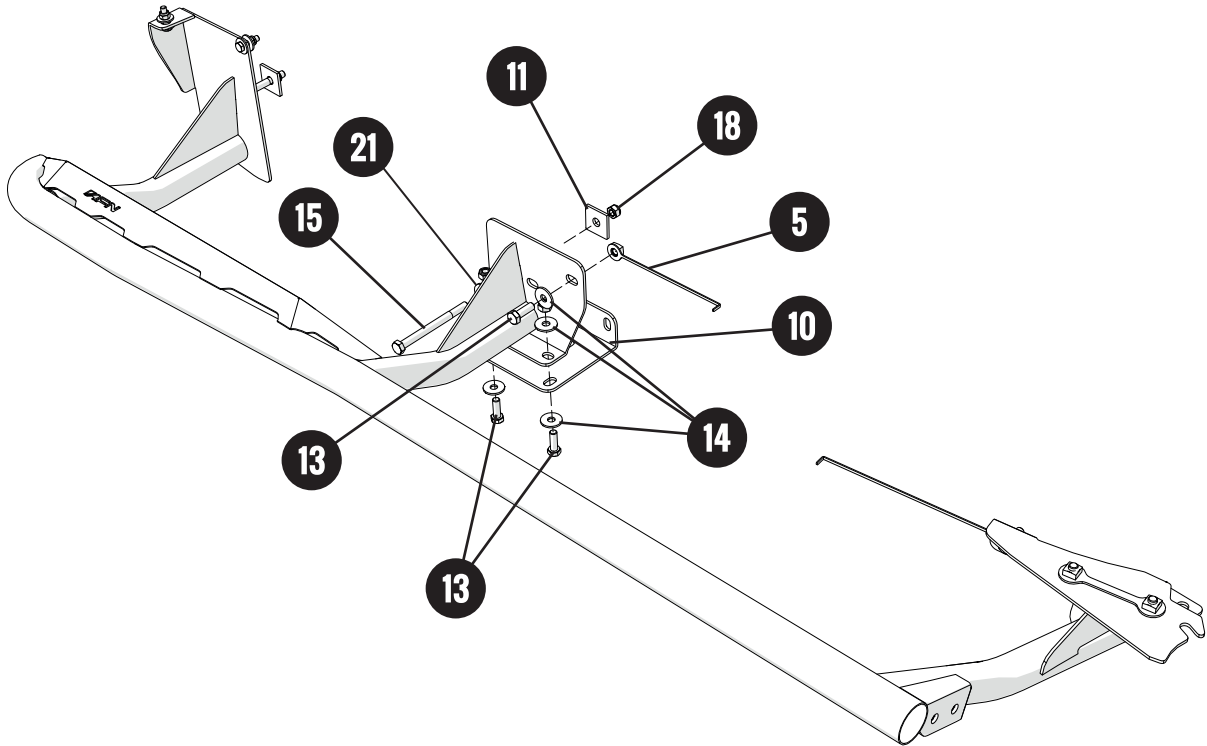
Then, use 2x Bolts **M8x30(22)** with 4x Washers **M8(20)** and 2x Nylock Nuts **M8(17)**.

Just finger tight both bolts  
**Do Not tighten yet.**



**Step 5 - Fitting the AFN Side Bar in the Vehicle**

Preview



**Parts needed:**

- |  |   |   |  |   |  |
|--|---|---|--|---|--|
| <p><b>5</b></p> <p><b>x1 Nut Plate M10 (Small)</b></p> | <p><b>10</b></p> <p><b>x1 Reinforcement Plate Central</b></p> | <p><b>11</b></p> <p><b>x1 Square Washer M10 40x40mm</b></p> | <p><b>12</b></p> <p><b>x2 Nylock Nut M10</b></p> | <p><b>13</b></p> <p><b>x3 Bolt M10x30</b></p> | <p><b>14</b></p> <p><b>x5 Washer M10 (Big)</b></p> |
| <p><b>15</b></p> <p><b>x1 Bolt M10x120x30</b></p>      | <p><b>18</b></p> <p><b>x1 Nylock Nut M10</b></p>              | <p><b>21</b></p> <p><b>x2 Washer M10 (Big)</b></p>          |  |   |  |

**Step 5 - Fitting the AFN Side Bar in the Vehicle****Installation**

Once the **AFN Side Bar(1)** is secured into the vehicle, it's time to fit again the box that you previously removed on **Step 3**.

Reuse the *OEM\** Bolts, previously removed, or:

Use 1x Bolt **M10x30(13)** with 1x Washer **M10(14)** and 1x Nut Plate **M10(5)**.

Also, use 1x Bolt **M10x120x30(15)**, with 1x Washer **M10(21)**, 1x Square Washer **M10(11)**, 1x Washer **M10(21)**, and 1x Nylock Nut **M10(18)**.

Just finger tight both bolts

**Do Not tighten yet.**

Then, fit the **Central Reinforcement Plate(10)** connecting the **AFN Side Bar(1)** to the vehicle.

Use 2x Bolts **M10x30(13)**, with 4x Washers **M10(14)** and 2x Nylock Nuts **M10(12)**.

Just finger tight both bolts

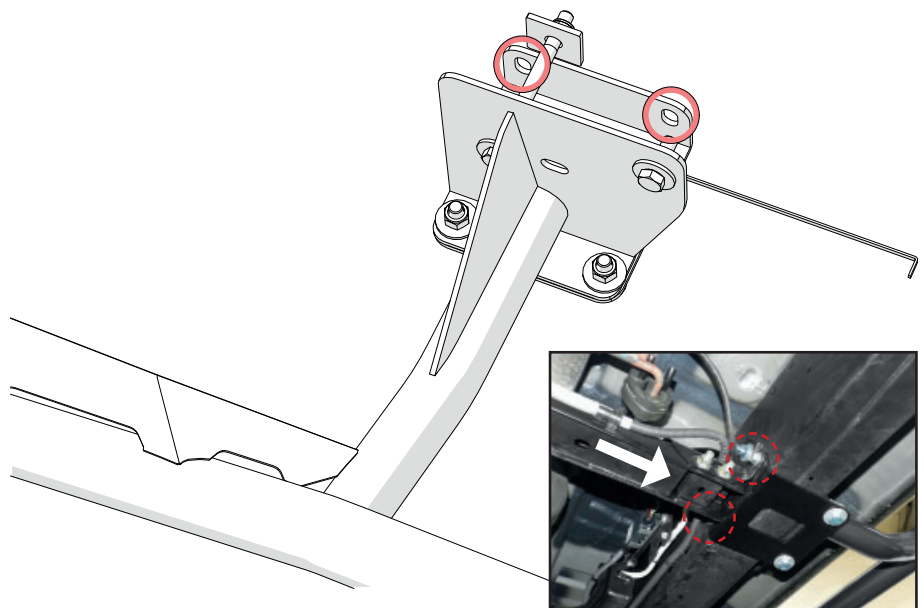
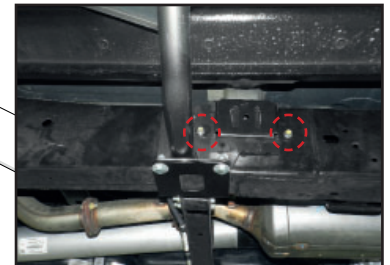
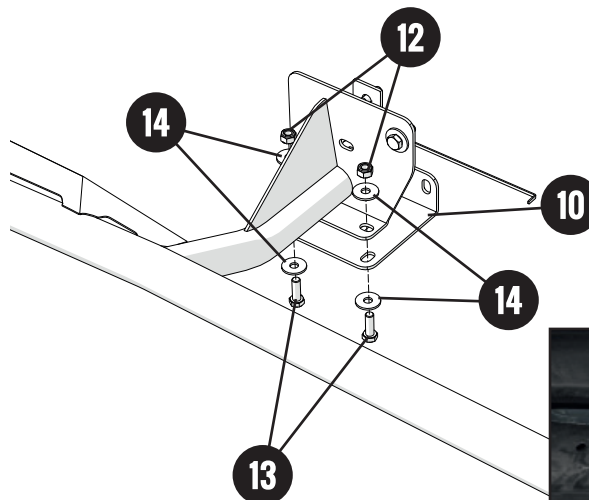
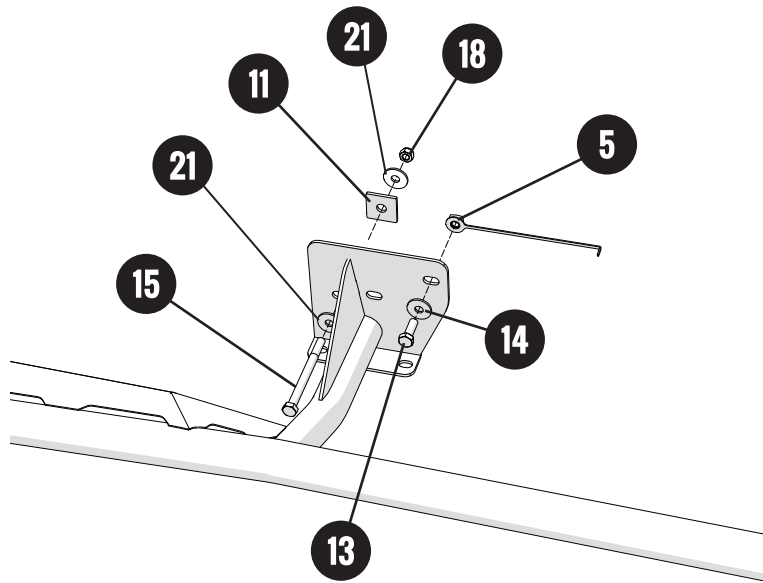
**Do Not tighten yet.**

Finally push the *OEM\** **adjustable transmission crossmember**, to the vehicle.

Use both *OEM\** Bolts. (*red dashed circles*)

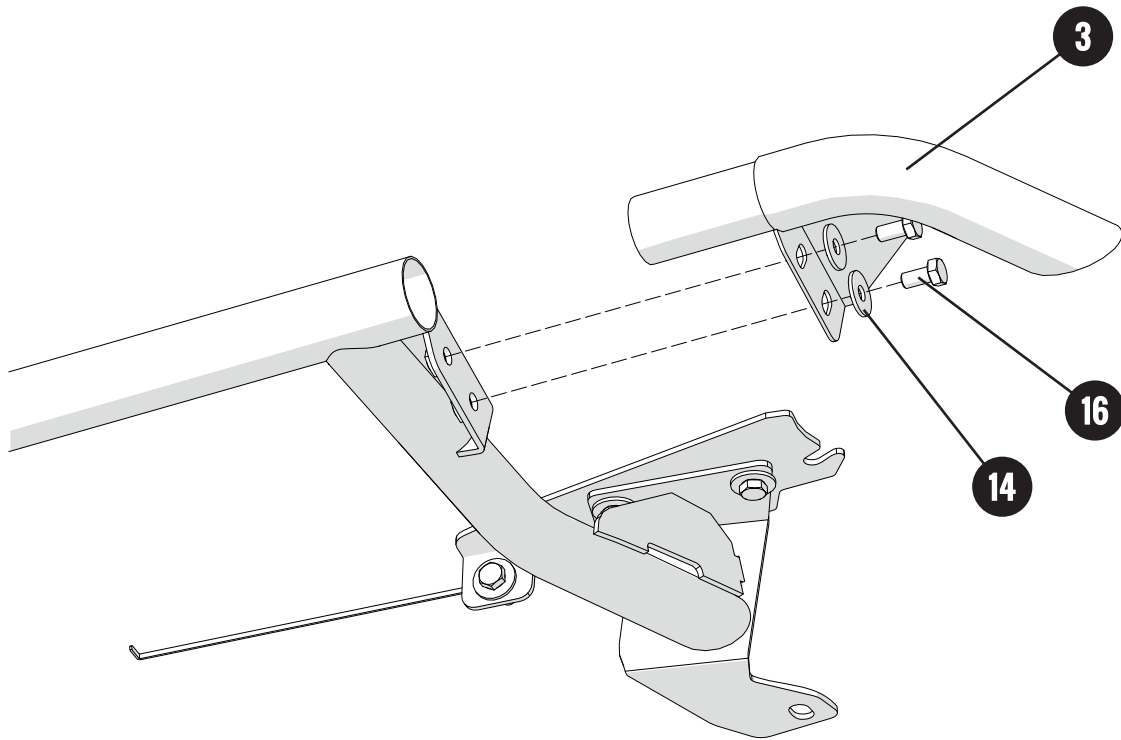
**Give the final torque.**

Do not forget to also **full tight** the extra bolts on the sides of the **adjustable transmission crossmember**.



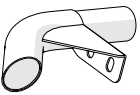
**Step 6 - Fitting the Rear Bar End in AFN Side Bar**

**Preview**



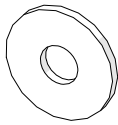
**Parts needed:**

**3**



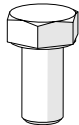
**x1** Side Bar End  
Right Side

**14**



**x2** Washer **M10** (*Big*)

**16**



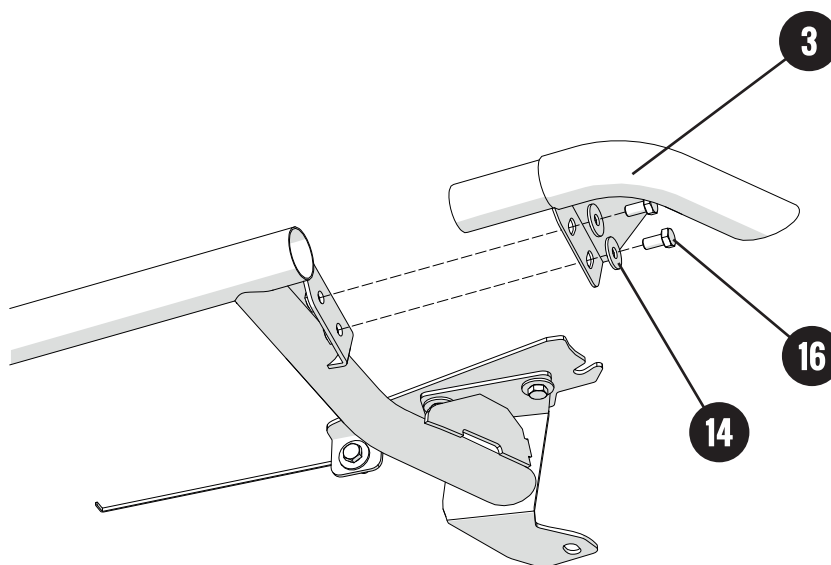
**x2** Bolt **M10x20**

**Step 6 - Fitting the Rear Bar End in AFN Side Bar****Installation**

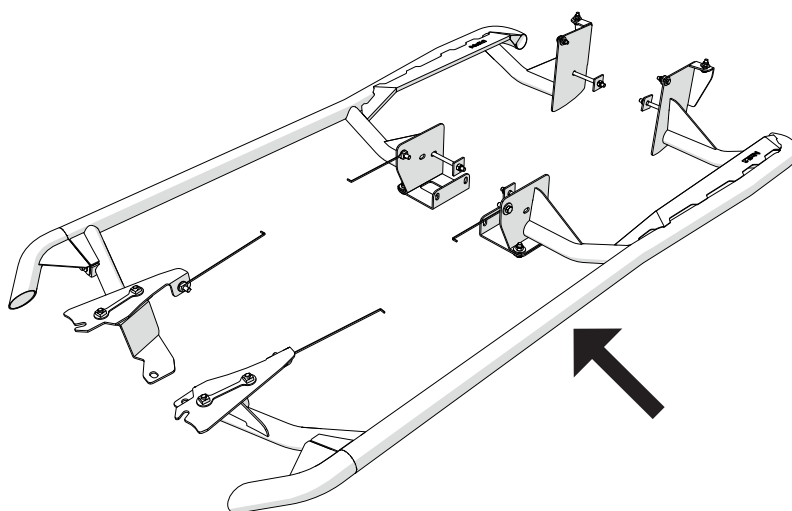
The Final step is to fit the **Right Side Bar End(3)** .

Use 2x Bolts **M10x20(16)** with 2x Washers **M10(14)**.

**Give the final torque.**



Repeat all of the previous steps for the other side, using the **Left Side Bar (2)** .



## Step 7 - Final Result

Your new **AFN Side Bars** are now installed on your **Isuzu D-MAX!**

Have Fun!

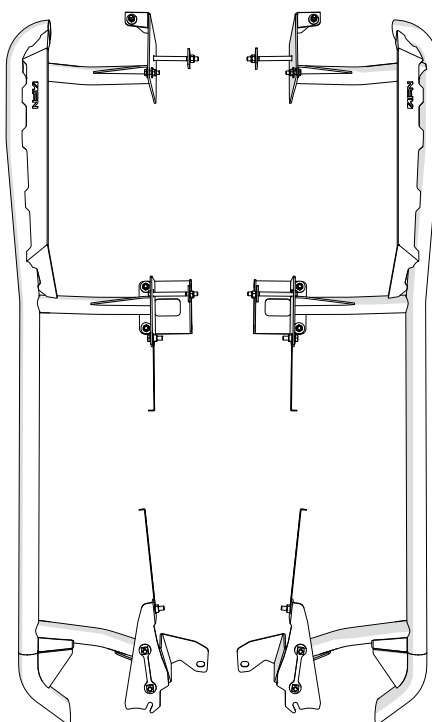


## Reminder !

Before operating a vehicle fitted with an AFN Side Bars:  
- Make sure all fittings are tightened

## Maintenance | Care

Periodically check and tighten all nuts. Stripped, fractured or bent bolts or nuts need to be replaced.





## 3 D-MAX CATALOGUE

**AFN 4x4 Accessories** is becoming a well known brand for its products due to its quality, design and safety which are challenged for thousands of people everyday, worldwide.

In its diversity of products we can include, with all-terrain quality, protection, safety and aesthetic accessories. With that being said, **AFN 4x4** has some other accessories that every offroad passionate would like to have, such as **Body Protections, Underbody Protections, Light Holders, Storage** (Wheel Supports and Jerry-can carriers) and others related to the **Aesthetics**.

We have some 4x4 accessories that combine with the original model lines that if you take a closer look you will see that they don't appear to be an accessorie, but a must-have.

Please be in mind that some accessories are available only to some models.  
 Feel free to check all the products that may interest you in our website at: [www.afn.pt](http://www.afn.pt)



Ref.: 48002668 - Bull Bar w/ Provision for OEM Fog light and AFN indicator



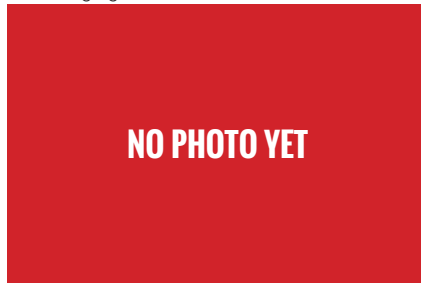
Ref.: 48002772 - Bumper w/ Provision for OEM Fog light and indicator



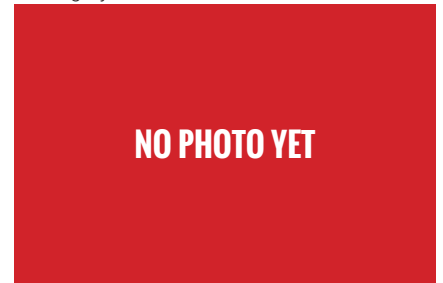
Ref.: 48002768 - Rear Bumper for OEM Towing System



Ref.: 48002725 - Bull Bar w/ Provision for OEM Fog light and indicator



Ref.: 48002725 - Bumper w/ Provision for OEM Fog light and AFN indicator



Ref.: 48002731 - Rear Bumper w/ trailer Hitch



Ref.: 48002732 - Sump Guard Skid Plate



Ref.: 48002733 - Gearbox Skid Plate



Ref.: 48002734 - Side Bars

## 4 WARRANTY TERMS

**AFN4x4** products are warranted free from defects in materials and workmanship for a period of two (2) years from the date of initial retail purchase. Third-party components are delivered under the original manufacturer warranty.

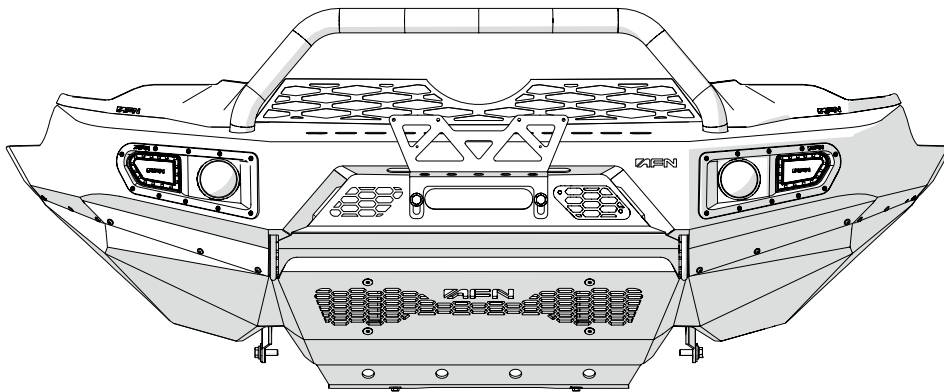
Under the present warranty, **AFN4x4** obligation shall be limited to repairing, replacing or crediting, at its option, any part found to be defective.

**AFN4x4** does not warrant or make any representations concerning its goods when:

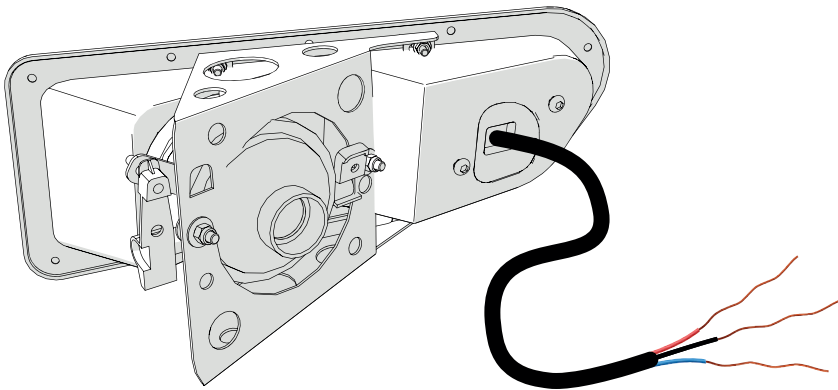
- a) The products are purchased used, scratch and dent or when the box was opened.
- b) The products are not installed, used, and maintained strictly in accordance with **AFN4x4**'s instructions.
- c) The products are installed in vehicles that are used in competition.
- d) The products are installed in vehicles fitted with aftermarket non-standard tires with diameters in excess of OEM\* specifications.
- e) The products are installed in vehicles with engines that have been modified to increase performance.

**AFN4x4** will not be responsible for goods damaged in transit. If any goods arrive damaged, please contact the **AFN4x4** as soon as possible. **AFN4x4** will assess and may arrange to have the damaged goods returned to a **AFN4x4** Distributor and arrange for a replacement of the goods. Damaged goods must be returned in the condition received by you with all original packaging, accessories and/or manuals. If they are not returned in same condition sent there may be an additional fee charged.

To file a claim under this warranty please contact **AFN4x4** at +351 256 808 300 or via email at [geral@afn.pt](mailto:geral@afn.pt) to request a *Returned Goods Authorization (RGA)* number and instructions for returning the defective component.



AFN LED LIGHTS 48002698\_48002718\_48002724

**5 ATTACHMENTS****Electrical Fittings:**

- The **Red One** / **Brown One** must be connected to the Positive of the OEM Day Running Light.
- The **Black One** must be connected to the Neutral cable of the vehicle.
- The **Blue One** must be connected to the Positive of the OEM blinkers.

Test if everything is correctly functioning.

DON'T JUST SETTLE FOR THE SAME OLD BULL



WWW.AFN.PT | SALES@AFN.PT | FACEBOOK.COM/AFN4X4

# WELCOME TO THE AFN FAMILY



União Europeia

Fundo Europeu de  
Desenvolvimento Regional

