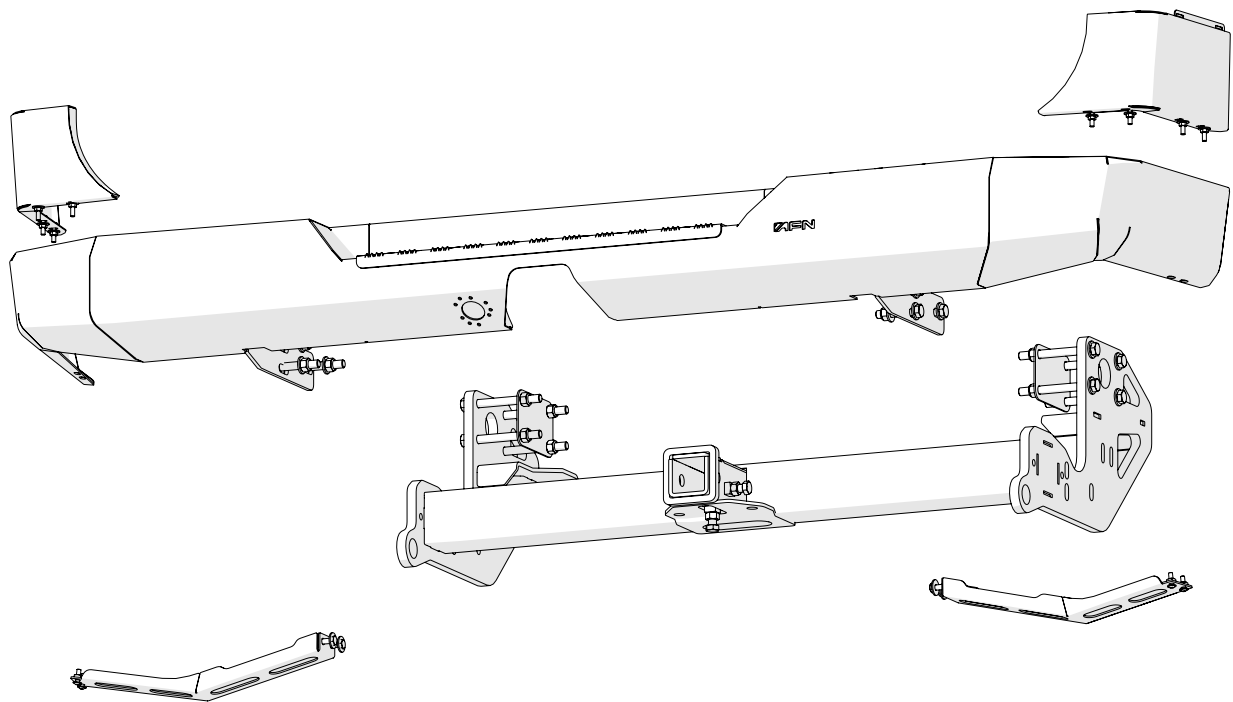




4 X 4 A C C E S S O R I E S

Fitting Instructions

Mercedes Sprinter



This manual contains the **Mercedes Sprinter** fitting instructions for:

Rear Bumper REF: **48002741**

AFN 4x4 Accessories

Product: **Rear Bumper**
Ref: **48002741**

Checklist	3
Product 48002741	
Fitting Instructions	4
Step 1	5
Step 2	6
Step 3	7
Step 4	8
Step 5	9
Final Result	10

CHECKLIST

- In this section you have a checklist with all parts included for the installation of your AFN product
- This product should be installed as demonstrated in the product fitting instructions
- If verified that any component is damaged, please contact your nearest AFN distributor
- The specified parts will only fit in the models specified by AFN
- Do not modify any component of the product

This checklist is for product **48002741**.

REF.: 48002741

NUMBER	DESCRIPTION	REFERENCE	QTY
1	Rear Bumper	47002428	1x
2	Rear Bumper Bracket w/ trailer hitch	48002427	1x
3	Trim (Left Side)	48002430	1x
4	Trim (Right Side)	47002429	1x
5	Rear Bumper Reinforcement (Left Side)	47002548	1x
6	Rear Bumper Reinforcement (Right Side)	46002547	1x
7	Shim 2,5mm	46012035	2x
8	Shim 4mm	46012034	2x
9	Body Clamping Plate	46010418	2x
10	Bolt M12x120x35	47000201	1x
11	Nylock Nut M12	45000066	8x
12	Washer M12	45001253	20x
13	Plate w/ Welded Bolts M6	47002431	4x
14	Washer M6 (big)	45000044	8x
15	Nut M6	45000057	8x
16	Bolt M12x65	45000046	6x
17	NyLock Nut M12	45001558	6x
18	Washer M8	45001267	4x
19	Bolt M8x35	45000083	4x
20	Bolt M6x20	45001257	4x
21	Bolt M12x30	45001565	2x
22	Lock Nut M12	45001559	2x

FITTING INSTRUCTIONS

WARNING:

Before you begin installation, read all instructions thoroughly.
 Proper tools will improve the quality of installation and reduce the time required.

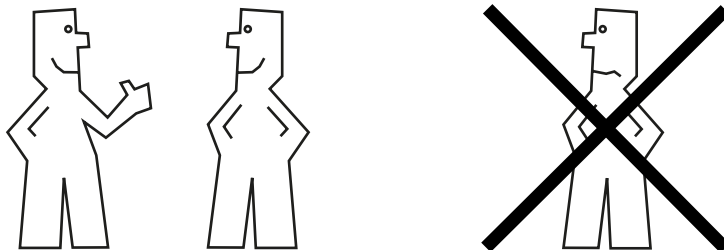
- This product should be installed as demonstrated in the *Product «Fitting Instructions»*;
- The specified parts, will only fit the models specified by **AFN**;
- Do not modify any component of the product;
- It is recommended that this product is installed by specialized and trained personnel;
- AFN doesn't take responsibility for changes made in the vehicle by its manufacturer;
- Work safely and use specialized tools at all times;
- **Always use protective gear.**



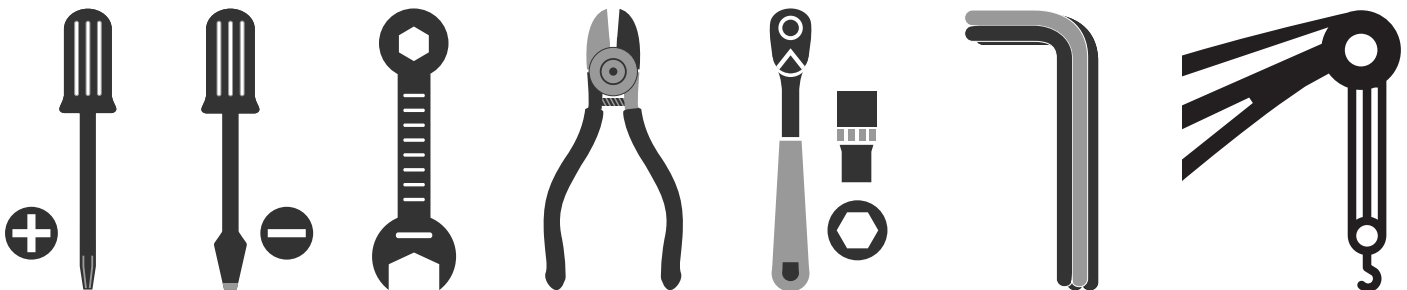
Size	Torque Nm	Torque lbft
M6	9 Nm	7 lbft
M8	22 Nm	16 lbft
M10	44 Nm	32 lbft
M12	77 Nm	57 lbft

Mouting Time

- 3 Hours
- 2 Persons (recommended)

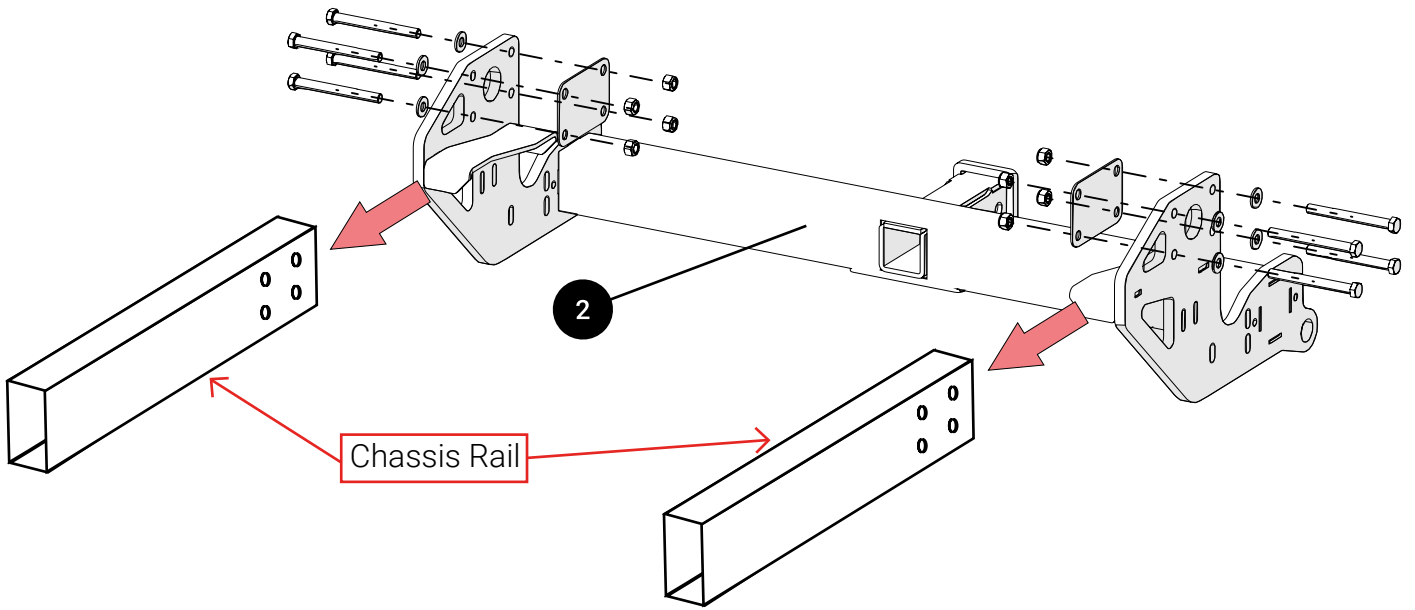


Tools Required

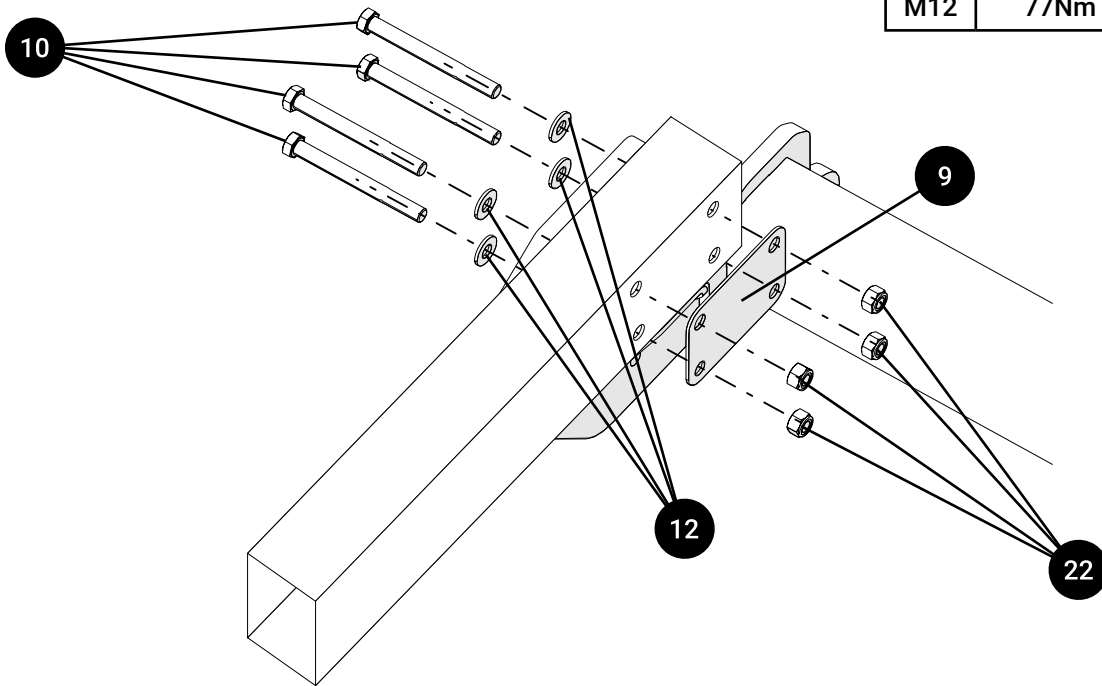


- Screwdriver star head
- Screwdriver flat head
- Wrench
- Wire cutter
- Ratchet wrench
- Allen wrench
- Crane

Step 1



Size	Torque Nm	Torque lbft
M12	77Nm	57 lbft



Parts Needed:



x1 47002427
Rear Bumper Bracket
w/ trailer hitch



x2 46010418
Body Clamping Plate



x8 45000201
Bolt M12x120x35

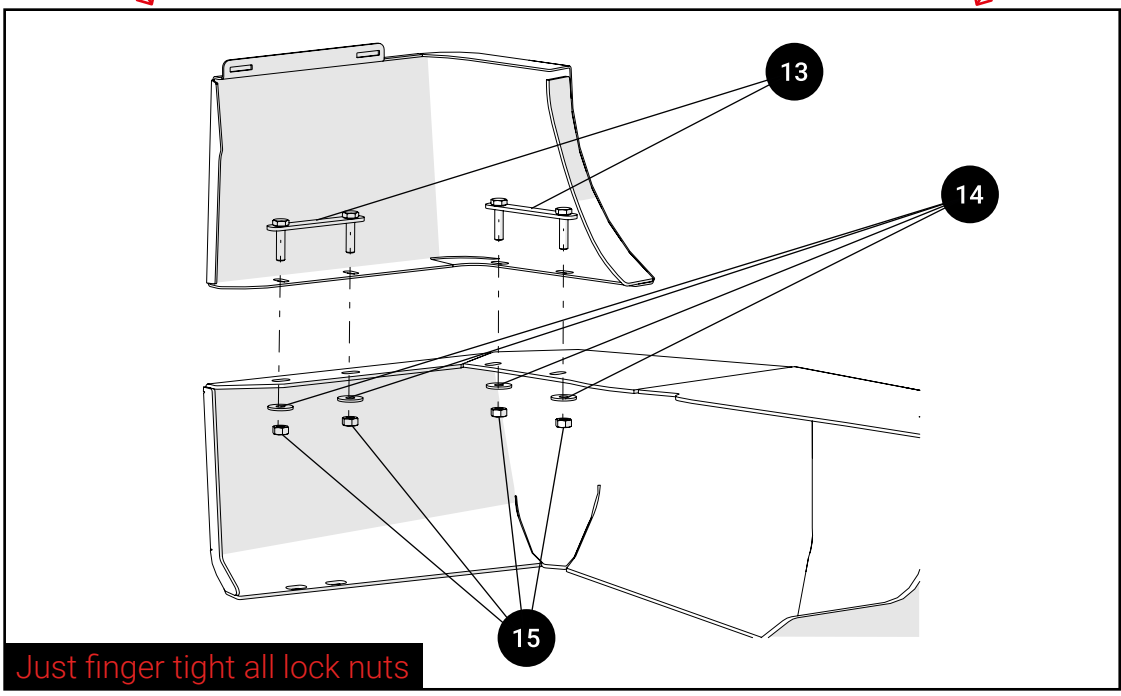
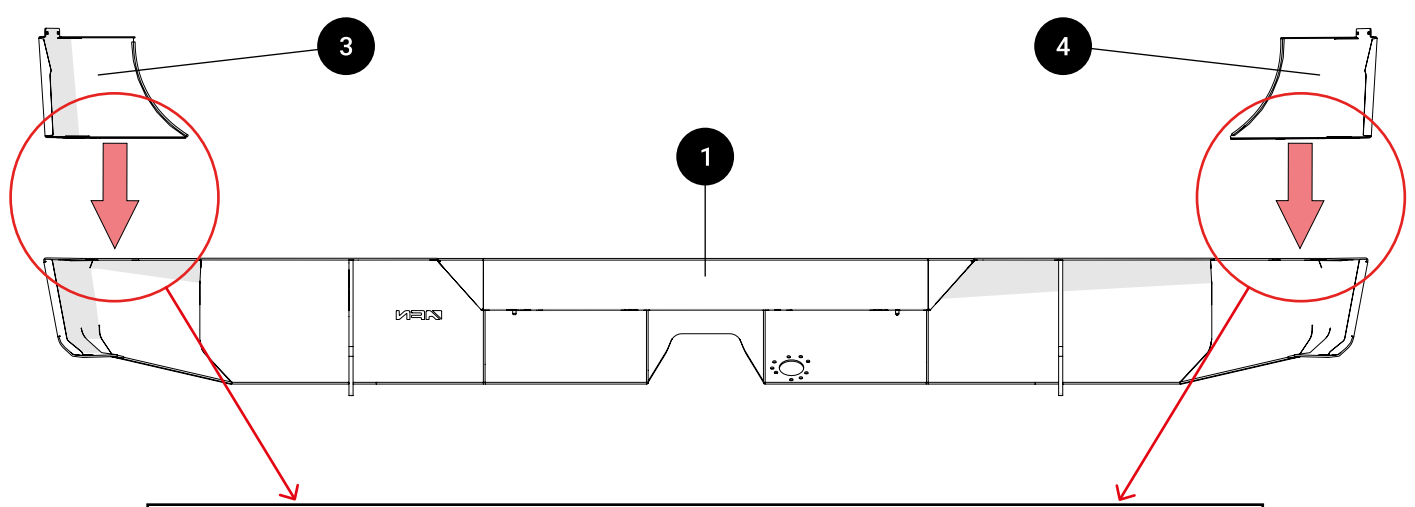


x8 45001253
Washer M12

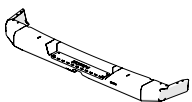
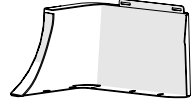
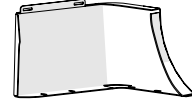
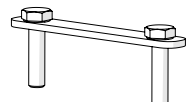
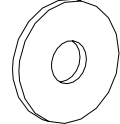
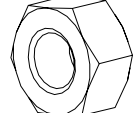


x8 45001559
Lock Nut M12

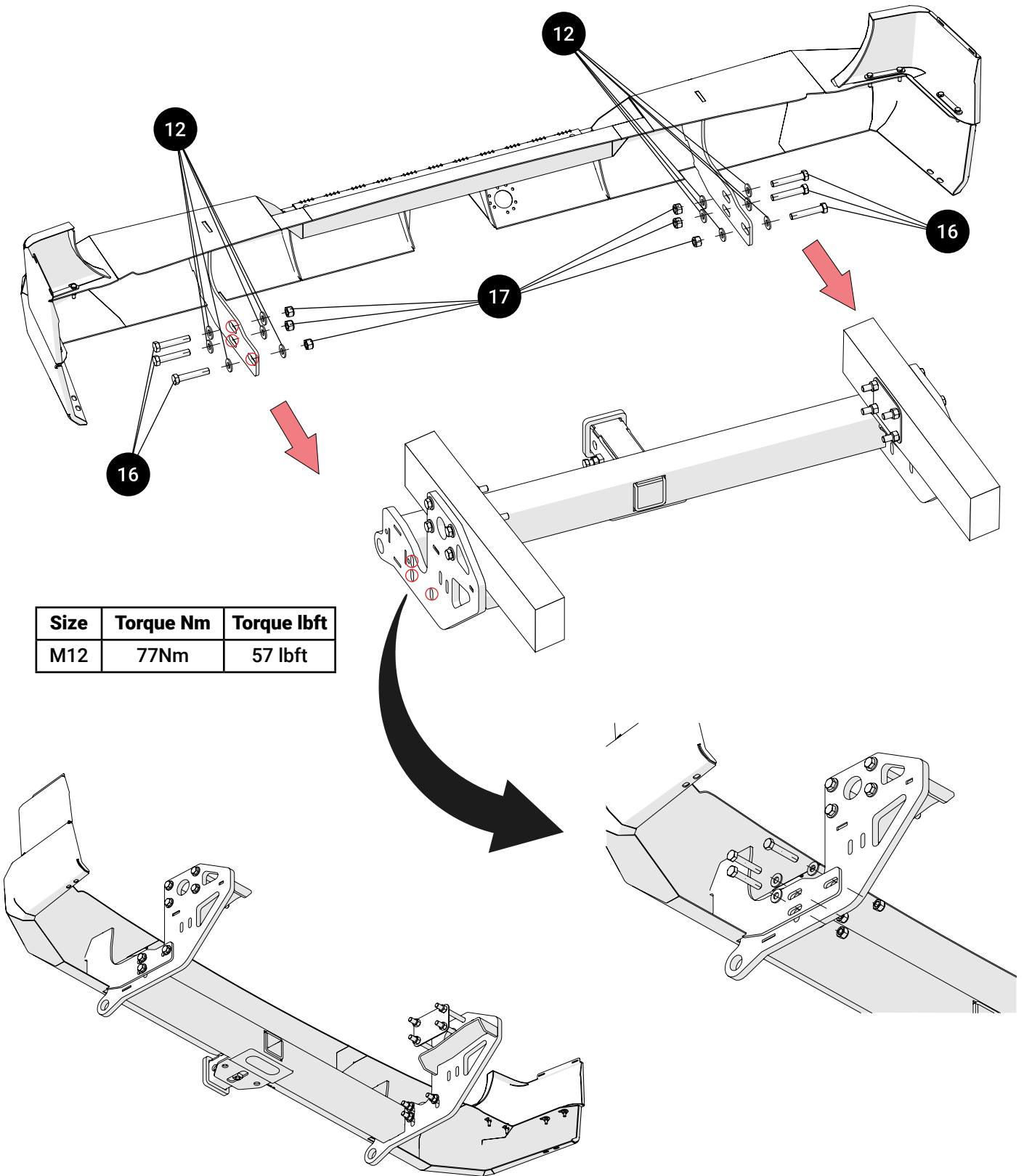
Step 2



Parts Needed:

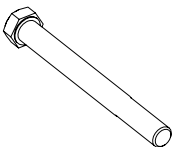
- | | | | | | |
|---|---|---|---|--|--|
| 1
 | 3
 | 4
 | 13
 | 14
 | 15
 |
| x1 47002428
Rear Bumper | x1 47002430
Trim (Left side) | x1 47002547
Trim (Right side) | x4 47002431
Plate w/ Welded Bolts
M6 | x8 45000044
Washer M6 (big) | x8 45000057
Lock Nut M6 |

Step 3



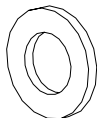
Parts Needed:

16



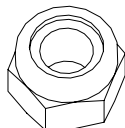
x6 45000046
Bolt M12x65

12



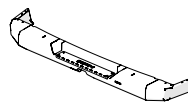
x12 45001253
Washer M12

17



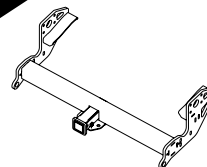
x6 45001558
NyLock Nut M12

1



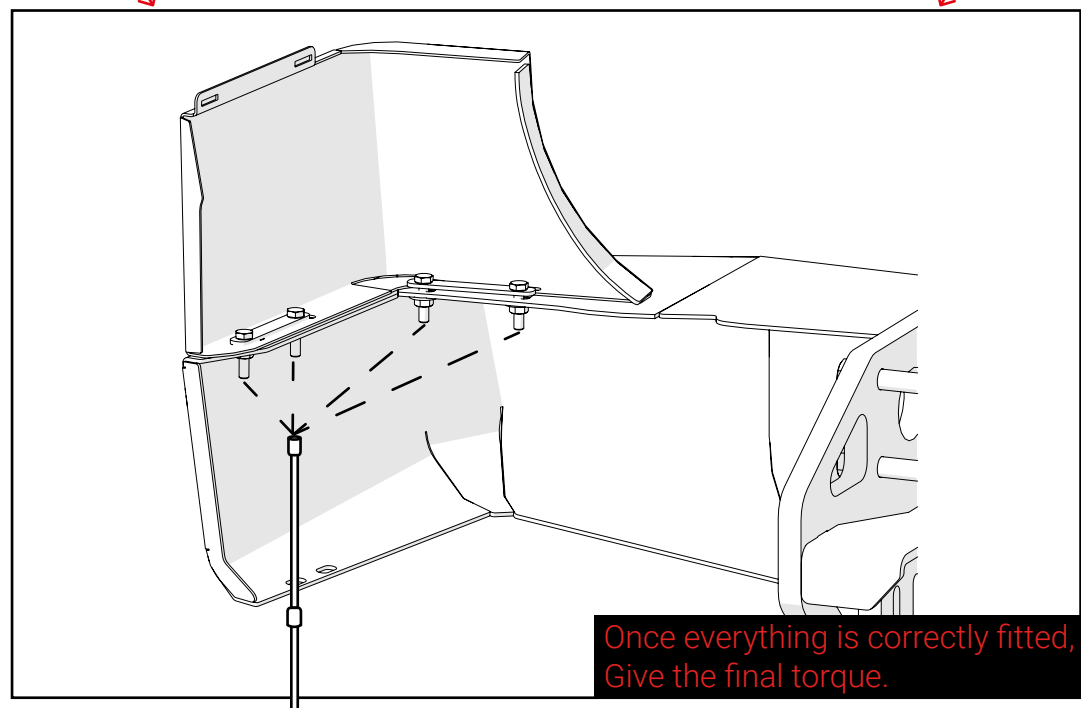
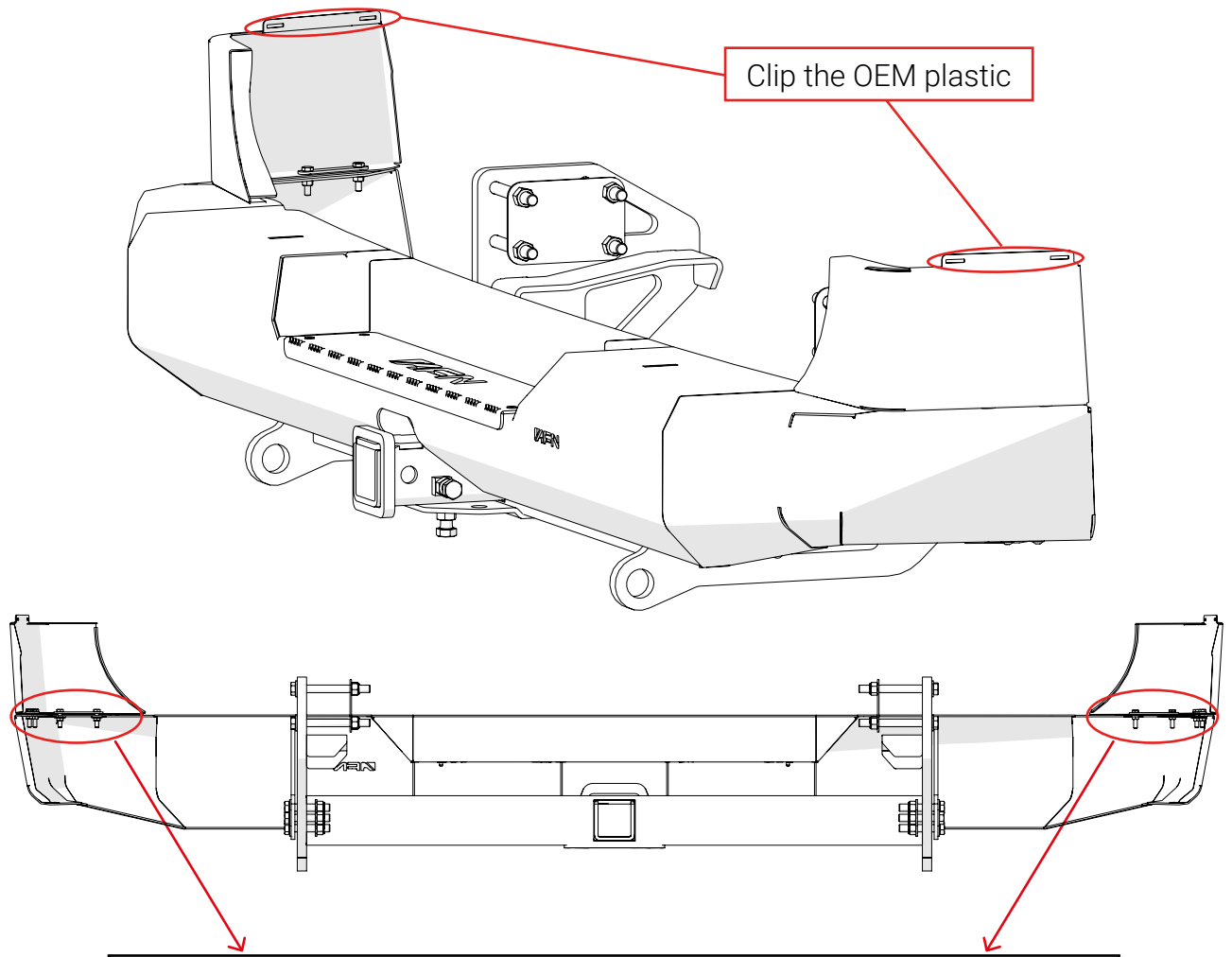
x1 47002428
Rear Bumper

2



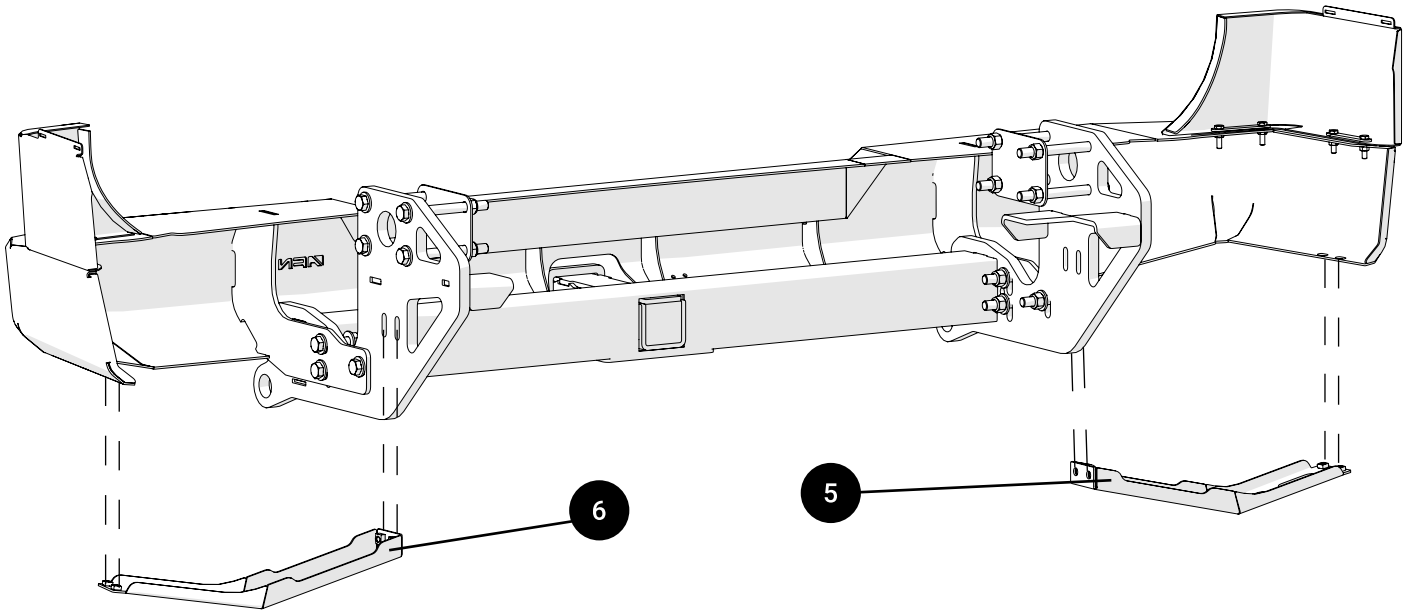
x1 47002427
Rear Bumper Bracket
w/ trailer hitch

Step 4

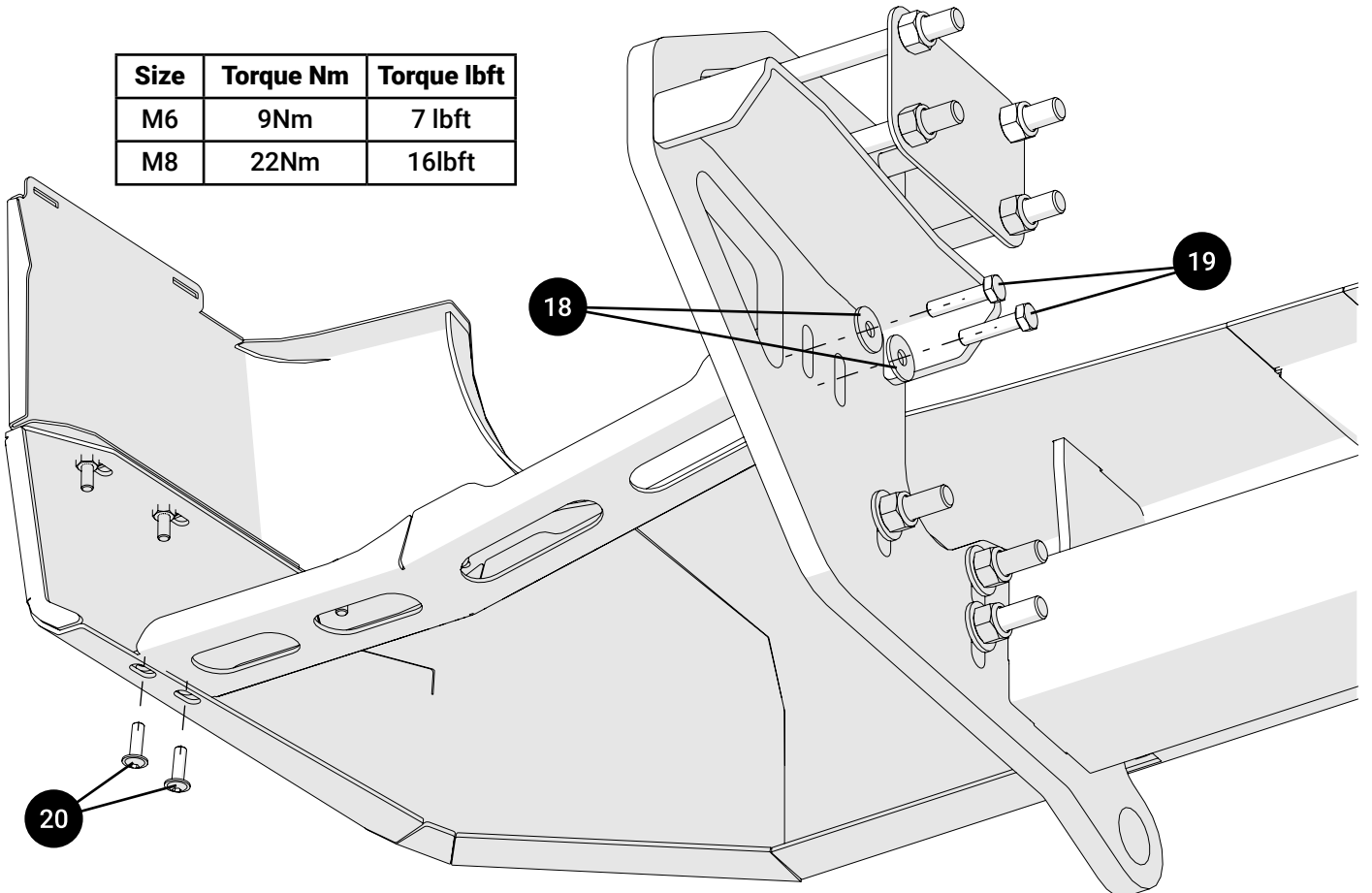


Size	Torque Nm	Torque lbft
M6	9Nm	7 lbft

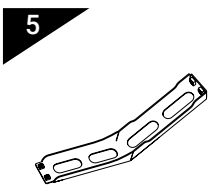
Step 5



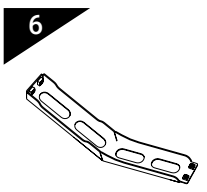
Size	Torque Nm	Torque lbft
M6	9Nm	7 lbft
M8	22Nm	16lbft



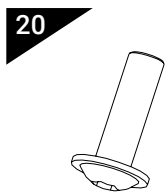
Parts Needed:



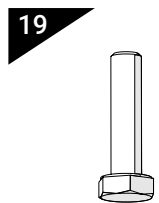
x1 47002548 Rear Bumper Reinforcement (Left Side)



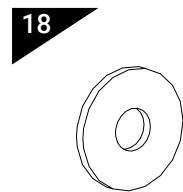
x1 47002547 Rear Bumper Reinforcement (Right Side)



x4 45001257 Bolt M6x20



x4 45000083 Bolt M8x35



x4 45001267 Washer M8 (big)

Final Result