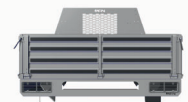
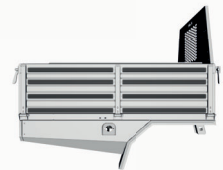
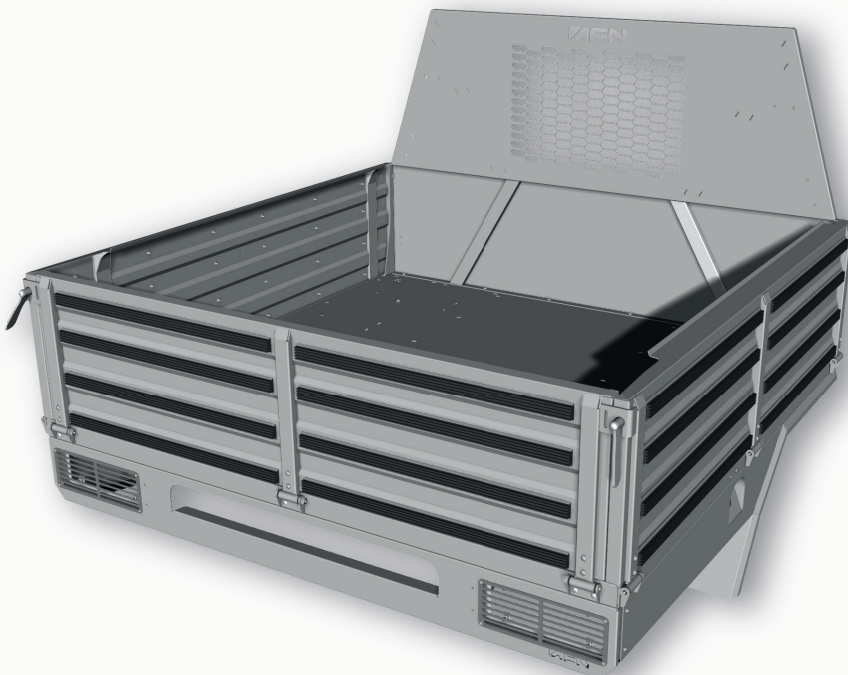
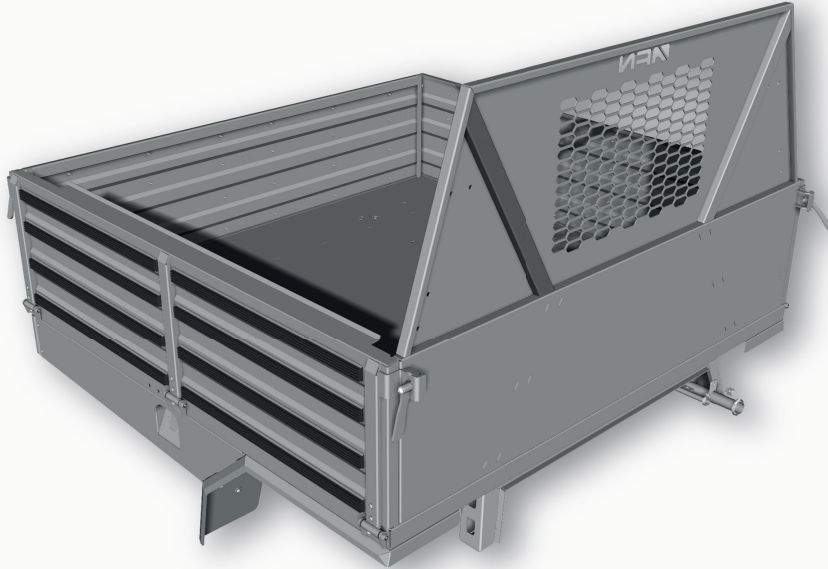


**OWNER MANUAL**  
FLATBED W/ DROP SIDES

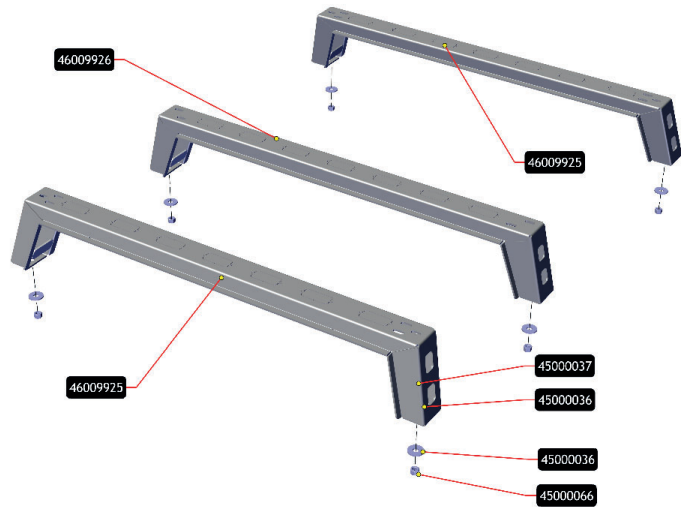


This manual contains the Fitting Instructions for:  
**Flatbed with Drop Sides Ref.: 48002795**

## Step 1

Start by fitting the **3x Brackets (46009925 x2)** and **(46009926)** into the vehicle. Bolts needed:

6x Bolts **M12x30 45000037**  
 12x Washers **M12 45000036**  
 6x Nylock Nuts **M12 45000066**

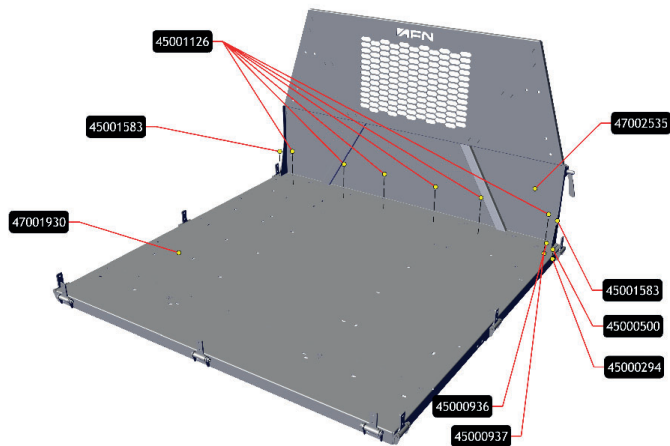


## Step 2

Once that is done place the Bed Line **(47001930)** in a flat working surface. Fit Part **(47002535)** Bolts needed:

5x Flange Bolts **M8x20 45001126**  
 5x Washers **M8 45000936**  
 5x Nylock Nut **M8 45000937**

2x Flange Bolts **M6x20 45001583**  
 2x Washers **M6 45000500**  
 2x Nylock Nuts **M6 45000294**

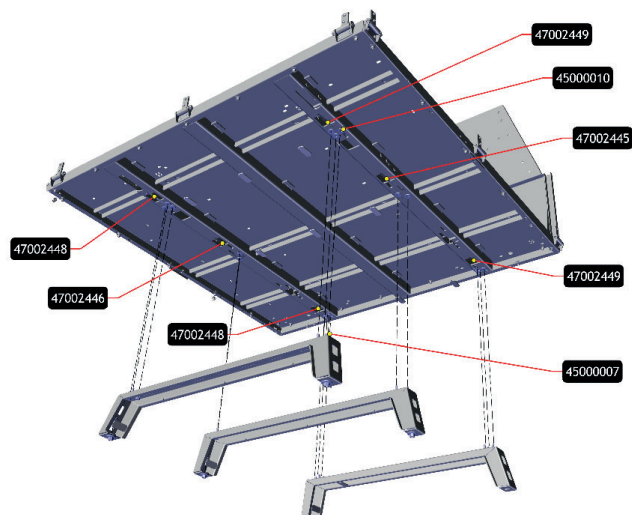


## Step 3

Once that is done, place the Bed Line above the previously Reinforcements in the **Chassis**. Bolts needed:

16x Bolts **M10x30 45000007**  
 16x Washers **M10 45000010**  
 1x Double Nut Plate **M10 47002445**  
 1x Double Nut Plate **M10 47002446**  
 2x Triple Nut Plates **M10 47002448**  
 2x Triple Nut Plates **M10 47002449**

Please be in mind that both **Double and Triple Nut Plates** must enter as shown in the image.



### Step 4

Once the Bed Line is fitted, it's time to fit the Side Covers (**46009932**) and (**46010520**). Bolts needed:

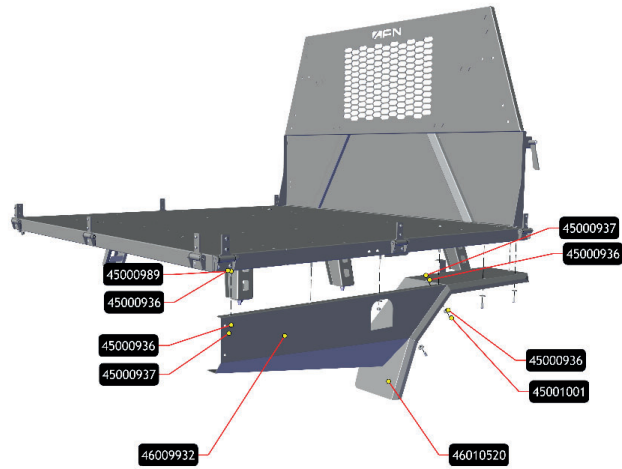
**46009932**

- 4x Bolts **M8x20 45000989**
- 8x Washers **M8 45000936**
- 4x Nylock Nuts **M8 45000937**

**46010520**

- 7x Bolts **M8x20 45001001**
- 14x Washers **M8 45000936**
- 7x Nylock Nuts **M8 45000937**

Repeat this step for the other side (**46009933**) and (**46010521**).

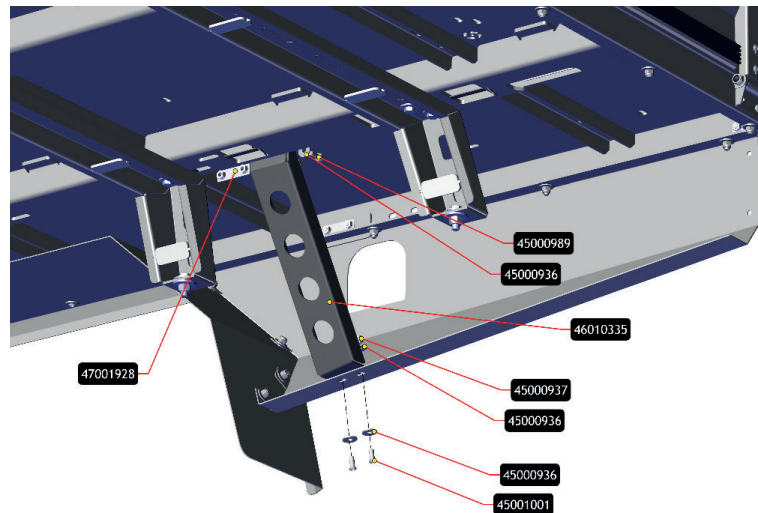


### Step 5

Fit the rear reinforcement (**46010335**). Bolts needed:

- 4x Bolts **M8x20 45001001**
- 6x Washers **M8 45000936**
- 2x Nylock Nuts **M8 45000989**
- 1x Double Nut Plate **M8 47001928**

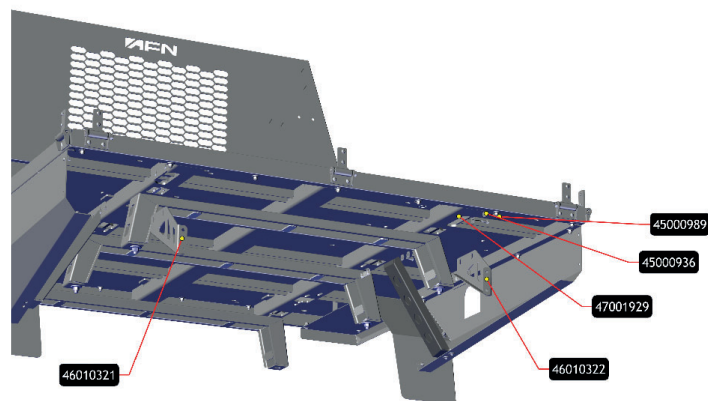
Repeat this step for the other side (**46010334**).



### Step 6

Once both sides are fitted, fit the Rear Reinforcements (**46010321**) (**46010322**). Bolts needed:

- 4x Bolts **M8x20 45000989**
- 4x Washers **M8 45000936**
- 2x Double Nut Plates **M10 47001929**

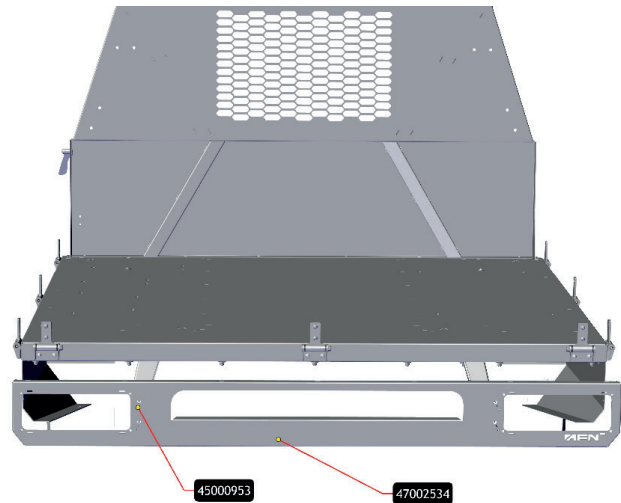


## Step 7

Fit the Rear Cover (**47002534**).  
Bolts needed:

4x Bolts **M8x20 45000953**

Repeat this step for the other side.



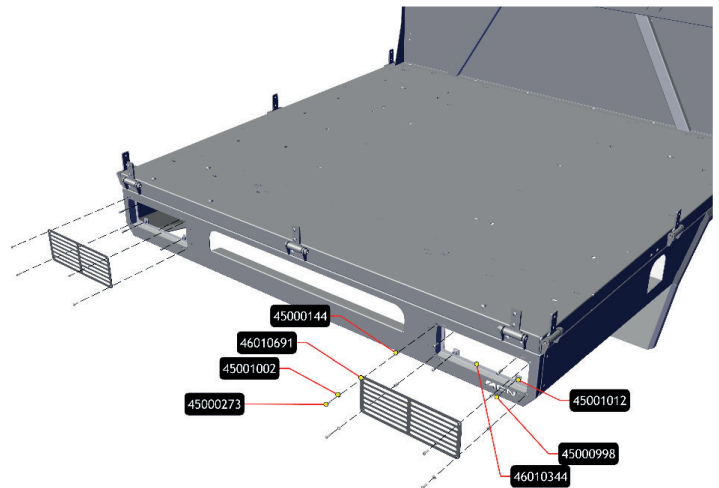
## Step 8

Once that is done, fit both Rear light Protections (**46010691**). Bolts needed:

8x Bolts **M5x15 45000273**  
8x Washers **M5 45001002**  
8x Nuts **M5 45000144**

**46010344**

8x Bolts **M6x20 45000998**  
8x Cage Nuts **M6 45001012**

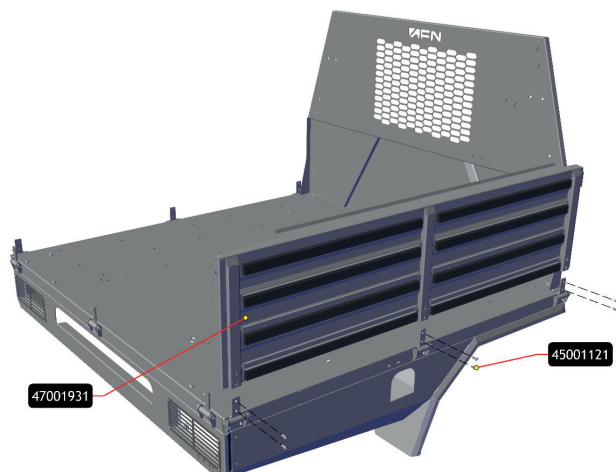


## Step 9

Fit Drop Side (**47001931**).  
Bolts needed:

8x Bolts **M8x16 45001121**

Repeat this step for the other Drop Sides (**47001926**) and (**47001932**).



## Step 10

Once all Drop Sides are fitted, fit parts (**46007260**).

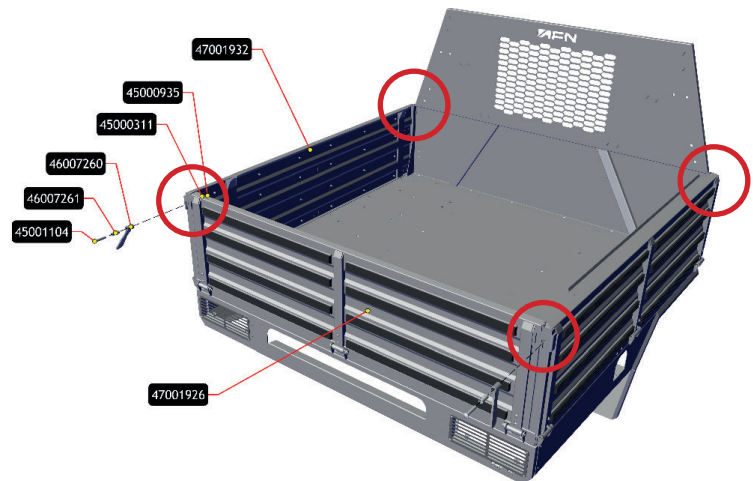
Bolts needed:

4x Bolts **M10x50 45001104**

4x Stainless Steel Sleeve **M10 46007261**

4x Washers **M10 45000311**

4x Nylock Nuts **M10 45000935**



## Step 11

Flatbed with Drop Sides is fitted!

