

CRAFTED LIKE NO OTHER

DON'T JUST SETTLE
FOR THE SAME
OLD BULL

OWNER MANUAL

FORD
RANGER RAPTOR 2023+



WELCOME TO THE AFN FAMILY

This manual contains the **Ford Ranger Raptor +2023** fitting instructions for:
Front Bumper w/ Fog Lights Ref.: 48002883

1 INTRODUCTION



The Company

Founded in 1995, AFN - 4x4 Accessories dedicates itself to the production and commerce of all-terrain accessories. Its constant concern in its customers total satisfaction, and in the ideals of innovation and transformation have granted a position of notability both in the national and international panorama.

The only company in Portugal in the mass production of 4x4 accessories, relies on specialized and experienced technicians, with the most adequate knowledge, to an efficient response capability to its customers demands.

Thanks to the specialization in the several areas of design and manufacture and to a constant investment in technology, AFN has been broadening its wide range of products, without ever neglecting the quality factor.

4x4 Accessories

In its diversity of products we can include, with all-terrain quality, protection, safety and aesthetic accessories.

And it is here that AFN invest on the best technology, the best cut precision of the raw material, and the transformation of products with the quality recognized in the marketplace.

AFN has, at its disposal, resources to test and analyse the resistance of its products and stands in the front row regarding the European homologation of materials dedicated to all terrain.

The contact with the most important test laboratories for vehicles, both in England, Spain and Germany, provides AFN with the know-how to manufacture a wide range of quality products.

Our Design Approach

AFN designs each accessory taking into consideration the original model lines and fitting points. We refuse to have a "one design fits all" solution and we are always looking forward to embrace new challenges on how to adjust a new product into a new model!

The days of just throwing on a bit of steel together to form a protection system are gone. AFN is leading the way modern vehicle protection components are manufactured. Other will follow, and it won't be long where the AFN approach to Styling, Fit, Form and Function will become the benchmark for all other manufacturers.

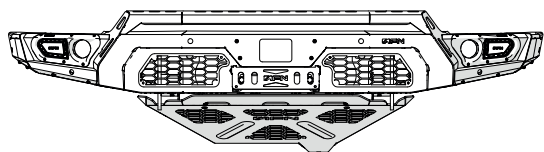




INDEX

AFN 4x4 Accessories

Product: **Front Bumper w/ Fog lights**
Part Ref.: **48002883**



Introduction 2

1 Checklist 4
Product 48002883

2 Fitting Instructions 6

3 RANGER RAPTOR Catalogue 21

4 Warranty Terms 23

5 Attachments 24

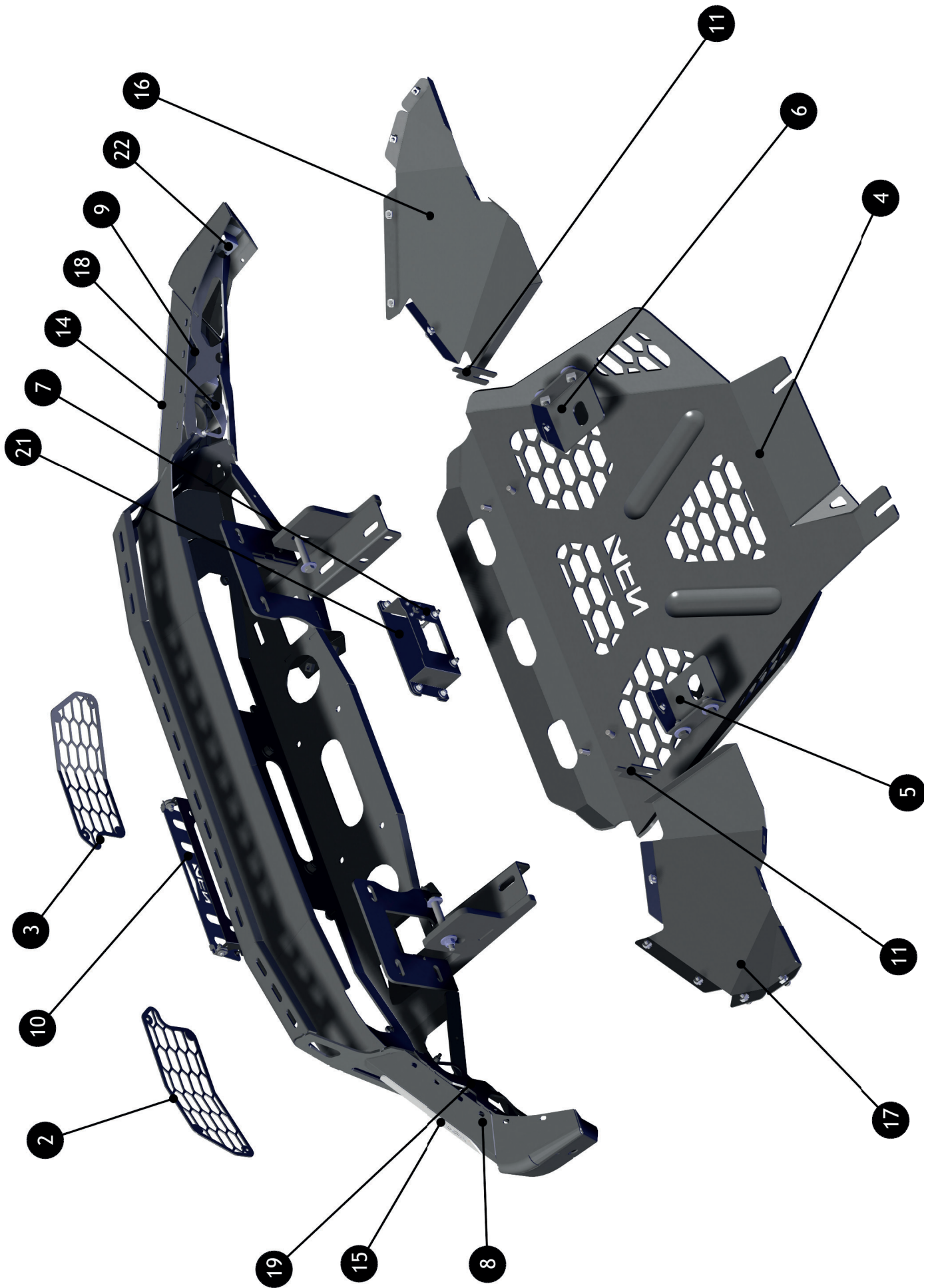


1 CHECKLIST

- In this section you have a checklist with all parts included for the installation of your AFN product
- This product should be installed as demonstrated in the product fitting instructions
- If verified that any component is damaged, please contact your nearest AFN distributor
- The specified parts will only fit in the models specified by AFN
- Do not modify any component of the product

This checklist is only for product **48002883**.

NUMBER	DESCRIPTION	REFERENCE	QTY	NUMBER	DESCRIPTION	REFERENCE	QTY
1	Front Bumper - RANGER RAPTOR 2023	47002832	1x	26	Bolt M10x25	45001582	4x
2	Bumper Grill (Left Side)	47002833	1x	27	Nylock Nut M12	45001558	2x
3	Bumper Grill (Right Side)	47002834	1x	28	Nylock Nut M6	45001522	12x
4	Front Skid Plate <small>STAINLESS STEEL</small>	47002835	1x	29	Bolt M6x20	45001509	6x
5	Bracket for OEM Radiator (Right Side)	47002846	1x	30	Rubber Nut	45001269	4x
6	Bracket for OEM Radiator (Left Side)	47002847	1x	31	Bolt M6x20	45001257	4x
7	Radar Bracket - RANGER RAPTOR 2023	47002867	1x	32	Washer M6 (small)	45001256	12x
8	AFN LED Indicator Lights - (Left Side)	47002088	1x	33	Washer M12 (small)	45001253	4x
9	AFN LED Indicator Lights - (Right Side)	47002089	1x	34	Washer M6 (big)	45001252	6x
10	Foldable Plate Bracket	47002665	1x	35	Washer M10 (big)	45001251	4x
11	Side Shim 3mm	46011961	2x	36	Washer M12 (big)	45001250	6x
12	Parking Sensor Bracket (Front)	46011663	4x	37	Bolt M4x12 <small>STAINLESS STEEL</small>	45001232	6x
13	Ball Stud Bolt M6	46011662	2x	38	Flange Nut M4	45001166	6x
14	Mask for Fog and Indicator Lights - (Left Side)	46011622	1x	39	Bolt M4x16 <small>STAINLESS STEEL</small>	45001114	12x
15	Mask for Fog and Indicator Lights - (Right Side)	46011621	1x	40	Plastic Nut M3,5	45001113	12x
16	Left Wing	46011618	1x	41	Bolt M3x10 <small>STAINLESS STEEL</small>	45001045	4x
17	Right Wing	46011617	1x	42	Nylock Nut M3 <small>STAINLESS STEEL</small>	45001043	4x
18	Headlight Bracket (Left Side)	46011616	1x	43	Washer M3 <small>STAINLESS STEEL</small>	45001041	8x
19	Headlight Bracket (Right Side)	46011615	1x	44	Cage Nut M6	45001012	10x
20	Sleeve M10	46011560	2x	45	Bolt M6x20 <small>STAINLESS STEEL</small>	45000998	10x
21	Radar Cover	46011370	1x	46	Washer M6 (small)	45000979	10x
22	Parking Sensor Bracket (Sides)	46011416	2x	47	Bolt M10x25 <small>STAINLESS STEEL</small>	45000956	4x
23	Rubber Bolt Ø12	45002084	4x	48	Bolt M10x100x30	45000241	2x
24	Plastic Washer M6	45001802	8x	49	Nylock Nut M10	45000017	2x
25	Bolt M12x25	45001719	2x	50	Washer M10 (big)	45000010	4x
				51	Nut Plate M6	47002470	2x



2 FITTING INSTRUCTIONS

WARNING:

Before you begin installation, read all instructions thoroughly. Proper tools will improve the quality of installation and reduce the time required.

- This product should be installed as demonstrated in the *Product «Fitting Instructions»*;
- The specified parts, will only fit the models specified by **AFN**;
- Do not modify any component of the product;
- It is recommended that this product is installed by specialized and trained personnel;
- AFN doesn't take responsibility for changes made in the vehicle by its manufacturer;
- Work safely and use specialized tools at all times;
- **Always use protective gear.**

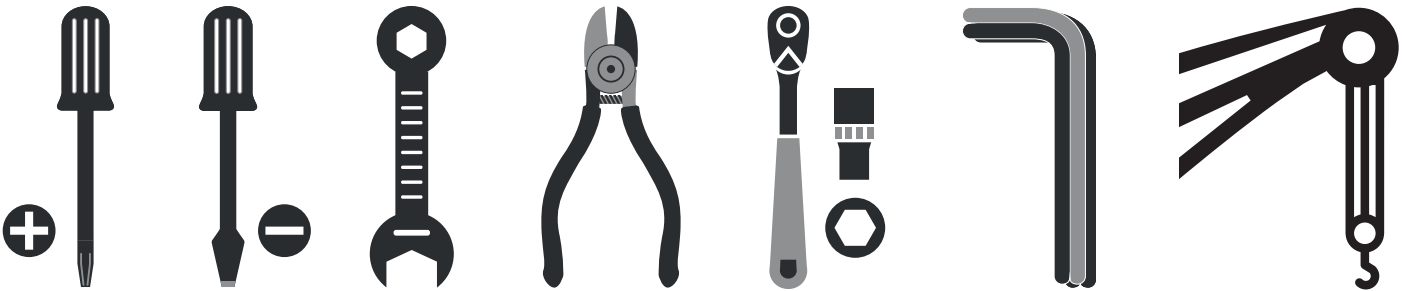


Size	Torque Nm	Torque lbft
M6	9 Nm	7 lbft
M8	22 Nm	16 lbft
M10	44 Nm	32 lbft
M12	77 Nm	57 lbft

Mouting Time

- 6-8 hours
- At times 2 people will be required to lift the bumper into place

Tools Required



- Screwdriver star head
- Screwdriver flat head
- Wrench
- Wire cutter
- Ratchet wrench
- Allen wrench
- Crane

Step 1

Start by placing your vehicle in a lift, so it's easier to remove the OEM* bumper.

(Be aware that you must save the OEM bolts and nuts.)



Step 2

Remove the OEM* underbody protection, loosen the 4x OEM* bolts.



Step 3

Then, on the sides, there are some plastics parts that need to be removed, unscrew 3x OEM* bolts.

Once that is done, **gently push** it.

Then, unplug the electrical wiring from the OEM* fog lights.



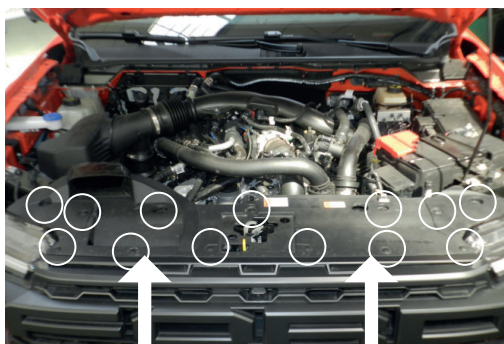
Step 4

Once that is done, remove the OEM* plastic cover.

Unscrew 13x OEM* bolts.

Also, loosen the air intake, so you can remove this plastic cover.

Then, unplug the electrical cable, as showed.

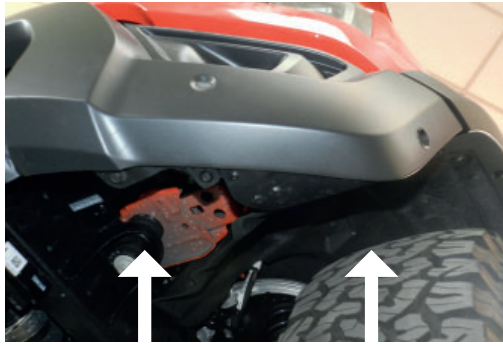


*OEM - Original Equipment Manufacturer

Step 5

Once that is done, loosen the *OEM** Front Bumper.

Unscrew 13x *OEM** bolts.



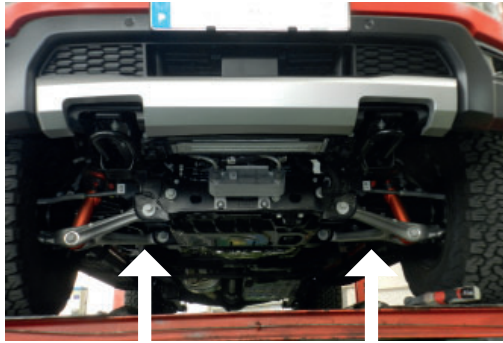
Then, on the sides of the *OEM** Front Bumper, there 2x *OEM** bolts that need to be unscrewed.



Step 6

Once that is done, remove the *OEM** Front Grey Plastic.

Unscrew 1x *OEM** bolt and 3x *OEM** pins.

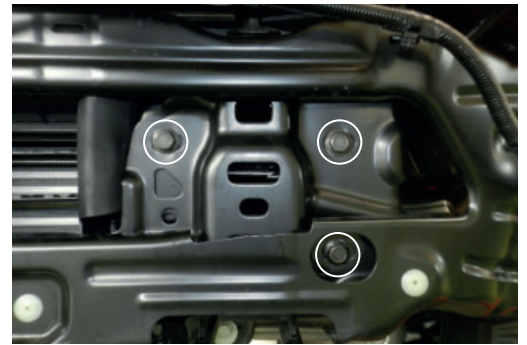


Step 7

Once that is done, remove the *OEM** Bumper Structure.

Unscrew 6x *OEM** bolts.

Be careful of the electrical cablings.

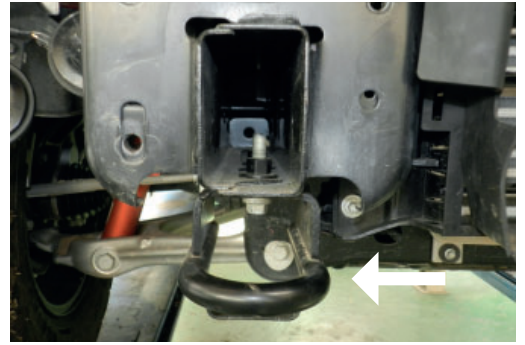


Step 8

If you done it correctly this is what it should look like.

Then, remove both *OEM** Recovery Points.

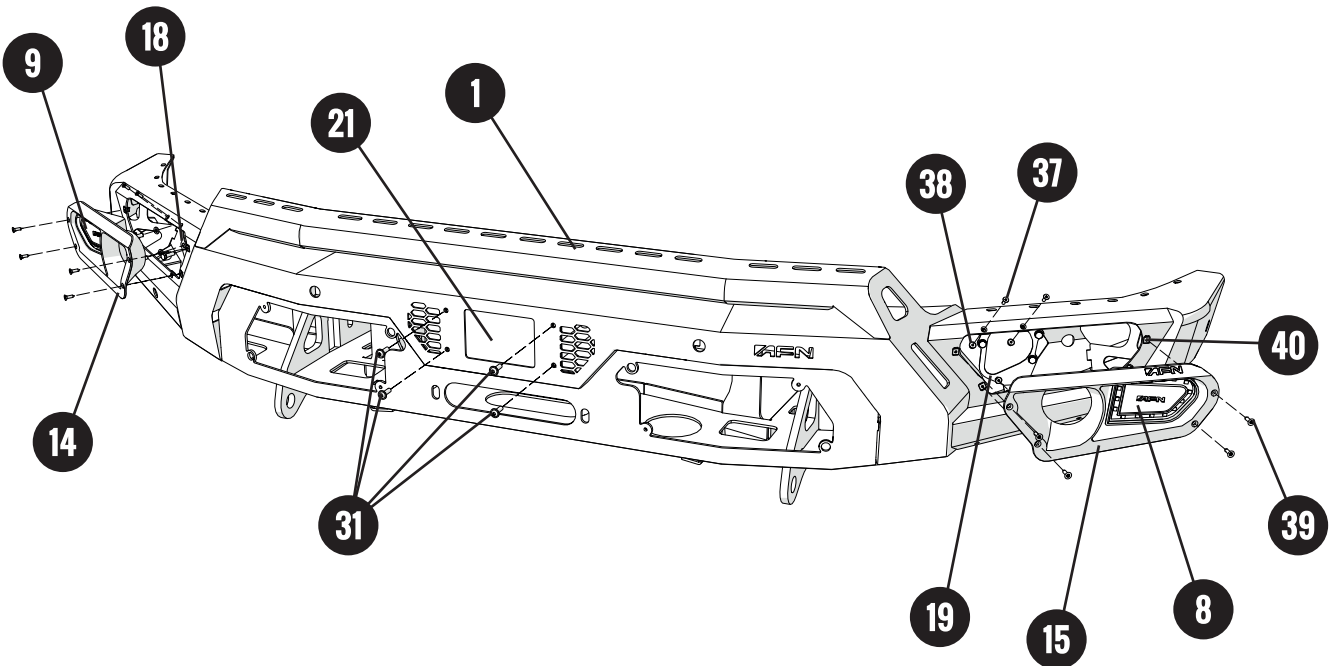
Unscrew 2x *OEM** bolts, on each.



*OEM - Original Equipment Manufacturer

Step 9 - Fitting of the AFN Winch Bracket in the Vehicle

Preview



Parts needed:

- | | | | | | |
|---|---------------------------------------|--|---|-----------------------------|--|
| 1
 | 7
 | 8
 | 9
 | 13
 | 14
 |
| x1 Front Bumper RAPTOR | x1 Bracket for OEM Radar | x1 AFN LED Indicator Lights Left Side | x1 AFN LED Indicator Lights Right Side | x2 Ball Stud Bolt M6 | x1 Mask for Fog and Indic. Lights Left Side |
| 15
 | 18
 | 19
 | 21
 | 28
 | 31
 |
| x1 Mask for Fog and Indic. Lights Right Side | x1 Fog Light Bracket Left Side | x1 Fog Light Bracket Right Side | x1 Radar Cover | x6 Nylock Nut M6 | x4 Bolt M6x20 |
| 32
 | 34
 | 37
 | 38
 | 39
 | 40
 |
| x12 Washer M6 small | x6 Washer M6 big | x6 Bolt M4x12 | x6 Flange Nut M4 | x8 Bolt M4x16 | x8 Plastic Nut M3,5 |
| 41
 | 42
 | 43
 | | | |
| x4 Bolt M3x10 | x4 Nylock Nut M3 | x8 Washer M3 small | | | |

Step 9 - Fitting of the AFN Winch Bracket in the Vehicle

Installation

ATTENTION!

Before fitting the **AFN Front Bumper(1)** on the vehicle there are some details that we advise to do first.

Start by removing the *OEM** Radar from the original Bumper, and fit it in **Bracket for OEM Radar(7)**, using 2x Ball Stud Bolt **M6(13)**, 2x Washers **M6(34)**, and 2x Nylock Nuts **M6(28)**.

Then, use 4x Bolts **M3x10(41)**, 4x Washers **M3(43)**, and 4x Nylock Nuts **M3(42)**.

Finally, fit the **Bracket for OEM Radar(11)** in **AFN Front Bumper(1)**. Use 4x Bolts **M6x20(31)**, 4x Washers **M6(34)**, and 4x Nylock Nuts **M6(28)**.

Also use the **Radar Cover(21)**, as showed.

Give the final torque.

Once that is done, it's time to fit the **Mask for Fog and Indicator Lights(15)** and Left Led Indicator Light(8) in the **AFN Front Bumper(1)**.

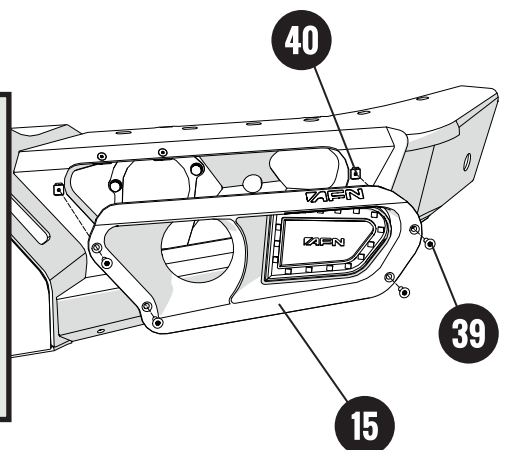
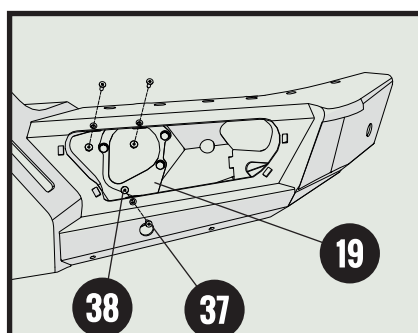
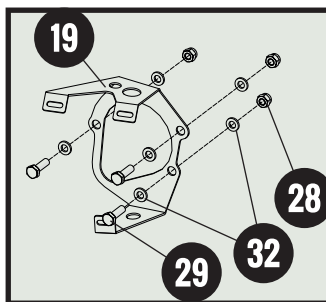
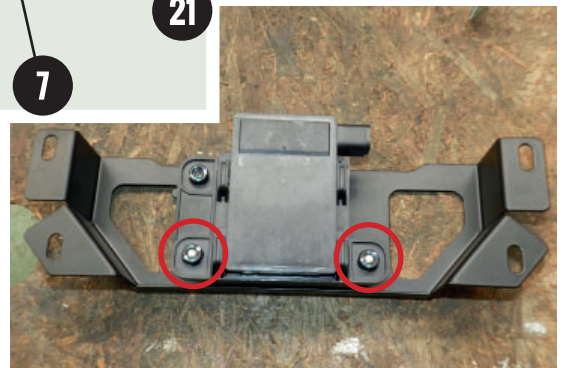
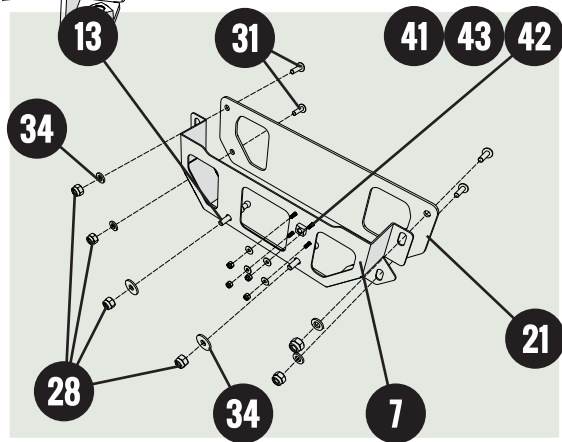
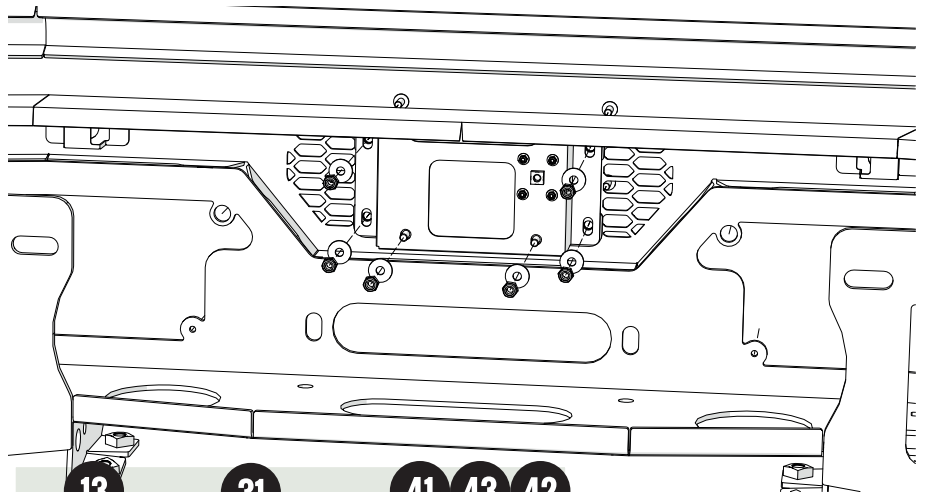
Take on *OEM** **Fog Light** and fit it in the **Support for Fog Light(19)**. Use 3x Bolts **M6x20(29)** with 6x Washers **M6(32)** and 3x Nylock Nuts **M6(28)**. *(these bolts are already fitted on the Bumper)*

Then, fit this assembly(19), in the **AFN Front Bumper(1)** use 3x Bolts **M4x12(37)** with 3x Flange Nuts **M4(38)**.

Finally, fit the **Mask for Fog and Indicator Lights(15)** in the **AFN Front Bumper(1)** use 4x Bolts **M4x16(39)** with 4x Plastic Nuts **M3,5(40)**.

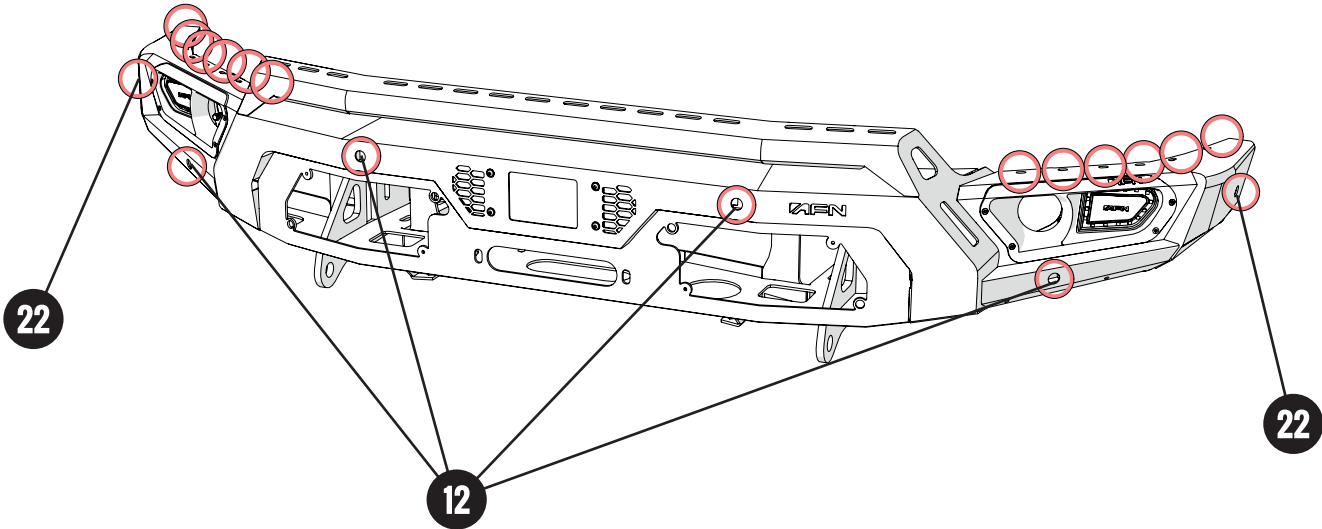
Repeat this step for the other side, using **Mask for Fog and Indicator Lights(14)** and **Support for Fog Light(18)**.

Once everything is correctly fitted, **Give the final torque on all bolts.**



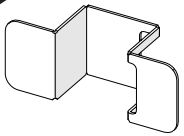
Step 10 - Fitting the Headlight Brackets and Grill Bracket

Preview

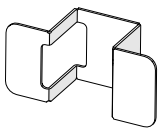


Parts needed:

12



22



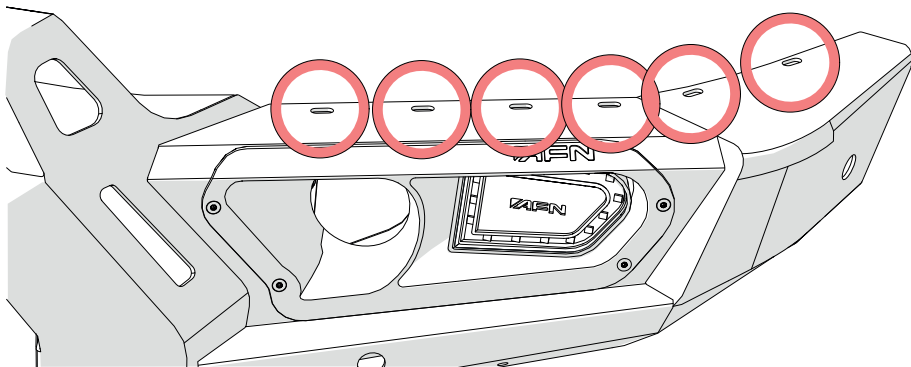
x4 Parking Sensor Bracket **x2** Parking Sensor Bracket
Front Sides

Step 10 - Fitting the Headlight Brackets and Grill Bracket

Installation

Now, it's time to fit the *OEM** Side Rubbers in the **AFN Front Bumper(1)**.

Check the image below to see where it fits. (see red circles, on picture)



If you have done it correctly, this is what it should look like.



Then, use the supplied Parking Sensor Brackets:

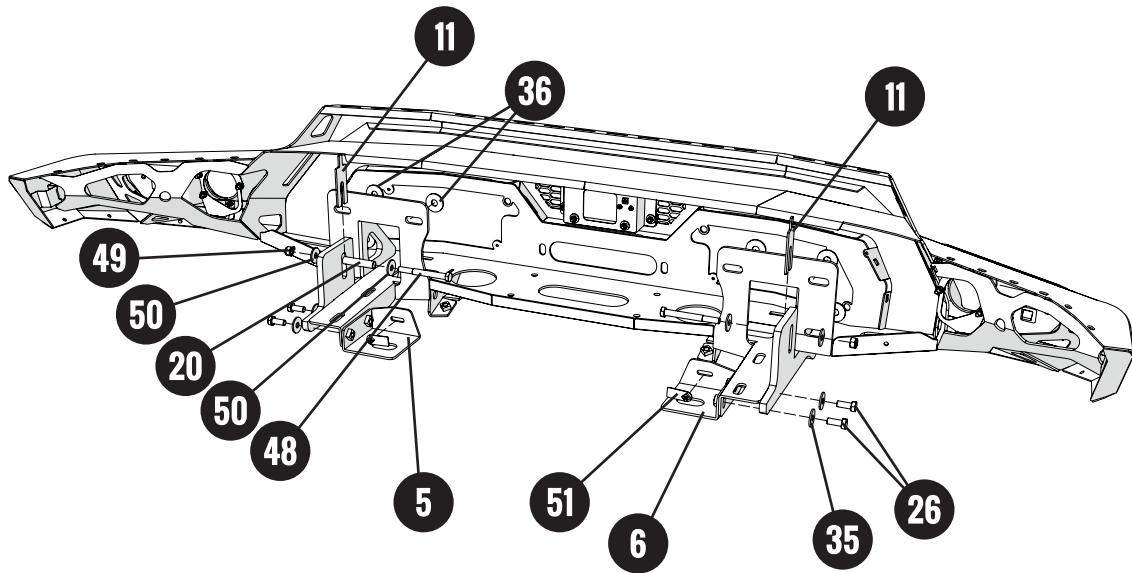
- 4x in the **Front(12)**;
- 2x on the **Sides(22)**;

If you have done it correctly, this is what it should look like.

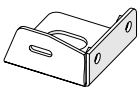
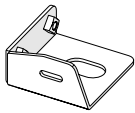
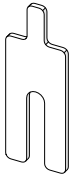

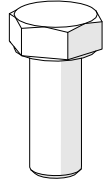
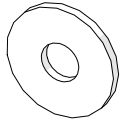
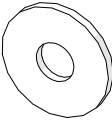

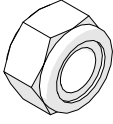
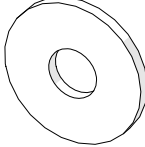
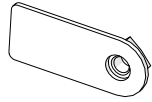


Step 11 - Fitting the AFN Bumper in the Vehicle

Preview



Parts needed:

- | | | | | | |
|--|---|--|--|--|---|
| <p>5</p>  <p>x1 Bracket for OEM Radiator
Right Side</p> | <p>6</p>  <p>x1 Bracket for OEM Radiator
Left Side</p> | <p>11</p>  <p>x2 Side Shim
3 mm</p> | <p>20</p>  <p>x2 Sleeve M10</p> | <p>26</p>  <p>x4 Bolt M10x25</p> | <p>35</p>  <p>x4 Washer M10
<i>big</i></p> |
| <p>36</p>  <p>x6 Washer M12
<i>big</i></p> | <p>48</p>  <p>x2 Bolt M10x100x30</p> | <p>49</p>  <p>x2 Nylock Nut M10</p> | <p>50</p>  <p>x4 Washer M10</p> | <p>51</p>  <p>x2 Nut Plate M6</p> | |

Step 11 - Fitting the AFN Bumper in the Vehicle

Installation

Once the **AFN Front Bumper(1)** is ready, it's time to fit it into the **Vehicle**.

Use 6x *OEM** Bolts, with 6x Washers **M10(36)**.

Then, on the sides use 1x Bolt **M10x100x30(48)** with 1x Sleeve **M10(20)** 2x Washers **M10(50)** and 1x Nylock Nut **M10(49)**.

Finally, fit the Brackets for *OEM** Radiator(**5**) and (**6**) using 4x Bolts **M10x25(26)** and 4x Washers **M10(35)**. Also use 2x *OEM** Bolts and 2x Nut Plates **M10(51)**.

Just finger tight all bolts

Do Not tighten yet.

Now, it's time to check if the **AFN Bullbar | Bumper(1)** is correctly aligned to the **Vehicle**.

If not, loosen the **Bolts of the Winch Mount** and **ADD/REMOVE** the shims, depending on what suits better between the **AFN Front Bumper(1)** and the **Vehicle**.

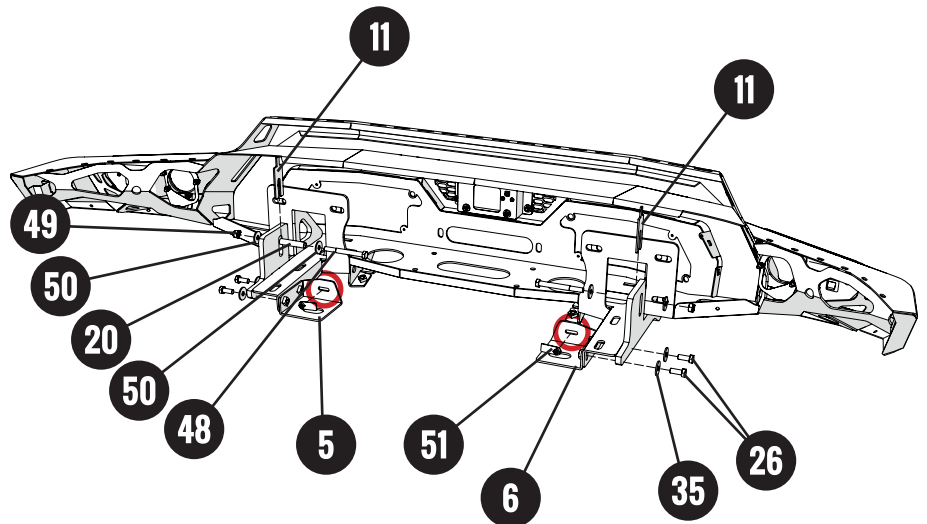
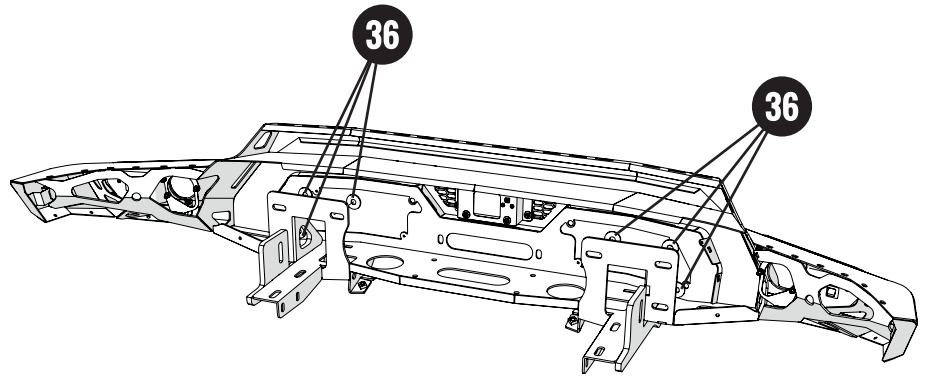
The side shims(**11**) allows the corners of the **AFN Bullbar | Bumper(1)** to open or to close, depending if they are fitted or not.

Mind that this is a precision task, please take time to correctly assemble this step.

Use them only if you have to, they are optional and may not be needed.

Once everything is correctly fitted, **Give the final torque on all bolts.**

If you have done it correctly, this is what it should look like.

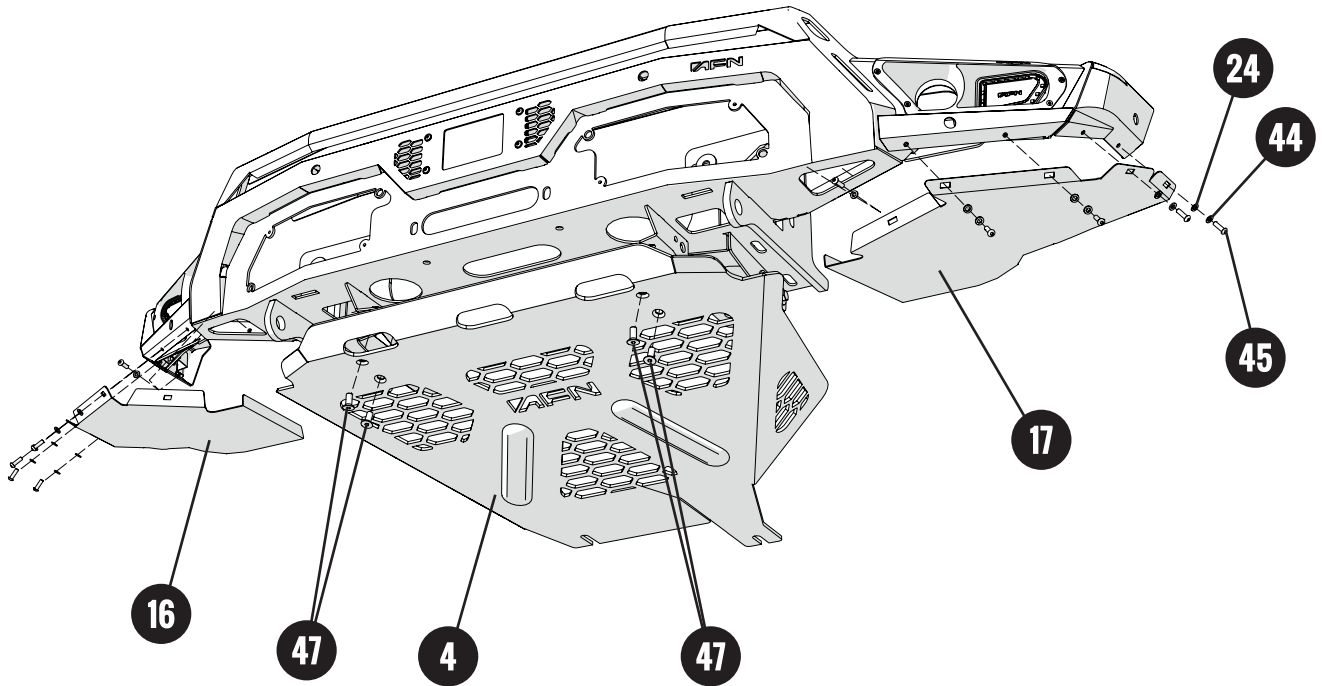


The **AFN Bullbar | Bumper(1)** must have an equal gap (**10-15 mm**) on both sides and also near the headlights.

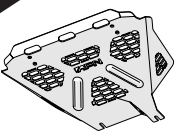
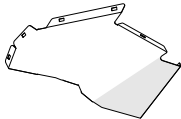
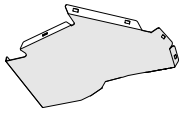
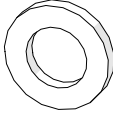
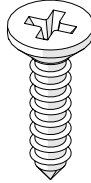
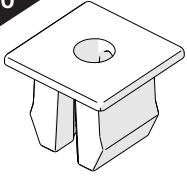
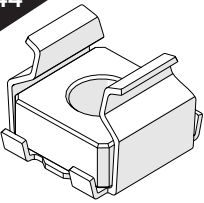
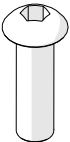
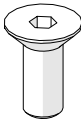
**OEM - Original Equipment Manufacturer*

Step 12 - Fitting the Wings in the AFN Bullbar | Bumper

Preview



Parts needed:

- | | | | | | |
|---|---|---|---|--|--|
| <p>4</p>  <p><small>STAINLESS STEEL</small></p> <p>x1 Front Skid Plate</p> | <p>16</p>  <p>x1 Right Wing</p> | <p>17</p>  <p>x1 Left Wing</p> | <p>24</p>  <p>x8 Plastic Washer M6</p> | <p>39</p>  <p>x4 Washer M4x12</p> | <p>40</p>  <p>x4 Plastic Nut M3,5</p> |
| <p>44</p>  <p>x10 Cage Nut M6</p> | <p>45</p>  <p><small>STAINLESS STEEL</small></p> <p>x10 Bolt M6x20</p> | <p>47</p>  <p><small>STAINLESS STEEL</small></p> <p>x4 Bolt M10x25</p> | | | |

Step 12 - Fitting the Wings in the AFN Bullbar | Bumper

Installation

Take on **Left Wing(17)** and fit it on the **AFN Front Bumper(1)**.

But first we advise to fit 5x Cage Nuts **M6(44)**.

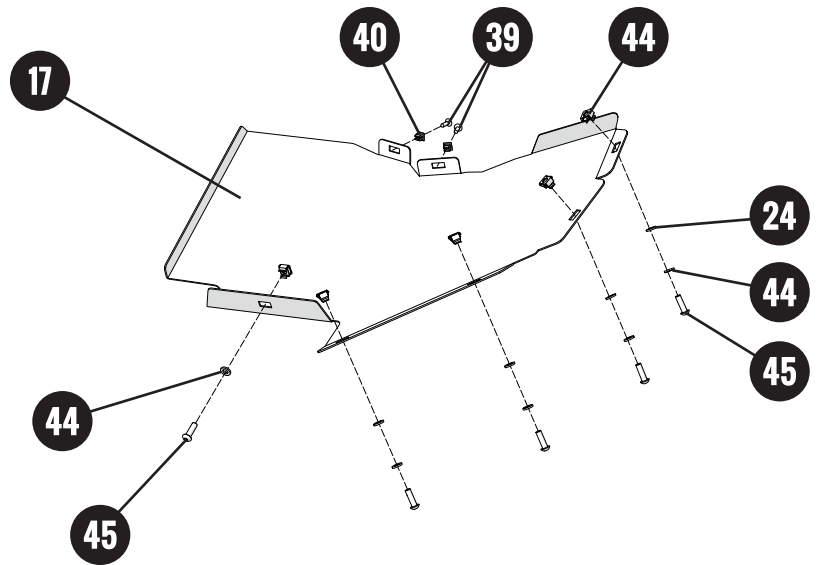
On the Rear, fit 2x Plastic Nuts **M3,5(40)**.

Tip1:

You may use a screwdriver to easily fit the 12x Cage Nuts(44).

Tip2:

You may use a rubber mallet to easily fit the 8x Plastic Nuts(40).



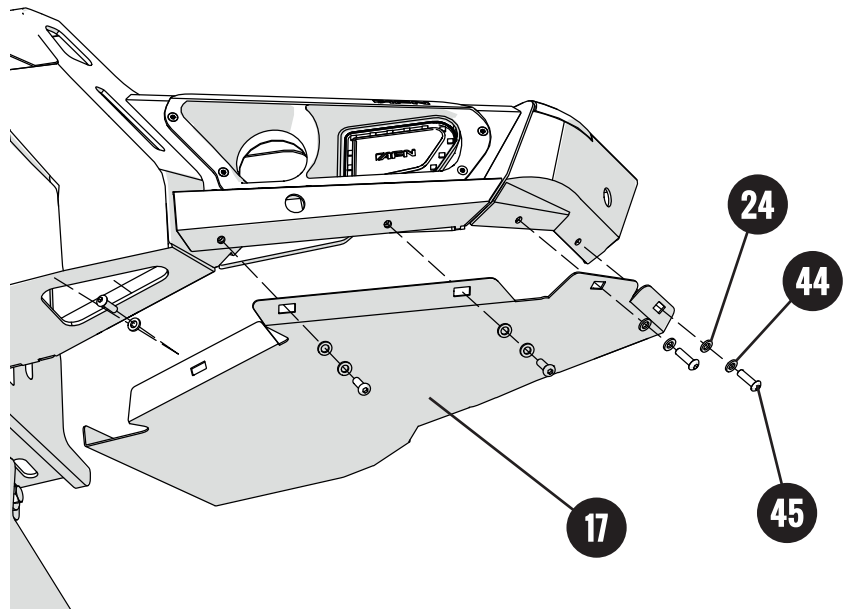
Once that is done, fit the **Left Wing(17)** in the **AFN Front Bumper(1)**.

In the front:

Use 5x Bolts **M6x20(45)** with 4x Washers **M6(44)** and 4x Plastic Washers **M6(24)**.

In the rear:

Use 2x Bolts **M6x20(39)** with 2x Washers **M6(40)**.



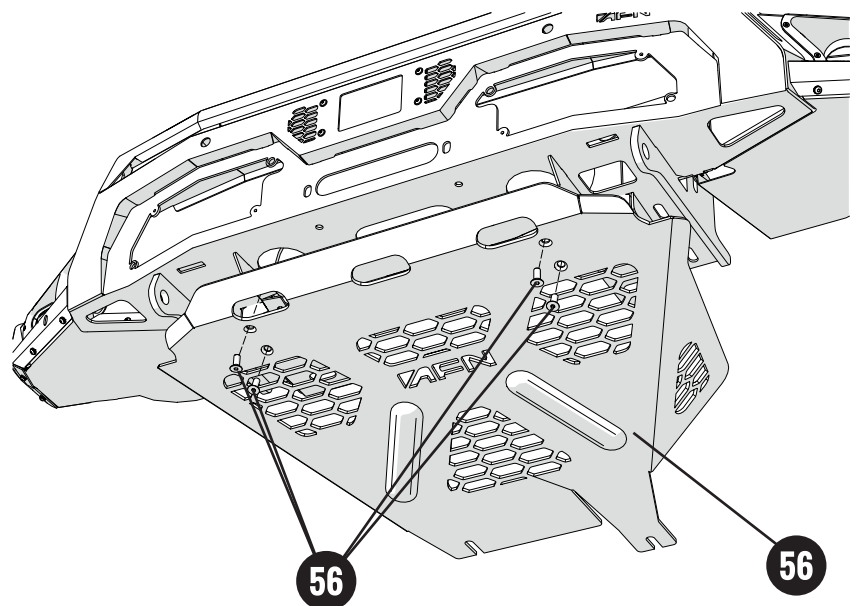
Give the final torque.

Move the **Plastic fender** against the **Left Wing(17)** and mark the cut line. then cut **OEM*** plastic fender.

After the **Plastic fender** is cutted, move it to the inside of the **Left Wing(17)** and drill a **7mm** diameter hole.

Then, move the **Plastic fender** to the outside of the **Left Wing(17)** and fit them through these holes using 2x Bolts **M4x16(39)**.

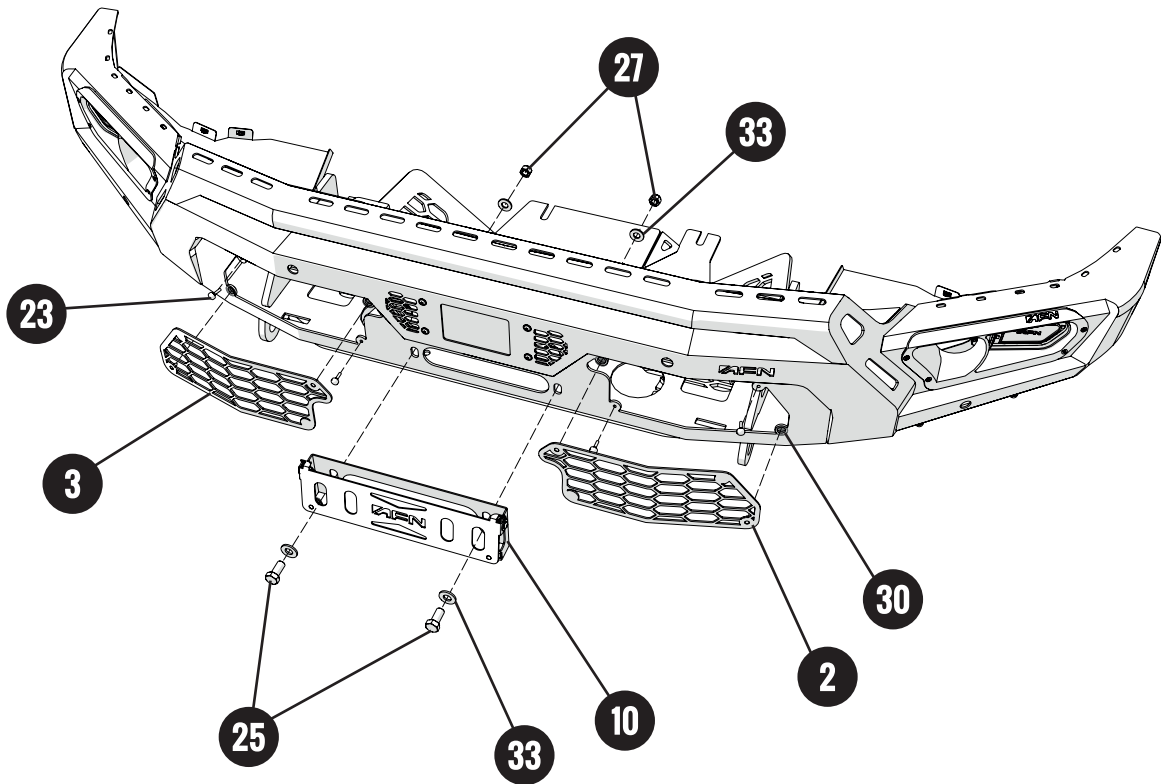
Repeat all these steps on the other side for the **Right Wing(16)**.



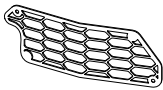
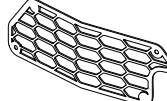
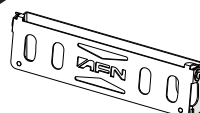
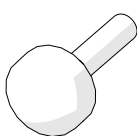
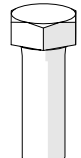
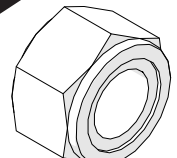
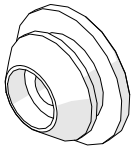
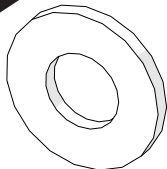
Give the final torque.

Step 13 - Fitting the Bumper Grills and License Plate in the AFN Bumper

Preview



Parts needed:

- | | | | | | |
|--|---|--|---|---|--|
| <p>2</p>  <p>x1 Bumper Grill
<i>Left Side</i></p> | <p>3</p>  <p>x1 Bumper Grill
<i>Right Side</i></p> | <p>10</p>  <p>x1 Foldable License Plate</p> | <p>23</p>  <p>x2 Bolt M12x25</p> | <p>25</p>  <p>x2 Bolt M12x25</p> | <p>27</p>  <p>x2 Nylock Nut M12</p> |
| <p>30</p>  <p>x4 Rubber Nut</p> | <p>33</p>  <p>x2 Washer M12
<i>small</i></p> | | | | |

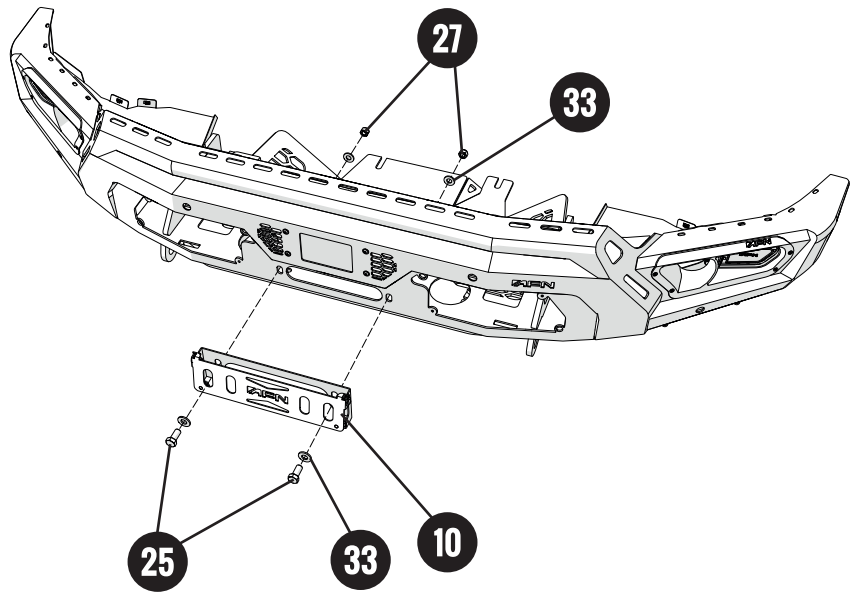
Step 13 - Fitting the Bumper Grills and License Plate in the AFN Bumper

Installation

Start by fitting the **Foldable Plate Bracket(10)** in the **AFN Front Bumper(1)**.

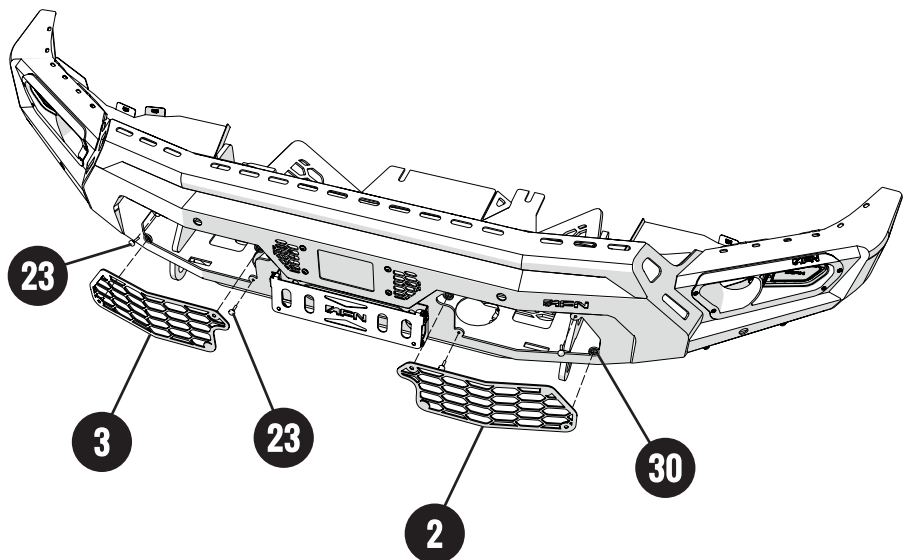
Use 2x Bolts **M12x25(25)** with 4x Washers **M12(33)** and 2x Nylock Nuts **M12(27)**.

Give the final torque.



Finally, it's time to fit both **Bumper Grills(2)** and **(3)** using 4x Rubber Nuts**(30)** and 4x Rubber Bolts**(23)**.

Give the final torque.



If you have done it correctly, this is what it should look like.



Step 14 - Final Result

Your new **AFN Bullbar | Front Bumper** is now installed on your **Ford RANGER RAPTOR!**

Have Fun!



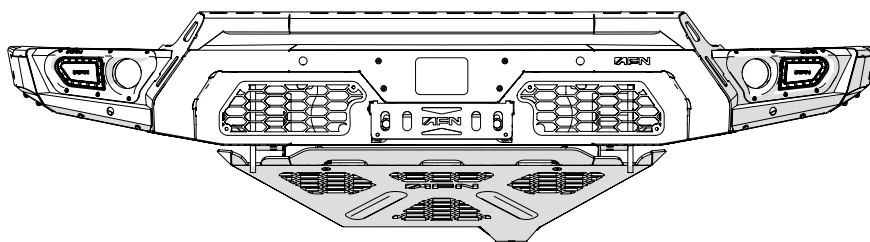
Reminder !

Before operating a vehicle fitted with an **AFN Front Bumper | Bullbar**:

- Make sure all fittings are tightened
- Check winch operation (if installed)
- Check all electrical wiring attached to lights and parking sensors (if installed)

Maintenance | Care

Periodically check and tighten all nuts. Stripped, fractured or bent bolts or nuts need to be replaced.





3 RANGER RAPTOR CATALOGUE

AFN 4x4 Accessories is becoming a well known brand for its products due to its quality, design and safety which are challenged for thousands of people everyday, worldwide.

In its diversity of products we can include, with all-terrain quality, protection, safety and aesthetic accessories. With that being said, **AFN 4x4** has some other accessories that every offroad passionate would like to have, such as **Body Protections, Underbody Protections, Light Holders, Storage** (Wheel Supports and Jerry-can carriers) and others related to the **Aesthetics**.

We have some 4x4 accessories that combine with the original model lines that if you take a closer look you will see that they don't appear to be an accessory, but a must-have.

Please be in mind that some accessories are available only to some models.

Feel free to check all the products that may interest you in our website at: www.afn.pt



Ref.: 48002883 - Front Bumper w/ Fog Lights

4 WARRANTY TERMS

AFN4x4 products are warranted free from defects in materials and workmanship for a period of two (2) years from the date of initial retail purchase. Third-party components are delivered under the original manufacturer warranty.

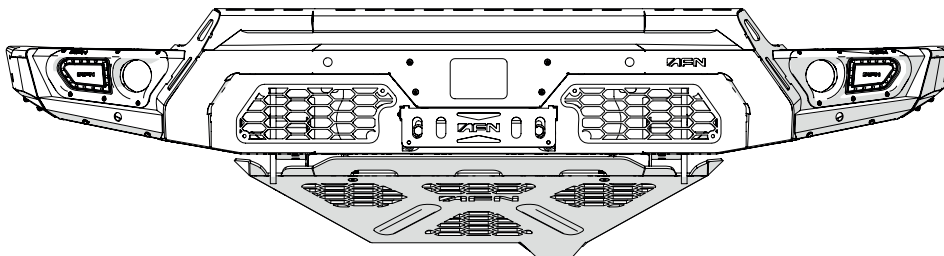
Under the present warranty, **AFN4x4** obligation shall be limited to repairing, replacing or crediting, at its option, any part found to be defective.

AFN4x4 does not warrant or make any representations concerning its goods when:

- a) The products are purchased used, scratch and dent or when the box was opened.
- b) The products are not installed, used, and maintained strictly in accordance with **AFN4x4**'s instructions.
- c) The products are installed in vehicles that are used in competition.
- d) The products are installed in vehicles fitted with aftermarket non-standard tires with diameters in excess of OEM* specifications.
- e) The products are installed in vehicles with engines that have been modified to increase performance.

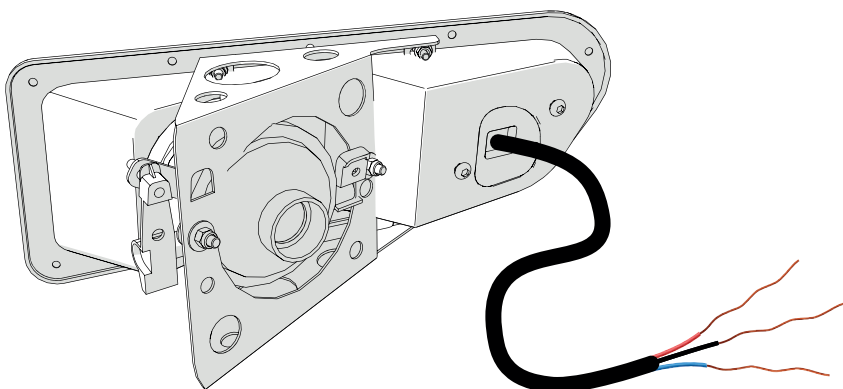
AFN4x4 will not be responsible for goods damaged in transit. If any goods arrive damaged, please contact the **AFN4x4** as soon as possible. **AFN4x4** will assess and may arrange to have the damaged goods returned to a **AFN4x4** Distributor and arrange for a replacement of the goods. Damaged goods must be returned in the condition received by you with all original packaging, accessories and/or manuals. If they are not returned in same condition sent there may be an additional fee charged.

To file a claim under this warranty please contact **AFN4x4** at +351 256 808 300 or via email at geral@afn.pt to request a *Returned Goods Authorization (RGA)* number and instructions for returning the defective component.



AFN LED LIGHTS 48002544

5 ATTACHMENTS

**Electrical Fittings:**

- The **Red One** / **Brown One** must be connected to the Positive of the OEM Day Running Light.
- The **Black One** must be connected to the Neutral cable of the vehicle.
- The **Blue One** must be connected to the Positive of the OEM blinkers.

Test if everything is correctly functioning.

DON'T JUST SETTLE FOR THE SAME OLD BULL



WWW.AFN.PT | SALES@AFN.PT | FACEBOOK.COM/AFN4X4

WELCOME TO THE AFN FAMILY



PROGRAMA OPERACIONAL REGIONAL DO NORTE



União Europeia

Fundo Europeu de Desenvolvimento Regional

