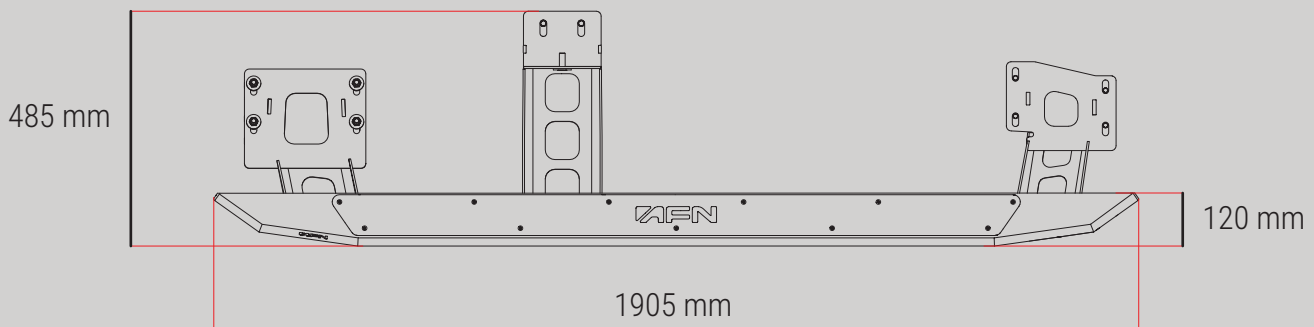
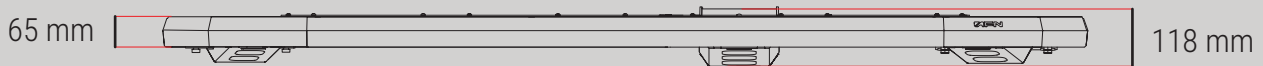


PRODUCT SPECIFICATIONS

48002930 SIDE STEPS INEOS GRENADIER



Weight: 40 Kg

SPECIFICATION INEOS GRENADIER SIDE STEPS

- HOT ROLLED STEEL DD11 EN 10111-2008 \neq 3 mm
- HOT ROLLED STEEL DD11 EN 10111-2008 \neq 4 mm
- ALUMINUM EN Aw 5754 H111 MILL FINISH \neq 2 mm + 1mm

Bumper in standard is shot blasted and painted in epoxy powder primer and powder paint NOIR 248 (RNLT 20509).