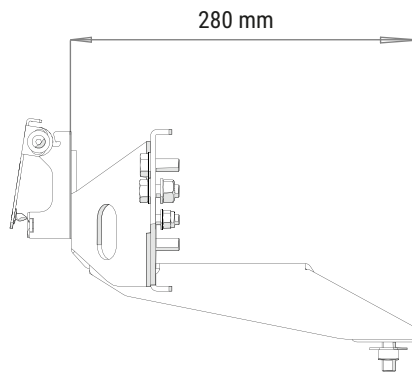
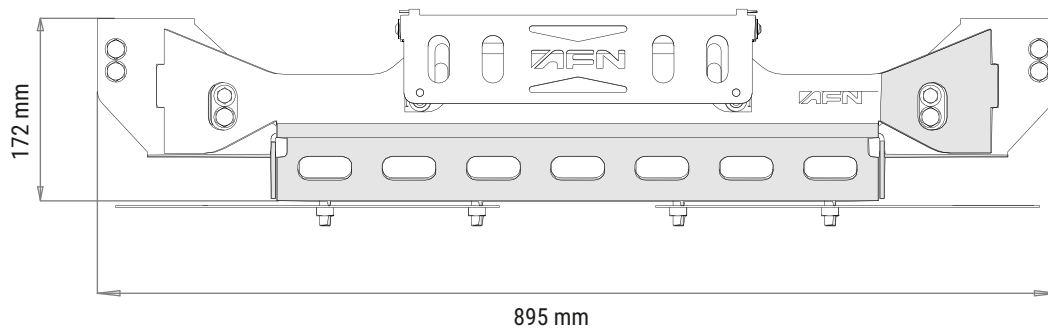
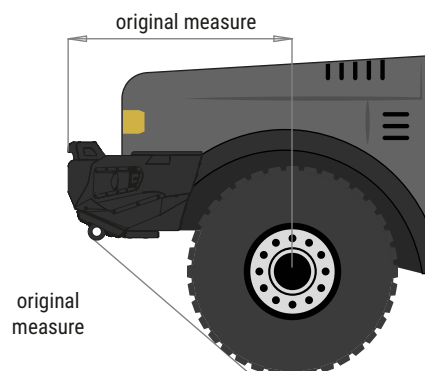


48002748 HIDDEN WINCH MOUNT ISUZU D-MAX



Weight: 8,5Kg

APPROACH AND DEPARTURE ANGLES



*referring to the original tire