

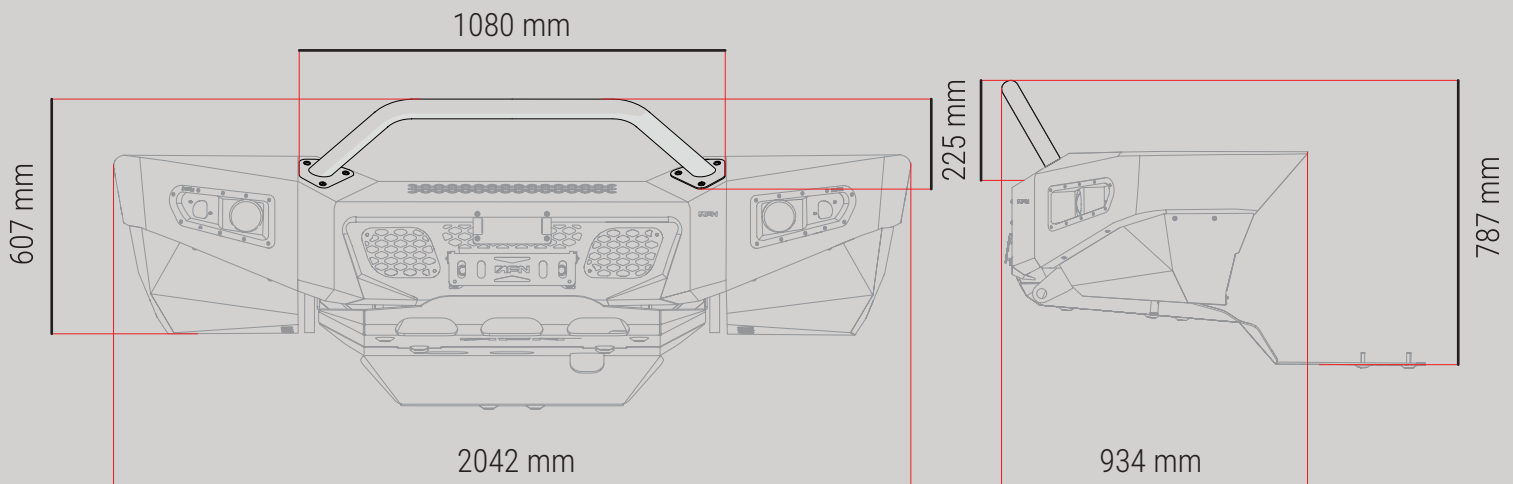
# PRODUCT SPECIFICATIONS



## 48002914

### BOLT-ON A-BAR FOR BUMPER REF:48002913

MERCEDES SPRINTER



Weight: 5Kg

## SPECIFICATION MERCEDES SPRINTER BOLT-ON A-BAR

HOT ROLLED STEEL DD11 EN 10111-2008  $\neq$  3 mm

STEEL PIPE EN 10305-3, 50 mm diameter, 2 mm thickness

Bumper in standard is shot blasted and painted in epoxy powder primer and powder paint NOIR 248 (RNLT 20509).