

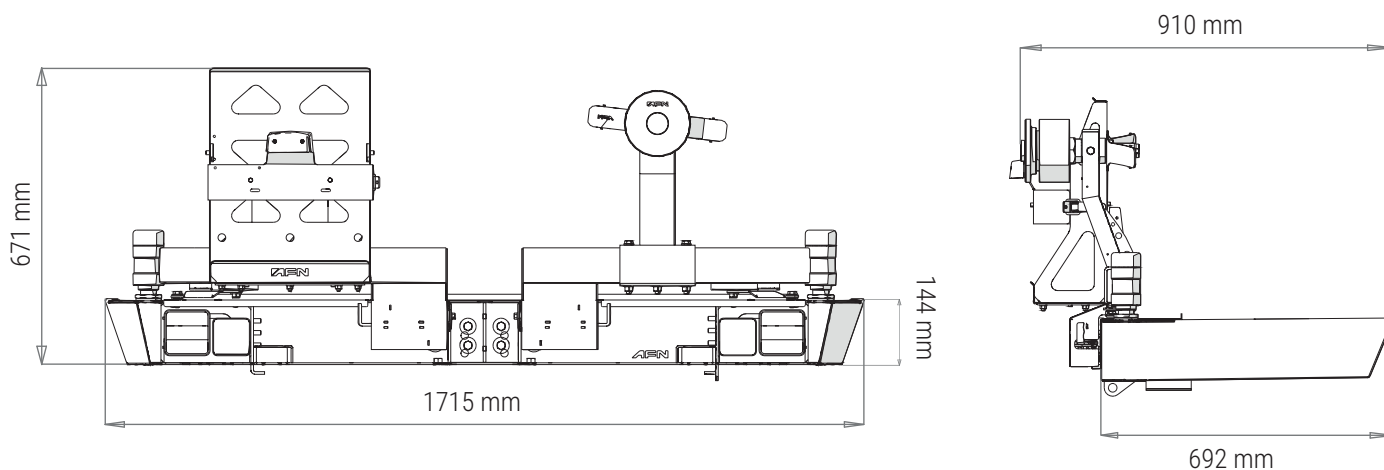
# PRODUCT SPECIFICATIONS



**48001536**

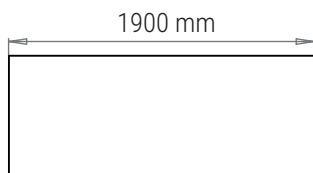
**REAR BUMPER; DOUBLE SUPPORT TYRE/JERRY CAN; BLACK P.C, STEEL**

TOYOTA LAND CRUISER 76



Weight: 88Kg

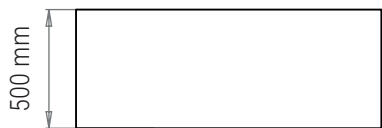
## PACKAGING FOR SHIPMENT



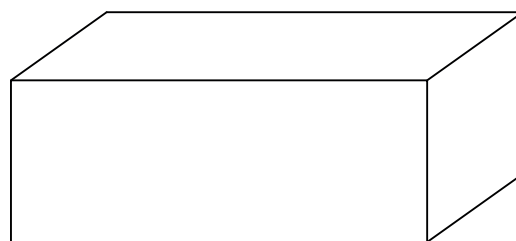
Length / Comprimento



Height / Altura

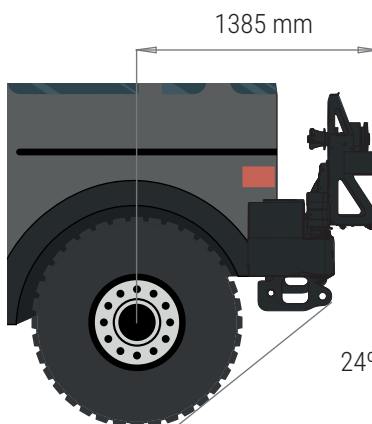


Width / Largura



Weight: 14 Kg

## APPROACH AND DEPARTURE ANGLES



\*referring to the original tire