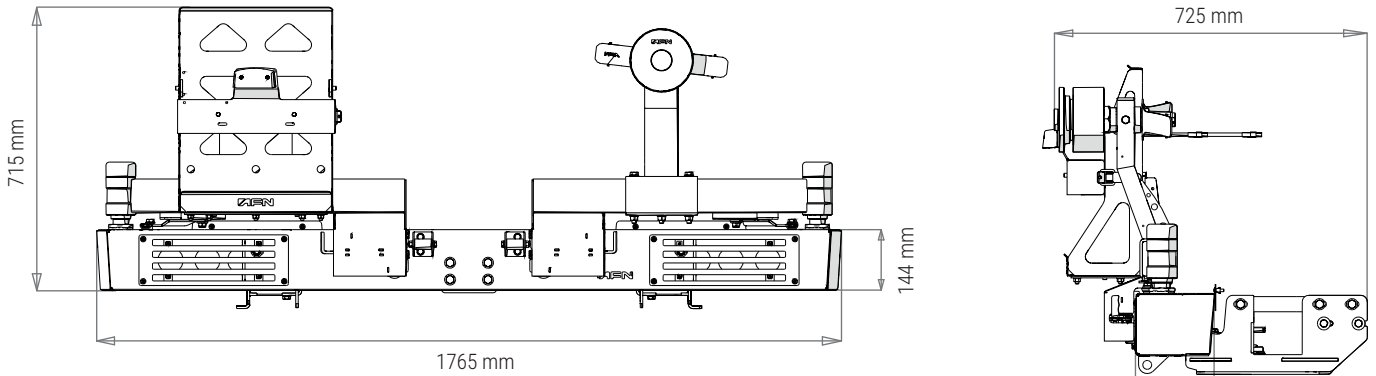


# PRODUCT SPECIFICATIONS



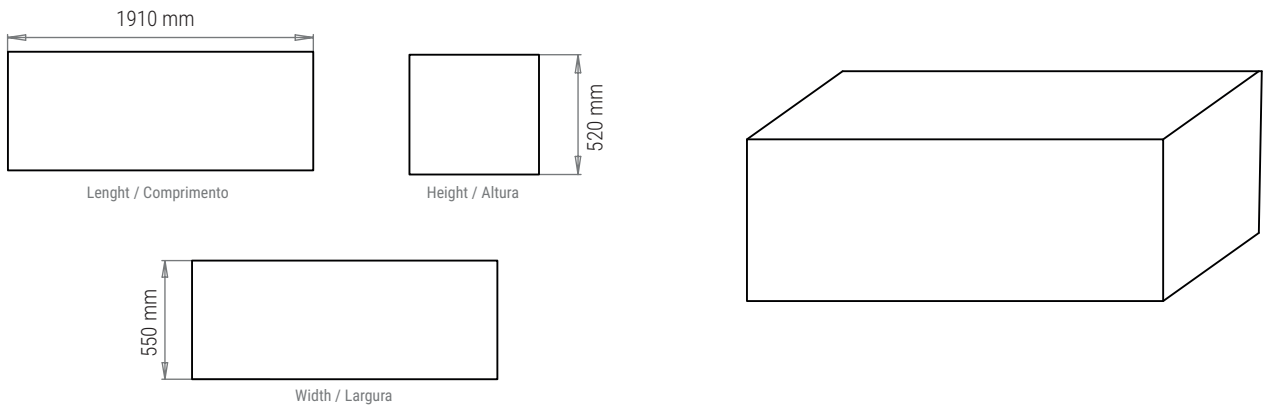
**48001476**

**REAR BUMPER; DOUBLE SUPPORT TYRE/JERRYCAN; BLACK.P.C.STEEL**  
TOYOTA LAND CRUISER 79



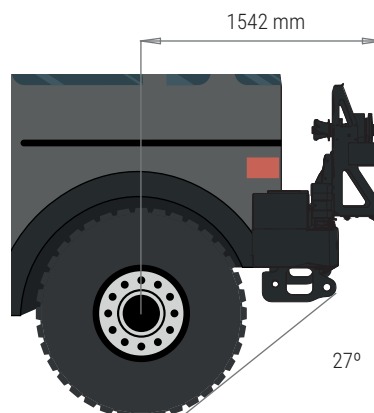
Weight: 95Kg

## PACKAGING FOR SHIPMENT



Weight: 14 Kg

## APPROACH AND DEPARTURE ANGLES



\*referring to the original tire